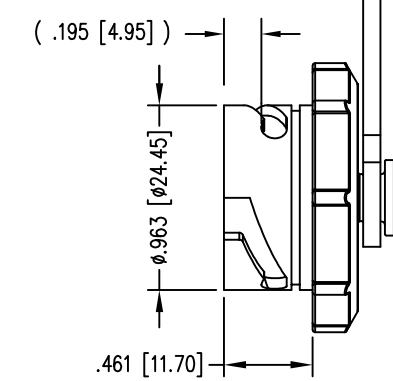
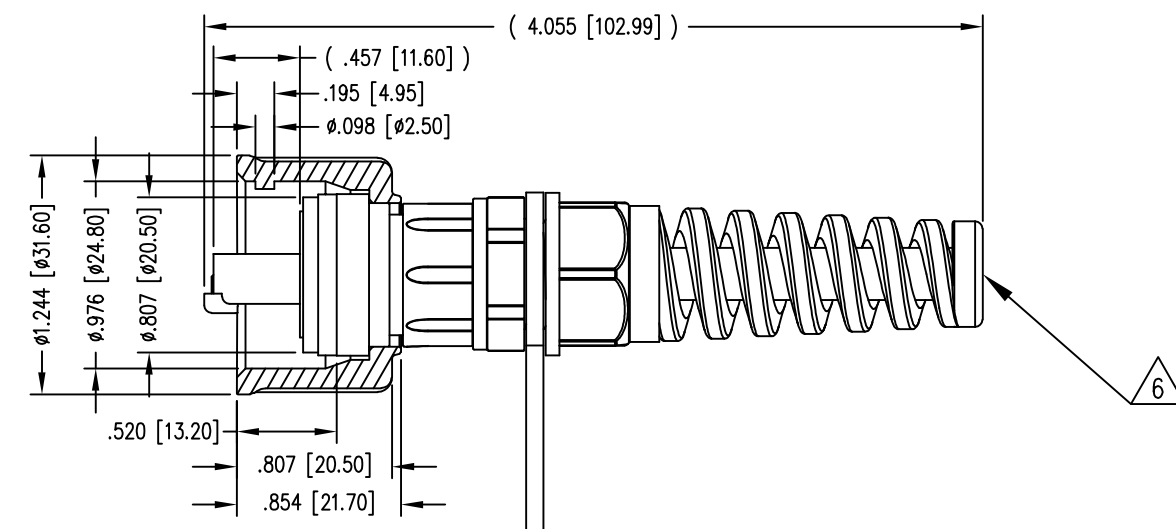
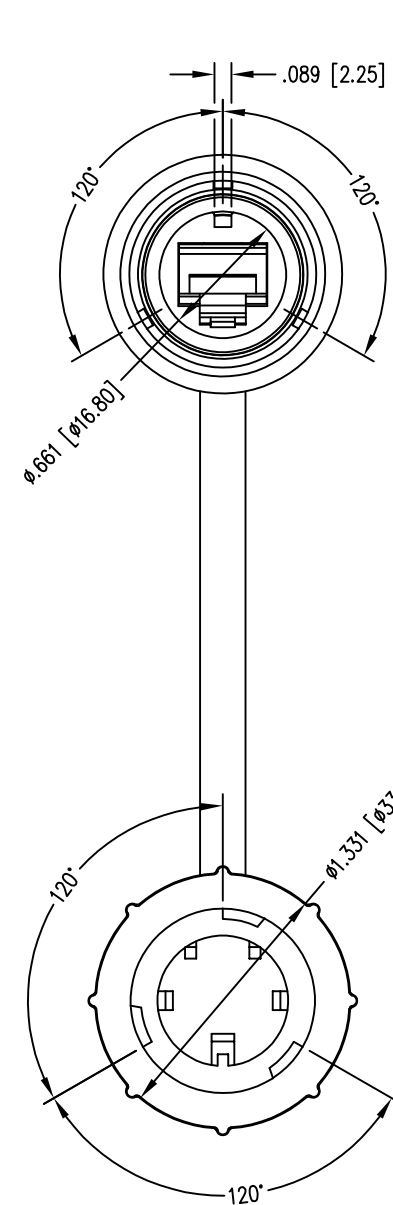
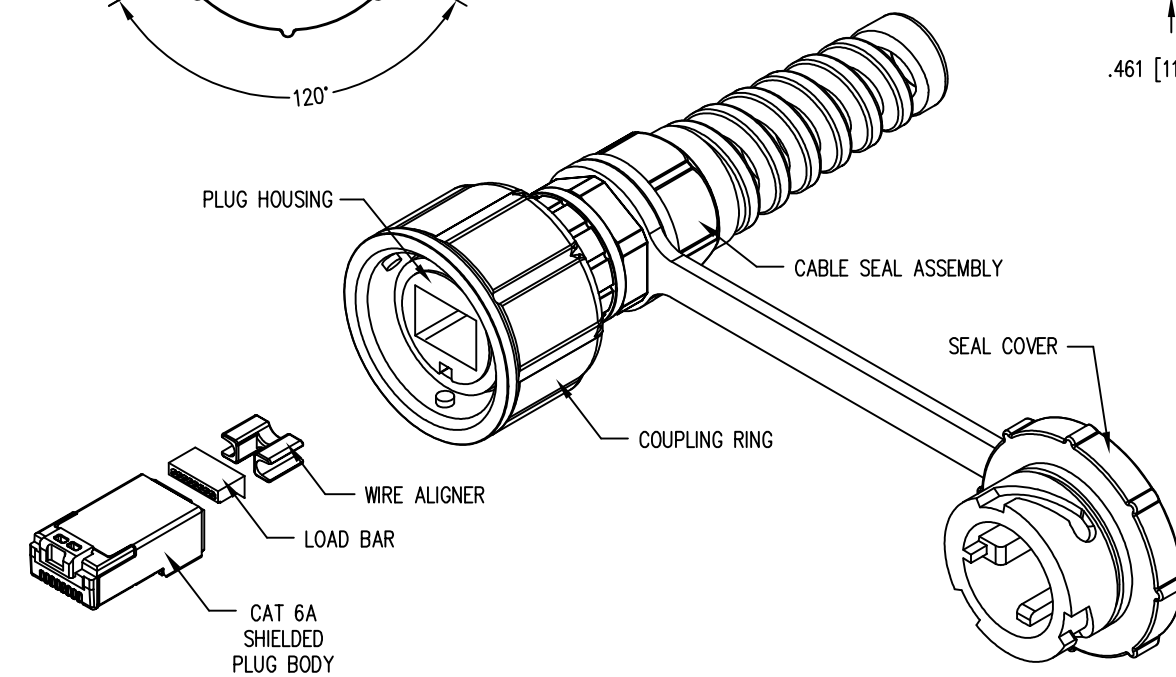


DATE	REV	ECN	APP'D. BY
09-09-20	A0	-	JME
09-23-20	A1	11621	BTS



- NOTES:
- MATERIALS:
 PLUG BODY: POLYCARBONATE UL94 V-0, COLOR: CLEAR
 PLUG HOUSING: HIGH IMPACT PLASTIC UL94 V-0, COLOR: BLACK
 WIRE ALIGNER: POLYCARBONATE UL94 V-0, COLOR: CLEAR
 LOAD BAR: POLYCARBONATE UL94 V-0, COLOR: CLEAR
 CONTACTS: COPPER ALLOY
 CONTACT PLATING: SELECTIVE GOLD OR EQUIVALENT IN THE CONTACT AREA
 SEE CHART FOR PART NUMBER
 SHIELD: COPPER ALLOY, NICKEL PLATE
 - CONTACTS TERMINATE SOLID OR STRANDED CONDUCTORS BETWEEN .033 [0.84] TO .038 [0.96] OUTSIDE DIAMETER OF INSULATION.
 - PLUG DIMENSIONS AND TOLERANCES COMPLY WITH TIA-1096 STANDARD.
 - DESIGNED FOR CATEGORY 6A APPLICATIONS.
 - INTERNATIONAL PROTECTION CODE MEETS IP67.
 - FOR $\phi 0.177 [4.5]$ MIN. - $\phi 0.307 [7.8]$ MAX. CABLE



SHIELDED	50 MICRO-INCHES [1.27um]	SS-39400-008
PLUG TYPE	CONTACT PLATING IN MATING AREA	PART NUMBER

THIRD ANGLE PROJECTION	 1118 Susquehanna Trail South Glen Rock, PA 17327-9199 (717) 235-7512 http://www.stewartconnector.com
DO NOT SCALE DRAWING DRAWING IS SUBJECT TO CHANGE WITHOUT NOTICE	
DIMENSIONS: INCHES [METRIC]	TITLE: INDUSTRIAL PLUG IP67 (FTP) CAT 6A WITH PLASTIC HOUSING AND SHIELDED PLASTIC HOUSING
UNLESS OTHERWISE SPECIFIED TOLERANCES ARE $\pm 0.005 [0.13]$ ANGLES ARE $\pm 1^\circ$	DRN BY: BTS DATE: 09-08-20
SHEET NO. 1 OF 1	APPD BY: JME DATE: 09-09-20
	DWG NO. CT390234 REV. A1

