

MATERIALS AND FINISHES

BODY, JAM NUT, CRIMP TUBE BRASS
PLATED NICKEL

CENTER CONTACT BERYLLIUM COPPER
PLATED GOLD

INSULATOR TEFLON

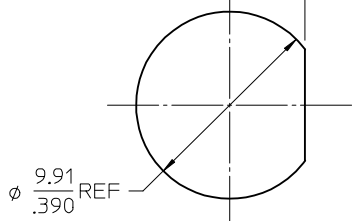
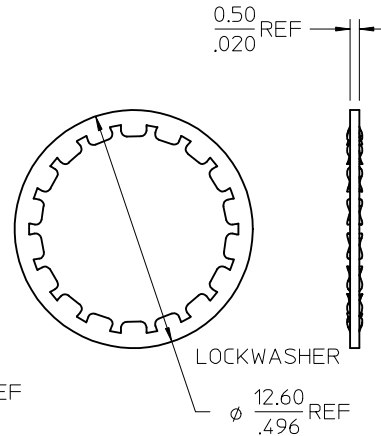
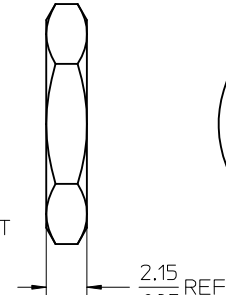
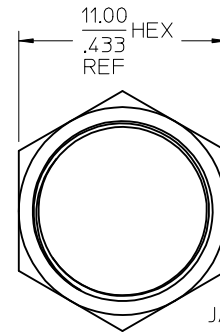
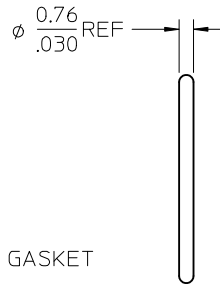
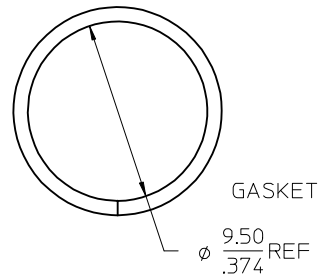
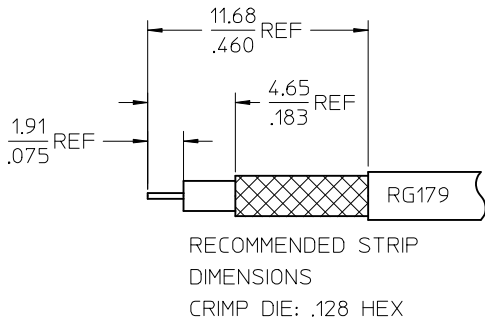
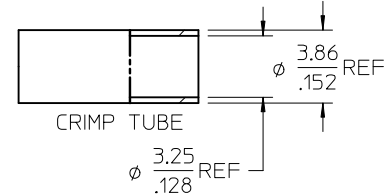
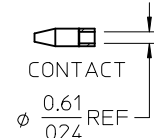
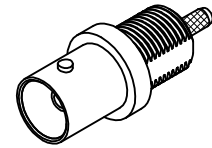
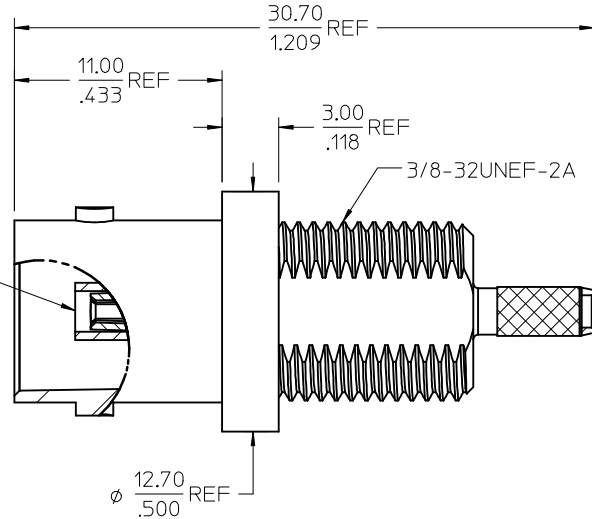
REAR CONTACT BRASS
PLATED GOLD

GASKETS SILICONE RUBBER

LOCKWASHER PHOSPHOR BRONZE
PLATED NICKEL

PACKAGING: BY TRAY

BNC JACK
NON-STANDARD
INTERFACE
MEETS
IEC 61010-1
CLAUSE 6.2.3
(WILL MATE
WITH STANDARD
BNC PLUG)



HARDWARE BULK PACKAGING:
O-RING, JAM NUT, & LOCKWASHER
PACKAGED IN SEPARATE BAGS 125 PCS EACH.

PART # 73171-2970

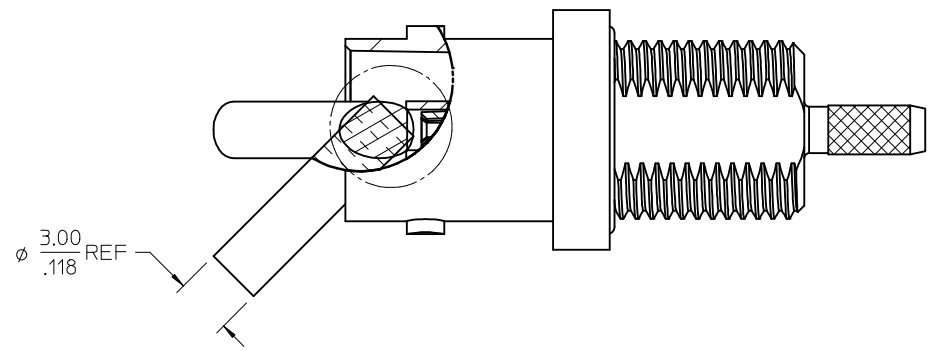
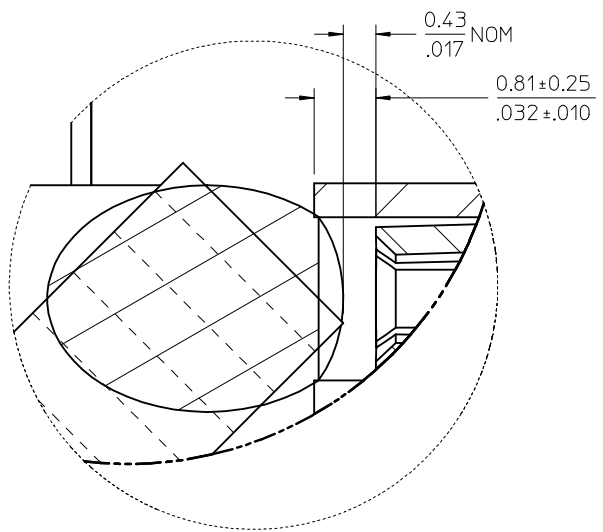
IP68	SEALING
AS-89511-0390	ASSEMBLY INSTRUCTION
SPECIFICATION	DESCRIPTION

CHG: ADDED PKG BY TRAY PER SAP PER RF16-E156	EC NO: URF2017-0139	2016/09/19
	DRWN: CME102	2016/09/19
CHKD:	APPR: YCHENG	2016/10/03
REV	A4	

QUALITY SYMBOLS ▽=0 ▽=0	GENERAL TOLERANCES (UNLESS SPECIFIED)	
	mm	INCH
	4 PLACES ±	--- ±
	3 PLACES ±	--- ±
	2 PLACES ±	--- ±
	1 PLACE ±	--- ±
	ANGULAR ± 2 °	
DRAFT WHERE APPLICABLE MUST REMAIN WITHIN DIMENSIONS		

DIMENSION STYLE		SCALE	DESIGN UNITS	THIRD ANGLE PROJECTION
MM/IN			METRIC	
DRAWN BY	DATE	TITLE		
AZR	2007/01/17	BNC JACK, NON-STANDARD INTERF RG179 IP68 75 OHM EWR-3276, BNC-JC/BK		
CHECKED BY	DATE	MOLEX MOLEX INCORPORATED		
SSS	2007/01/17			
APPROVED BY	DATE	MATERIAL NO.		
JDW	2007/01/17	731712970		
DOCUMENT NO.		SHEET NO.		
SD-73171-297		1 OF 2		

THIS DRAWING CONTAINS INFORMATION THAT IS PROPRIETARY TO MOLEX INCORPORATED AND SHOULD NOT BE USED WITHOUT WRITTEN PERMISSION



CHG: SEE SHT 1.	EC NO: URF2017-0139	2016/09/19
DRWN: CWE102	CHKD:	
APPR: YCHENG	2016/10/03	
REV	DESCRIPTION	
A4		

QUALITY SYMBOLS	▽=0
	▽=0
GENERAL TOLERANCES (UNLESS SPECIFIED)	
	mm INCH
4 PLACES ±	±
3 PLACES ±	±
2 PLACES ±	±
1 PLACE ±	±
ANGULAR ± 2 °	
DRAFT WHERE APPLICABLE MUST REMAIN WITHIN DIMENSIONS	

DIMENSION STYLE	
MM/IN	
DRAWN BY	DATE
AZR	2007/01/17
CHECKED BY	DATE
SSS	2007/01/17
APPROVED BY	DATE
JDW	2007/01/17
MATERIAL NO.	
SEE SHEET 1	
SIZE	
THIS DRAWING CONTAINS INFORMATION THAT IS PROPRIETARY TO MOLEX INCORPORATED AND SHOULD NOT BE USED WITHOUT WRITTEN PERMISSION	

SCALE	DESIGN UNITS	THIRD ANGLE PROJECTION
	METRIC	
TITLE		
BNC JACK, NON-STANDARD INTERF RG179 IP68 75 OHM EWR-3276, BNC-JC/BK		
MOLEX MOLEX INCORPORATED		SHEET NO.
DOCUMENT NO.		2 OF 2
SD-73171-297		

MATERIALS AND FINISHES

BODY, JAM NUT, CRIMP TUBE BRASS
PLATED NICKEL

CENTER CONTACT BERYLLIUM COPPER
PLATED GOLD

INSULATOR TEFLON

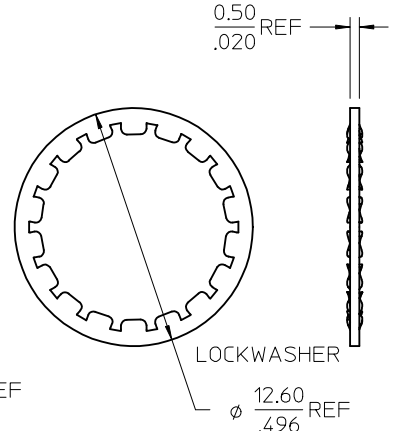
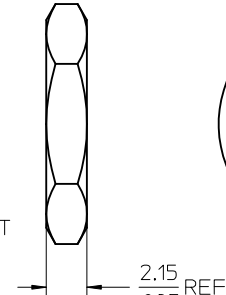
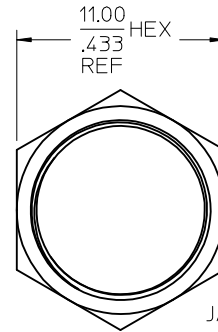
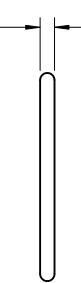
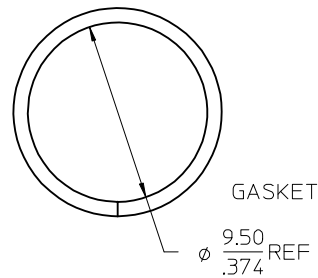
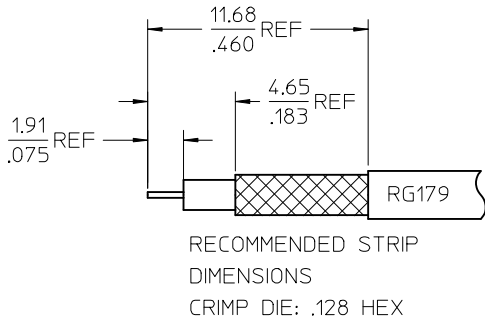
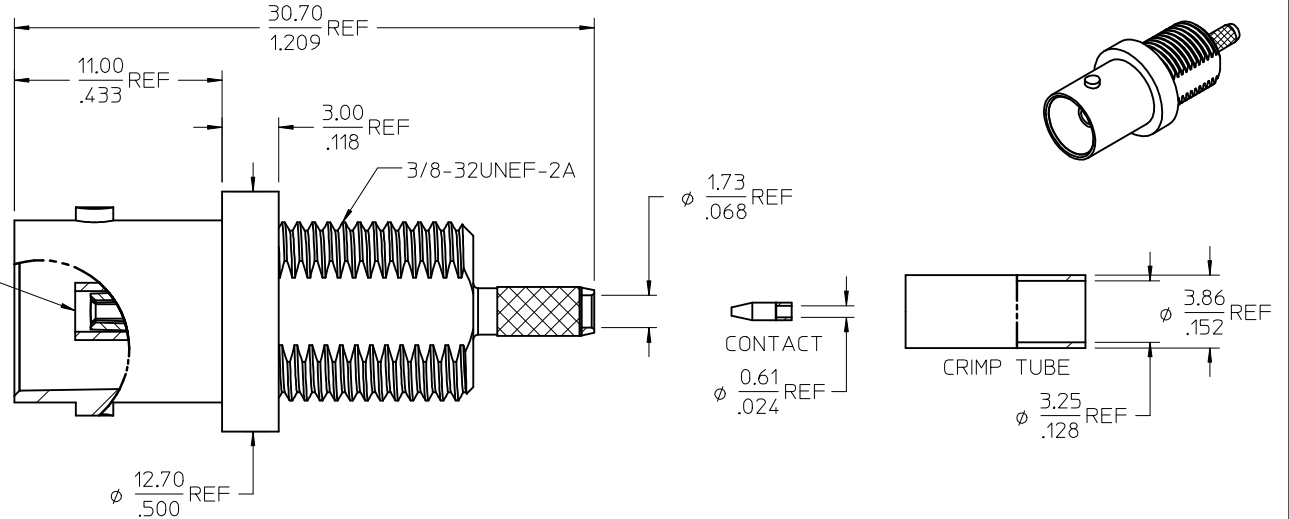
REAR CONTACT BRASS
PLATED GOLD

GASKETS SILICONE RUBBER

LOCKWASHER PHOSPHOR BRONZE
PLATED NICKEL

PACKAGING: BY TRAY

BNC JACK
NON-STANDARD
INTERFACE
MEETS
IEC 61010-1
CLAUSE 6.2.3
(WILL MATE
WITH STANDARD
BNC PLUG)

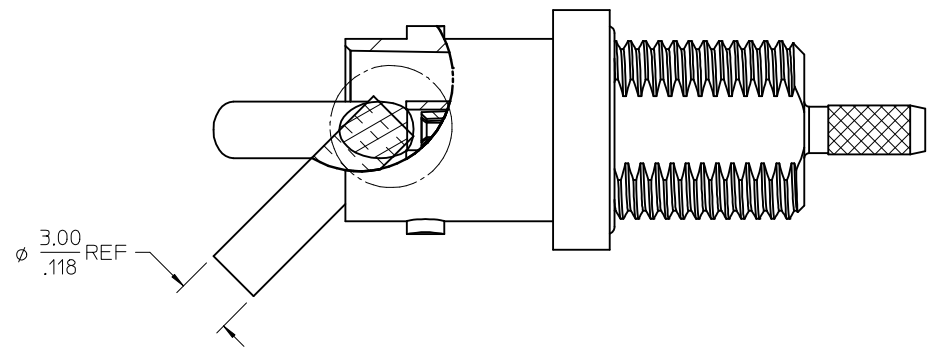
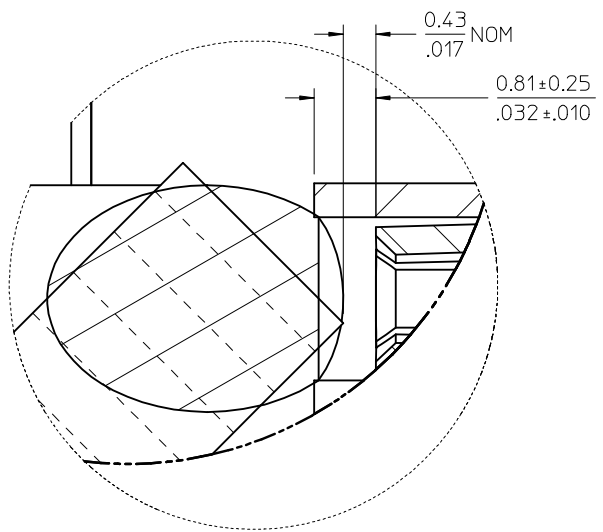


PART # 73171-2970

HARDWARE BULK PACKAGING:
O-RING, JAM NUT, & LOCKWASHER
PACKAGED IN SEPARATE BAGS 125 PCS EACH.

IP68	SEALING
AS-89511-0390	ASSEMBLY INSTRUCTION
SPECIFICATION	DESCRIPTION

<p>CHG: ADDED PKG BY TRAY PER SAP PER RF16-E156</p> <p>IEC NO: URF2017-0139 DRWN: CWE102 CHKD: APPR: YCHENG</p> <p>2016/09/19 2016/10/03</p>		<p>QUALITY SYMBOLS</p> <p>▽=0</p> <p>▽=0</p>	<p>GENERAL TOLERANCES (UNLESS SPECIFIED)</p> <table border="1"> <tr> <th></th> <th>mm</th> <th>INCH</th> </tr> <tr> <td>4 PLACES</td> <td>± .005</td> <td>± .0004</td> </tr> <tr> <td>3 PLACES</td> <td>± .003</td> <td>± .0002</td> </tr> <tr> <td>2 PLACES</td> <td>± .002</td> <td>± .0001</td> </tr> <tr> <td>1 PLACE</td> <td>± .001</td> <td>± .00005</td> </tr> </table> <p>ANGULAR ± 2 °</p>		mm	INCH	4 PLACES	± .005	± .0004	3 PLACES	± .003	± .0002	2 PLACES	± .002	± .0001	1 PLACE	± .001	± .00005	<p>DIMENSION STYLE</p> <p>MM/IN</p> <p>DRAWN BY DATE AZR 2007/01/17</p> <p>CHECKED BY DATE SSS 2007/01/17</p> <p>APPROVED BY DATE JDW 2007/01/17</p> <p>MATERIAL NO. 731712970</p> <p>SIZE C</p>	<p>SCALE</p> <p>DESIGN UNITS METRIC</p> <p>THIRD ANGLE PROJECTION</p> <p>TITLE BNC JACK, NON-STANDARD INTERF RG179 IP68 75 OHM EWR-3276, BNC-JC/BK</p> <p>MOLEX MOLEX INCORPORATED</p> <p>DOCUMENT NO. SD-73171-297</p> <p>SHEET NO. 1 OF 2</p>
	mm	INCH																		
4 PLACES	± .005	± .0004																		
3 PLACES	± .003	± .0002																		
2 PLACES	± .002	± .0001																		
1 PLACE	± .001	± .00005																		



$\phi \frac{3.00}{.118}$ REF

$\frac{0.43}{.017}$ NOM

$\frac{0.81 \pm 0.25}{.032 \pm .010}$

CHG: SEE SHT 1.
 EC NO: URF2017-0139
 DRWN: CWE102 2016/09/19
 CHKD:
 APPR: YCHENG 2016/10/03

REV	DESCRIPTION
A4	

QUALITY SYMBOLS	
	=0
	=0

GENERAL TOLERANCES (UNLESS SPECIFIED)	
4 PLACES	\pm ---
3 PLACES	\pm ---
2 PLACES	\pm ---
1 PLACE	\pm ---

DIMENSION STYLE		SCALE	DESIGN UNITS	THIRD ANGLE PROJECTION
MM/IN			METRIC	
DRAWN BY	DATE	TITLE		
AZR	2007/01/17	BNC JACK, NON-STANDARD		
CHECKED BY	DATE	INTERF RG179 IP68 75 OHM		
SSS	2007/01/17	EWR-3276, BNC-JC/BK		
APPROVED BY	DATE	MOLEX INCORPORATED		
JDW	2007/01/17	MOLEX INCORPORATED		
MATERIAL NO.		DOCUMENT NO.	SHEET NO.	
SEE SHEET 1		SD-73171-297	2 OF 2	
THIS DRAWING CONTAINS INFORMATION THAT IS PROPRIETARY TO MOLEX INCORPORATED AND SHOULD NOT BE USED WITHOUT WRITTEN PERMISSION				