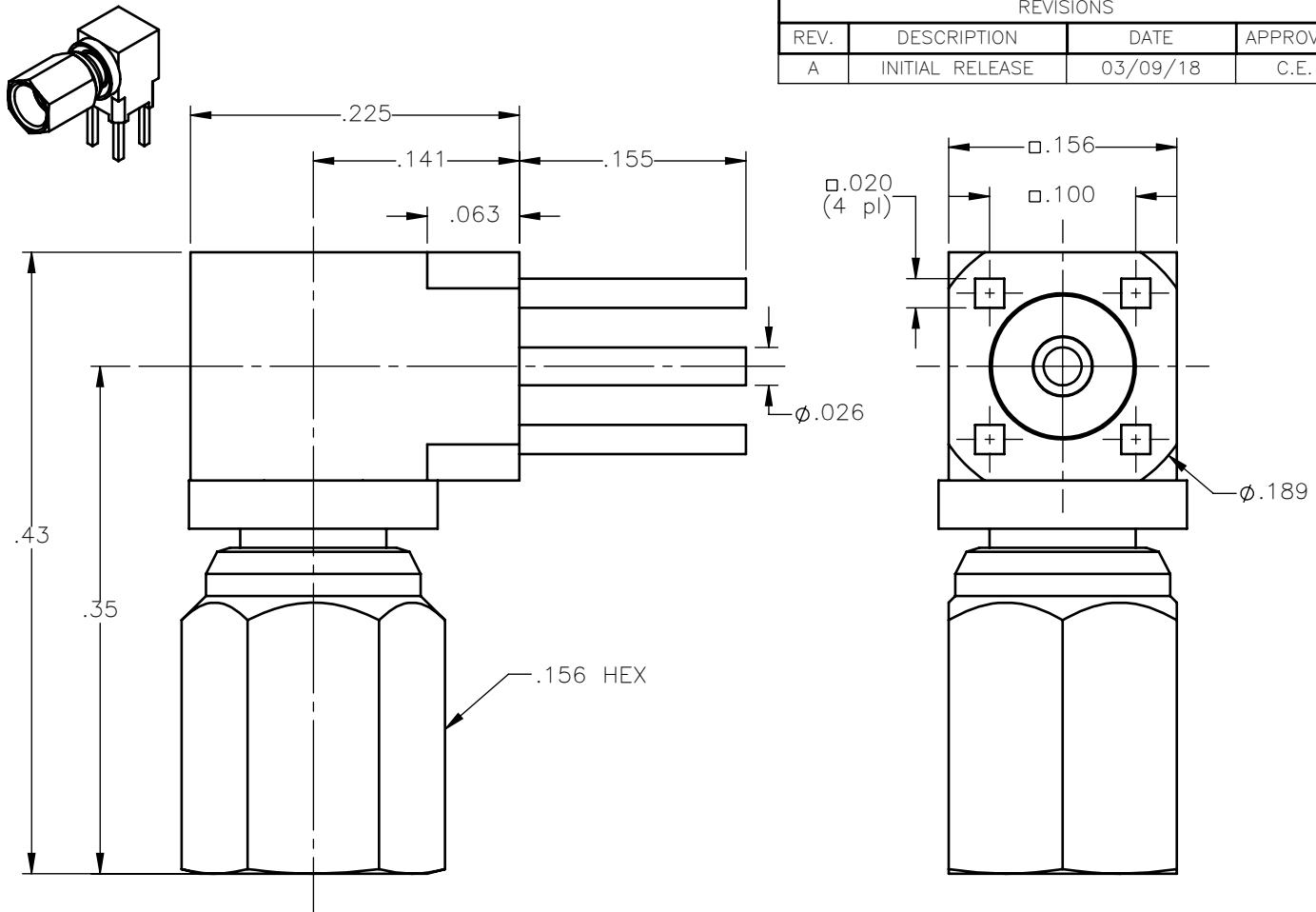


| REVISIONS | | | |
|-----------|-----------------|----------|----------|
| REV. | DESCRIPTION | DATE | APPROVED |
| A | INITIAL RELEASE | 03/09/18 | C.E. |




NOTES:

MATERIALS:

1. P.C.B. BODY & CAP = BRASS PER ASTM B16, ALLOY C36000, TEMPER H02.
2. INSULATORS = VIRGIN WHITE TEFLON PER ASTM D1710, GRADE 1, TYPE I, CLASS "B".
3. ALL OTHER METAL PARTS = BERYLLIUM COPPER PER ASTM B196, ALLOY C17300, TEMPER TD04.

FINISHES:

1. CONTACTS = GOLD PLATE PER MIL-G-45204, TYPE II, CLASS 1, GRADE C, OVER .00010 TO .00020 STRESS FREE SULFAMATE NICKEL PER QQ-N-290.
2. ALL OTHER METAL PARTS = GOLD PLATE PER MIL-G-45204, TYPE II, CLASS 0, GRADE C, OVER .00010 TO .00020 COPPER STRIKE PER MIL-C-14550.

| | | | | | |
|---|------------------------------------|------------------|---|---|--------------|
| UNLESS OTHERWISE SPECIFIED DIMENSIONS ARE IN INCHES TOLERANCES ON | DWN: C.E. | DATE 03/09/18 |  APPLIED ENGINEERING PRODUCTS 104 John W. Murphy Dr. New Haven, CT 06513 a RADIAL company | | |
| | CHKD: D.N. | DATE 03/09/18 | | | |
| DECIMAL | ANGLE | APVD: J.M. | DATE 03/09/18 | SSMC RIGHT ANGLE MALE JACK P.C.B. MOUNT RECEPTACLE | |
| REFERENCE: | MATERIALS & FINISHES: SEE NOTES | SIZE A | FSCM NO. 19505 | | |
| ORIGINATED: C.E. DATE: 03/09/18 | SCALE 8:1 | | THIRD ANGLE PROJECTION | | SHEET 1 OF 1 |

7042-1511-000