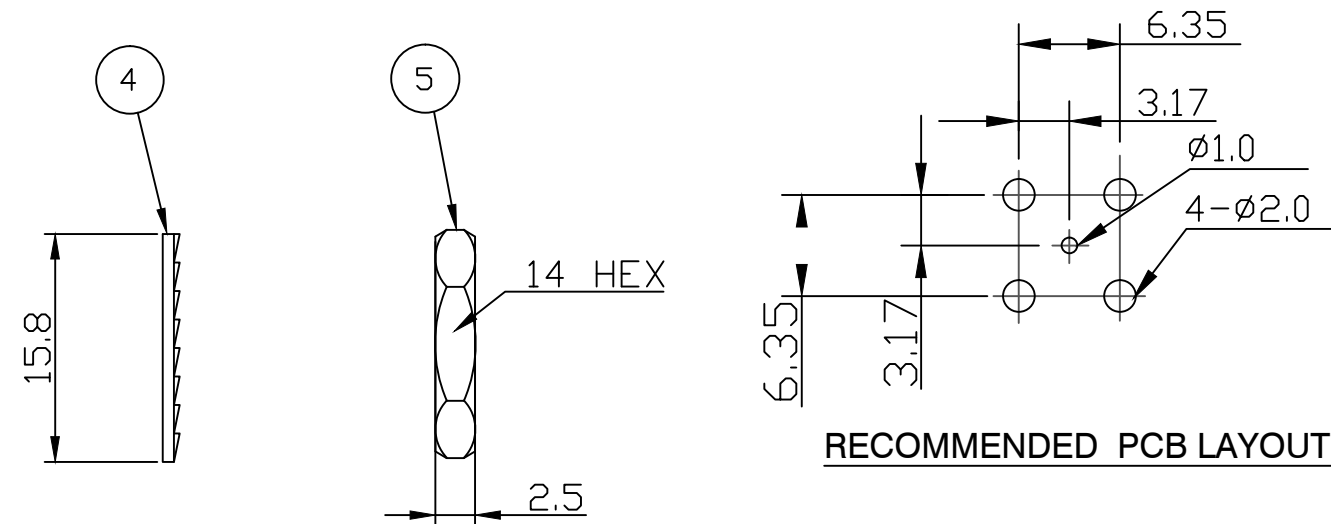
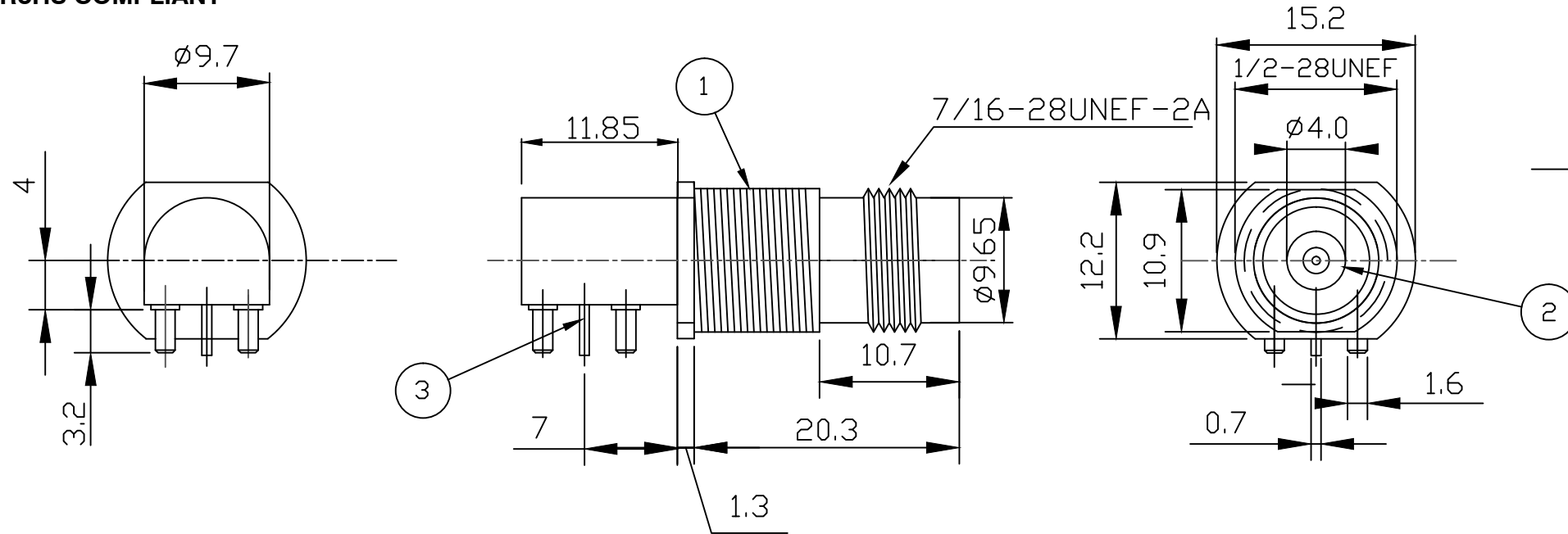


RoHS COMPLIANT



Electrical Characteristics

Nominal Impedance:	50 ohms
Frequency Range:	DC to 11 GHz
Operating Voltage (rms):	500 V maximum at sea level
Dielectric Withstand Voltage (rms):	1000 V maximum at sea level
Contact Resistance:	3.0 milliohms maximum
Insulation Resistance:	5000 megohms minimum
Current Rating:	3 Amps maximum

Mechanical Characteristics

Mating Cycles:	100 cycles minimum
Interface Dimensions:	Conform to MIL-C-39012
Panel Thickness:	Max 5mm

Environmental Characteristics

Temperature Range:	-55 °C to +85 °C
--------------------	------------------

	DESCRIPTION	MATERIAL	PLATING
1	Shell	Zinc alloy	Nickel
2	Insulator	Polypropylene	Natural
3	Socket contact	Phosphor Bronze	Gold
4	Lock Washer	Steel	Nickel
5	Hex Nut	Brass	Nickel

DESCRIPTION OF REVISION	APPVD	ISS	DATE
Material / Dimension Update - ECN D17509	MS	5	15 Oct 21
Material Name Update	MS	4	25 April 19
Dimension Update	JC	3	2 Sept 14
CAD Issue	SN	2	9 Jan 03
First Issue	AT	1	29 Nov 96



CINCH CONNECTIVITY SOLUTIONS
 11 Bilton Road,
 Chelmsford, Essex,
 CM1 2UP, UK.
 Tel: +44 (0) 1245 359515
 Fax: +44 (0) 1245 358938

SCALE: Not To Scale
 DIMENSIONS: mm
 TOLERANCES:
 ± 0.2mm unless
 otherwise stated

DRAWN BY: S Nash
 CHECKED BY: P Couzens
 APPROVED BY: P Couzens
 DATE: 09 Jan 03

TITLE:
**Shielded TNC PCB Mount
 R/A Jack**

PART NUMBER:
VTM511

PAGE: 1 of 1