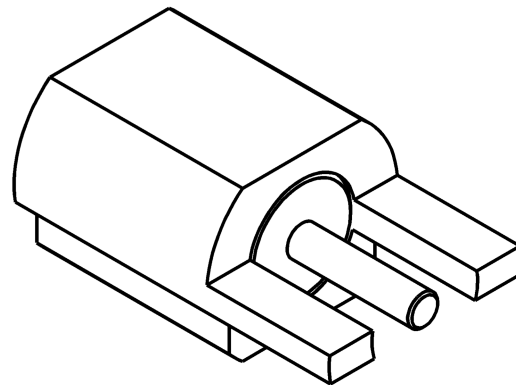
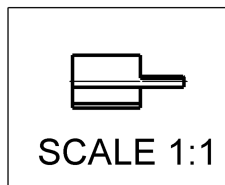
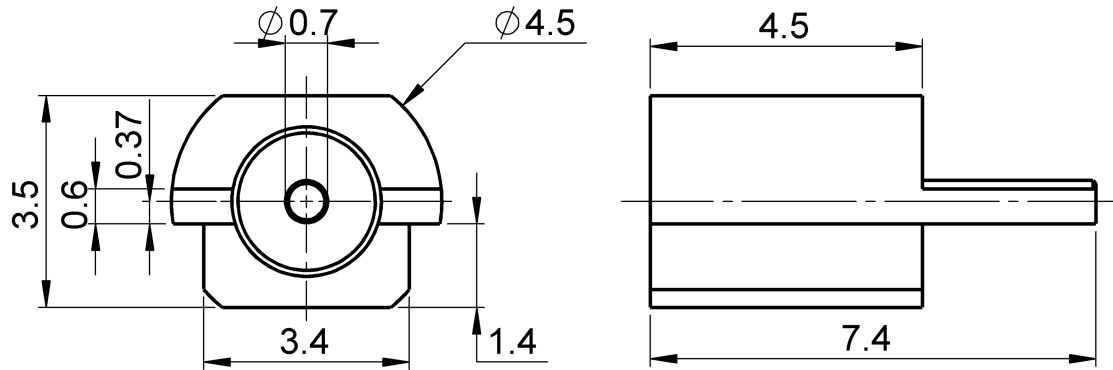
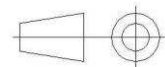


PAGE 1/5	ISSUE 1432B	SERIES <b>ECO MMCX</b>	PART NUMBER <b>R110A422830</b>
----------	-------------	------------------------	--------------------------------



All dimensions are in mm.



COMPONENTS	MATERIALS	PLATING (µm)
Body	<b>BRASS</b>	<b>GOLD</b>
Center contact	<b>BERYLIUM COPPER</b>	<b>GOLD</b>
Outer contact		
Insulator	<b>PTFE</b>	
Gasket		
Others parts		
-	-	-
-	-	-

PAGE 2/5	ISSUE 1432B	SERIES <b>ECO MMCX</b>	PART NUMBER <b>R110A422830</b>
----------	-------------	------------------------	--------------------------------

**PACKAGING**

Standard	Unit	Other
<b>1500</b>	<b>Contact us</b>	<b>Contact us</b>

**ELECTRICAL CHARACTERISTICS**

Impedance		<b>50</b>	$\Omega$
Frequency		<b>0-3</b>	GHz
VSWR	<b>1.35</b>	<b>+</b>	<b>0</b> x F(GHz) Maxi
Insertion loss		<b>0.1</b>	$\sqrt{F}$ (GHz) dB Maxi
RF leakage		<b>NA</b>	- F(GHz)) dB Maxi
Voltage rating		<b>250</b>	Veff Maxi
Dielectric withstanding voltage		<b>500</b>	Veff mini
Insulation resistance		<b>1000</b>	M $\Omega$ mini

**ENVIRONMENTAL**

Operating temperature	<b>-40/+85</b>	$^{\circ}\text{C}$
Hermetic seal	<b>NA</b>	Atm.cm3/s
Panel leakage	<b>NA</b>	

**MECHANICAL CHARACTERISTICS**

Center contact retention			
Axial force – Mating End		<b>7</b>	N mini
Axial force – Opposite end		<b>7</b>	N mini
Torque		<b>NA</b>	N.cm mini

**SPECIFICATION**

**OTHER CHARACTERISTICS**

Recommended torque			
Mating		<b>NA</b>	N.cm
Panel nut		<b>NA</b>	N.cm

Assembly instruction:

Mating life		<b>100</b>	Cycles mini
Weight		<b>0.35</b>	g

Others:

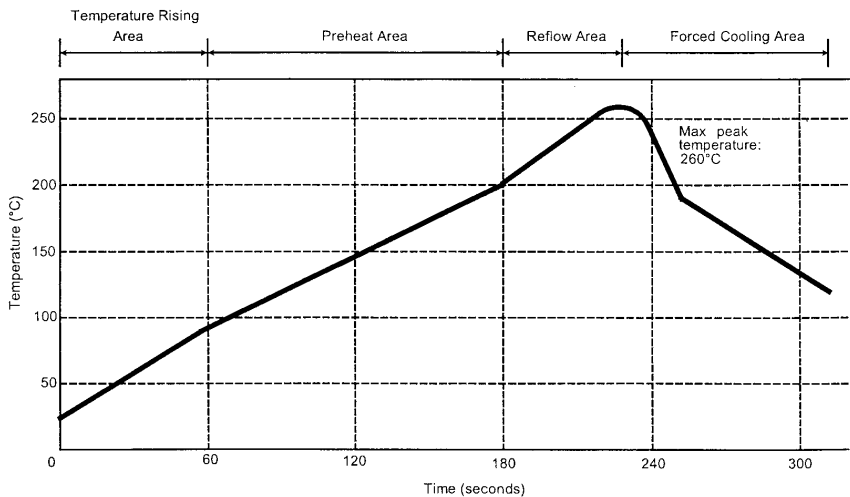
PAGE 3/5	ISSUE 1432B	SERIES ECO MMCX	PART NUMBER R110A422830
----------	-------------	-----------------	-------------------------

### SOLDER PROCEDURE

1. Deposit solder paste 'SnAg4Cu0.5' on mounting zone by screen printing application. We recommend a low residue flux. We advise a thickness of 150 micromm ( 5.850 microinch ). Verify that the edges of the zone are clean.
2. Placement of the receptacle on the mounting zone with an automatic machine of 'pick and place' type. A video camera is recommended for positioning of the component . Adhesive agents must not be used on the receptacle.
3. This process of soldering has been tested with convection oven .Below please find ,the typical profile to use.
4. The cleaning of printed circuit boards is not obliged .

Verification of solder joints and position of the component by visual inspection.

### TEMPERATURE PROFILE

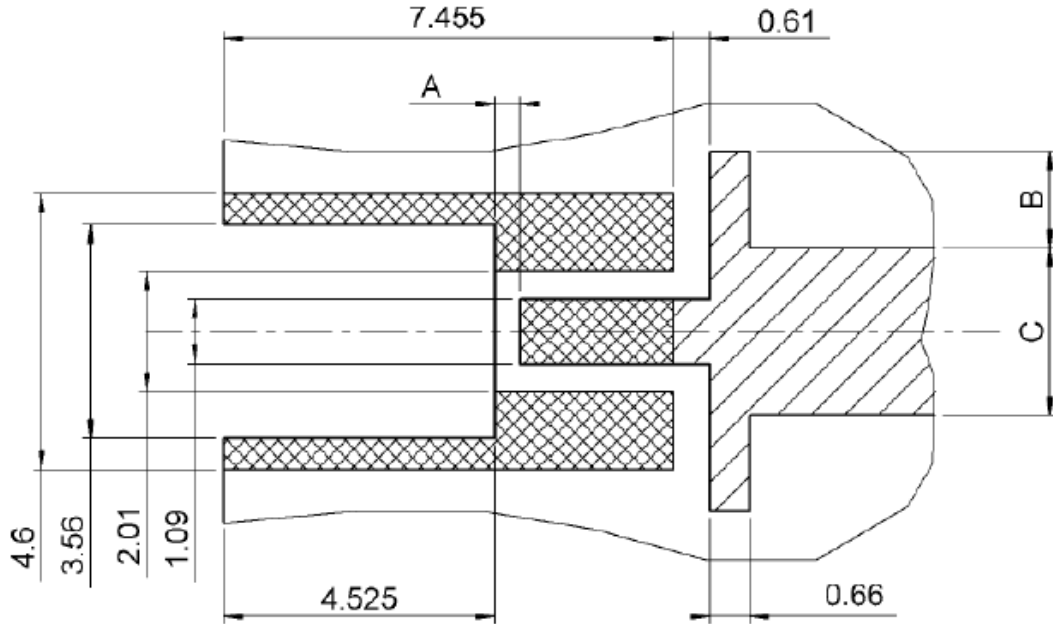


Parameter	Value	Unit
Temperature rising Area	1 - 4	°C/sec
Max Peak Temperature	260	°C
Max dwell time @260°C	10	sec
Min dwell time @235°C	20	sec
Max dwell time @235°C	60	sec
Temperature drop in cooling Area	-1 to - 4	°C/sec
Max dwell time above 100°C	420	sec

PAGE 4/5	ISSUE 1432B	SERIES ECO MMCX	PART NUMBER R110A422830
----------	-------------	-----------------	-------------------------

PCB

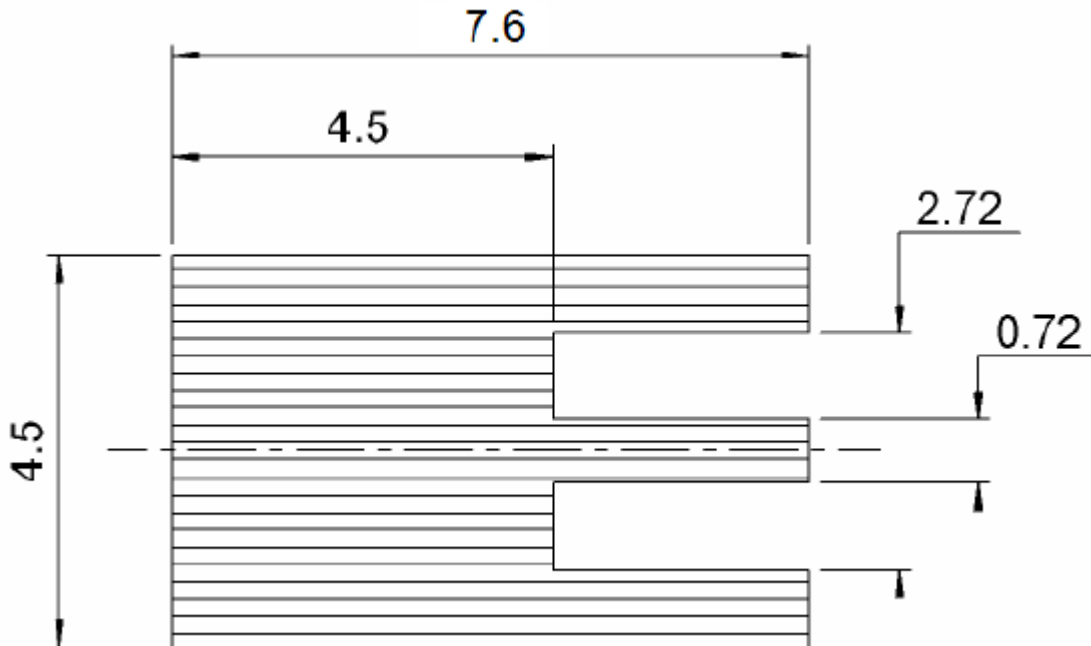
**PCB PATTERN**



-  PATTERN
-  AREA FOR SOLDER PASTE

PCB THICKNESS	A	B	C
0.79	0.99	-	1.4
0.99	0.89	0.3	1.8
1.6	0.41	1.6	2.79

**SHADOW OF MCX RECEPTACLE FOR VIDEO CAMERA**



PAGE 5/5	ISSUE 1432B	SERIES ECO MMCX	PART NUMBER R110A422830
----------	-------------	-----------------	-------------------------

