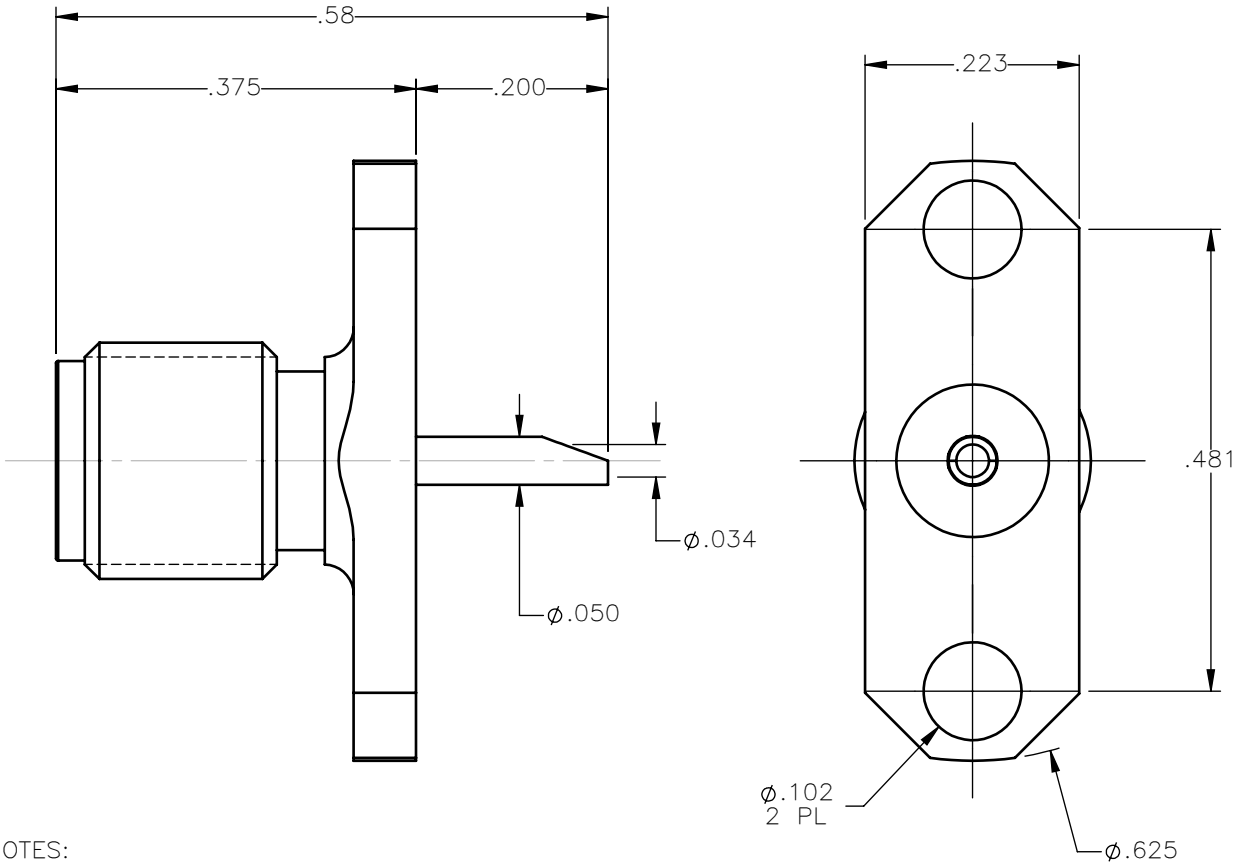


REVISIONS			
REV.	DESCRIPTION	DATE	APPROVED
A	INITIAL RELEASE	03/13/17	N.D.





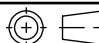
NOTES:

MATERIALS:

1. BODY = STAINLESS STEEL PER ASTM A582, ALLOY 303, CONDITION "A".
2. INSULATOR = VIRGIN WHITE TEFLON PER ASTM D1710, GRADE 1, TYPE I, CLASS "B".
3. CONTACT = BERYLLIUM COPPER PER ASTM B196, ALLOY C17300, TEMPER TD04.

FINISHES:

1. BODY = GOLD PLATE PER ASTM B488-11, TYPE II, 30 $\mu$ in MIN, GRADE C, OVER 50 TO 100 $\mu$ in STRESS FREE NICKEL PER AMS-QQ-N-290.
2. CONTACT = GOLD PLATE PER ASTM B488-11, TYPE II, 50 $\mu$ in MIN, GRADE C, OVER 100 TO 200 $\mu$ in STRESS FREE SULFAMATE NICKEL PER AMS-QQ-N-290.

UNLESS OTHERWISE SPECIFIED DIMENSIONS ARE IN INCHES TOLERANCES ON	DWN: N.D.	DATE 03/13/17	 Property of Radiall This document cannot be reproduced or communicated to a third party without prior written permission of RADIALL.		
	CHKD: D.N.	DATE 03/13/17			
DECIMAL	ANGLE	APVD: J.M.	DATE 03/13/17	<b>SMA STRAIGHT PANEL JACK 2 HOLE FLANGE MOUNT SOLDER POT CONTACT</b>	
REFERENCE:	MATERIALS AND FINISHES: SEE NOTES	SIZE A	FSCM NO. 19505		DWG NO. 9408-1113-002
ORIGINATED: N.D. DATE: 03/13/17		SCALE 5:1	THIRD ANGLE PROJECTION		SHEET 1 OF 1

9408-1113-002