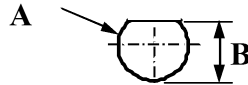
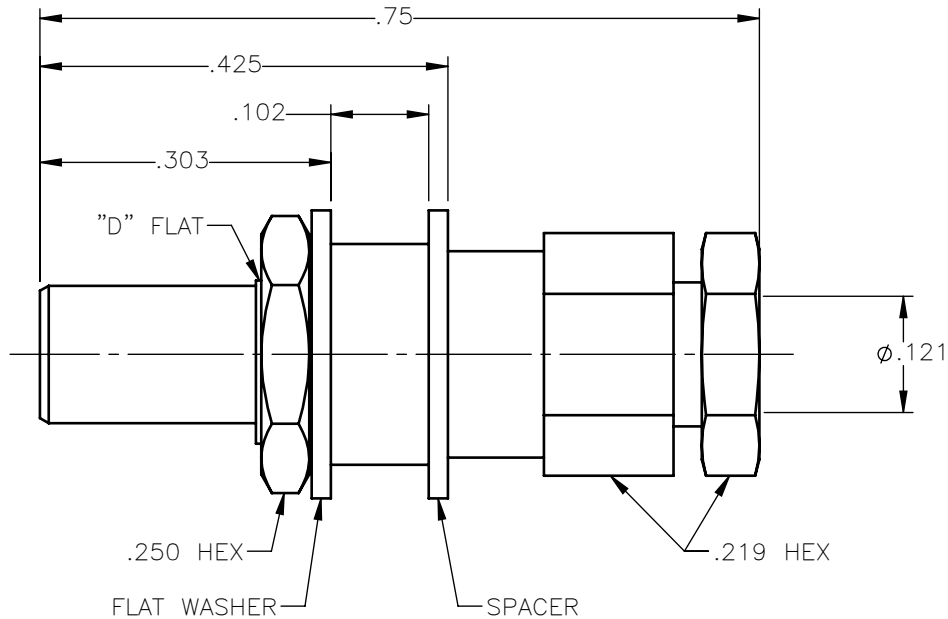


PANEL CUT OUT



inches		
	Maxi	mini
A	.198	.192
B	.183	.177

REVISIONS			
REV.	DESCRIPTION	DATE	APPROVED
A	INITIAL RELEASE	04/13/18	C.E.






NOTES:

MATERIALS:

- INSULATORS = VIRGIN WHITE TEFLON PER ASTM D1710, GRADE 1, TYPE I, CLASS "B".
- ALL OTHER METAL PARTS = BRASS PER ASTM B16, ALLOY C36000, TEMPER H02.

FINISHES:

- CONTACT = GOLD PLATE PER ASTM B488-11, TYPE II, 50µin MIN, GRADE C, OVER 100 TO 200µin STRESS FREE SULFAMATE NICKEL PER AMS-QQ-N-290.
- ALL OTHER METAL PARTS = GOLD PLATE PER ASTM B488-11, TYPE II, 30µin MIN, GRADE C OVER 100 TO 200µin COPPER STRIKE PER AMS 2418.

UNLESS OTHERWISE SPECIFIED DIMENSIONS ARE IN INCHES TOLERANCES ON	DWN: C.E.	DATE: 04/13/18	 Property of Radiall This document cannot be reproduced or communicated to a third party without prior written permission of RADIALL.				
	CHKD: D.N.	DATE: 04/13/18					
DECIMAL	ANGLE	APVD: J.M.	DATE: 04/13/18	SLB STRAIGHT MALE JACK BULKHEAD FLOAT MOUNT CLAMP TYPE FOR RG-316 & SIMILAR CABLES			
REFERENCE:	MATERIALS & FINISHES:	SEE NOTES	<table border="1"> <tr> <td>SIZE: A</td> <td>FSCM NO.: 19505</td> <td>DWG NO.: 3003-1551-703</td> <td>REV: A</td> </tr> </table>		SIZE: A	FSCM NO.: 19505	DWG NO.: 3003-1551-703
SIZE: A	FSCM NO.: 19505	DWG NO.: 3003-1551-703	REV: A				
ORIGINATED: C.E. DATE: 04/13/18			SCALE: 5:1	THIRD ANGLE PROJECTION 			
			SHEET 1 OF 1				

3003-1551-703