

MATERIALS AND FINISHES:  
SEE SD-73415-106

73366-6331	THIS IS P/N: 73415-1061 FOR SMALL QTY TAPE PACKAGING	PER P/N 89542-0391
73366-6330	THIS IS P/N: 73415-1063 PLACED IN A SINGLE BAG WITH LABEL	PER P/N 89542-0087
PART NO.	DESCRIPTION	PACKAGING

LABEL WITH EACH BAG  
FOR 73366-6330

PART NUMBER: 73415-1063  
ORDER NUMBER: 73366-6330  
MOLEX  
DATE: YYWW

LABEL WITH EACH BAG  
FOR 73366-6331

PART NUMBER: 73415-1061  
ORDER NUMBER: 73366-6331  
MOLEX  
DATE: YYWW

FUNCTIONAL SYMBOLS	THIS DRAWING CONTAINS INFORMATION THAT IS PROPRIETARY TO MOLEX ELECTRONIC TECHNOLOGIES, LLC AND SHOULD NOT BE USED WITHOUT WRITTEN PERMISSION												
	DIMENSION UNITS	SCALE	CURRENT REV DESC: ADD 73366-6330, -6331 PKG LABEL PER EWR14242I								<b>molex</b>		
$\frac{F}{A} = 0$	IN/MM	NTS	GENERAL TOLERANCES (UNLESS SPECIFIED)		EC NO: 661119					MCX JACK EDGELAUNCH SMT PCB MCX-J/PCB			
$\frac{F}{C} = 0$	ANGULAR TOL $\pm$ °		4 PLACES $\pm$		DRWN: CWEI02 2021/03/29								
$\frac{F}{P} = 0$	DIVISIONAL SYMBOLS		3 PLACES $\pm$		CHK'D: YCHENG 2021/05/07					PRODUCT CUSTOMER DRAWING			
2 PLACES $\pm$		APPR: YCHENG 2021/05/07											
1 PLACE $\pm$		INITIAL REVISION:			DRWN: AROBERTSON 2011/05/04					DOCUMENT NUMBER	DOC TYPE	DOC PART	REVISION
0 PLACES $\pm$		DRAFT WHERE APPLICABLE MUST REMAIN WITHIN DIMENSIONS			THIRD ANGLE PROJECTION		DRAWING	SERIES	MATERIAL NUMBER	CUSTOMER	SHEET NUMBER		
				C-SIZE	73366	SEE TABLE	GENERAL MARKET	SD-73366-633	PSD	001	A2	1 OF 1	

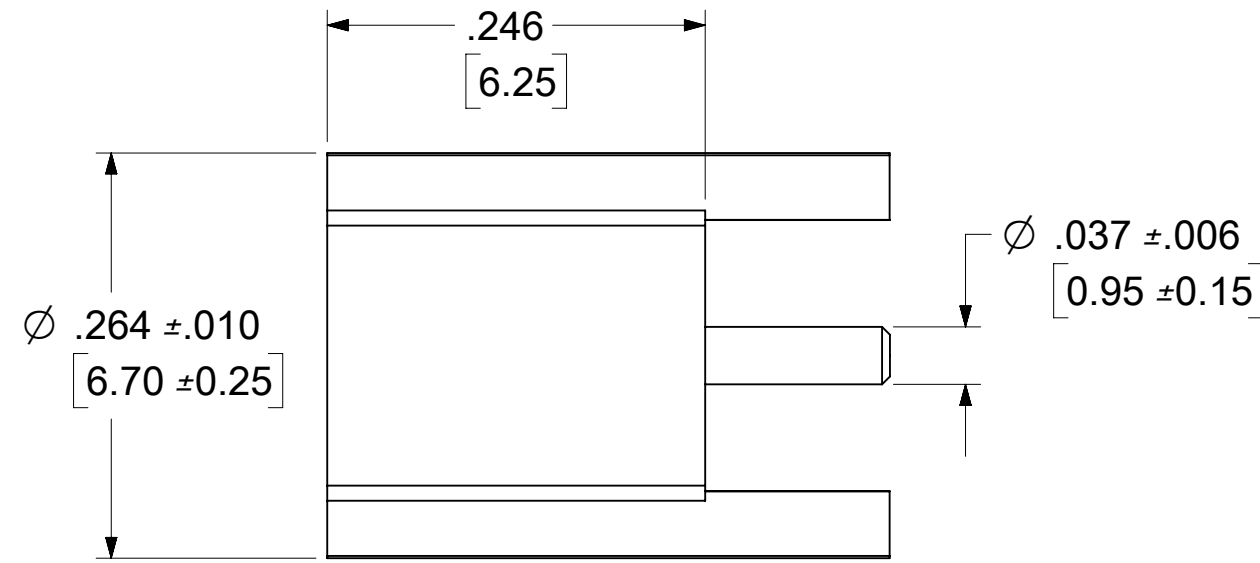
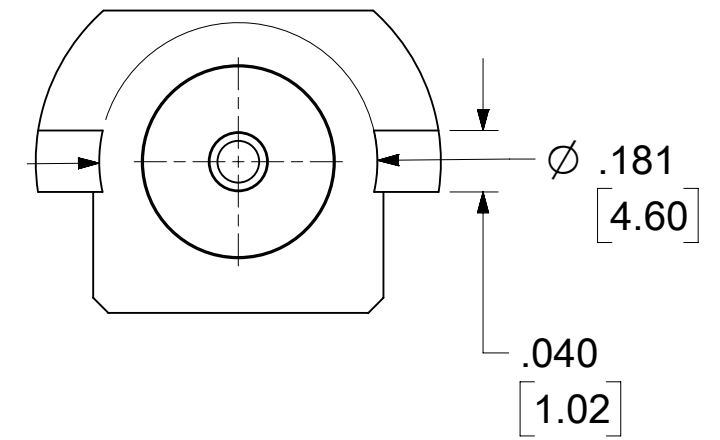
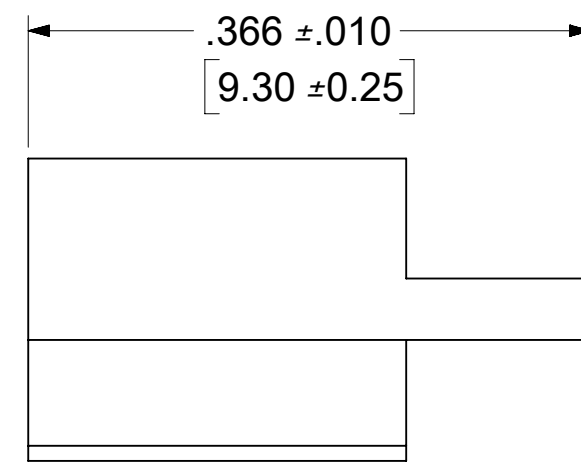
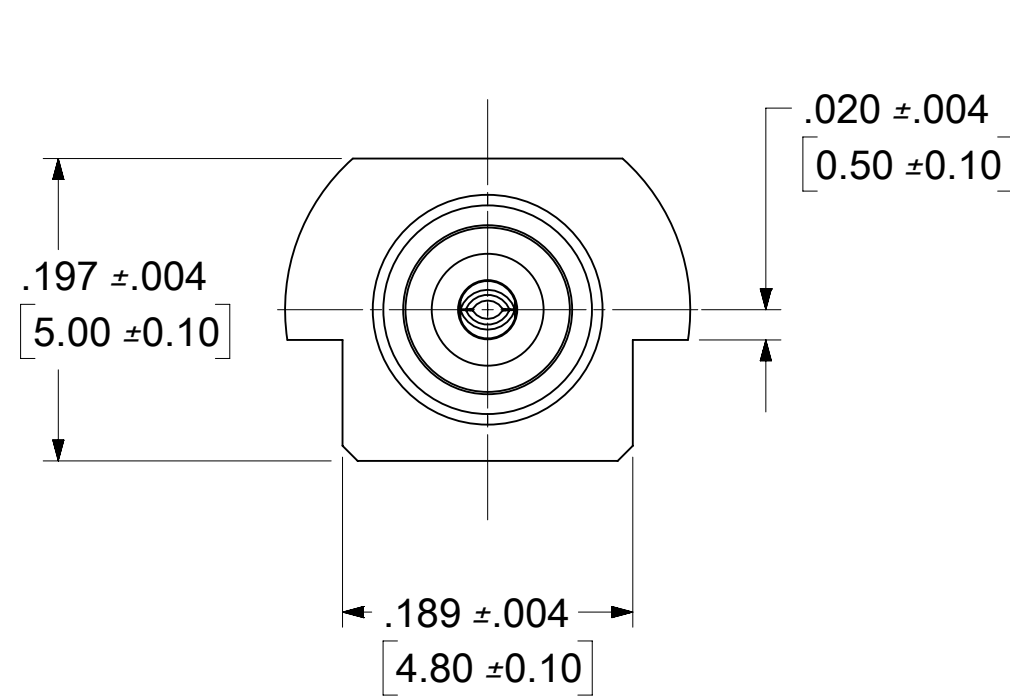
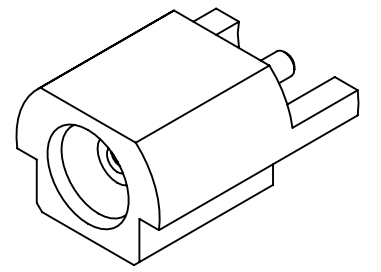
DOCUMENT STATUS	P1	RELEASE DATE	2021/05/07 07:25:25
-----------------	----	--------------	---------------------

MATERIALS AND FINISHES:

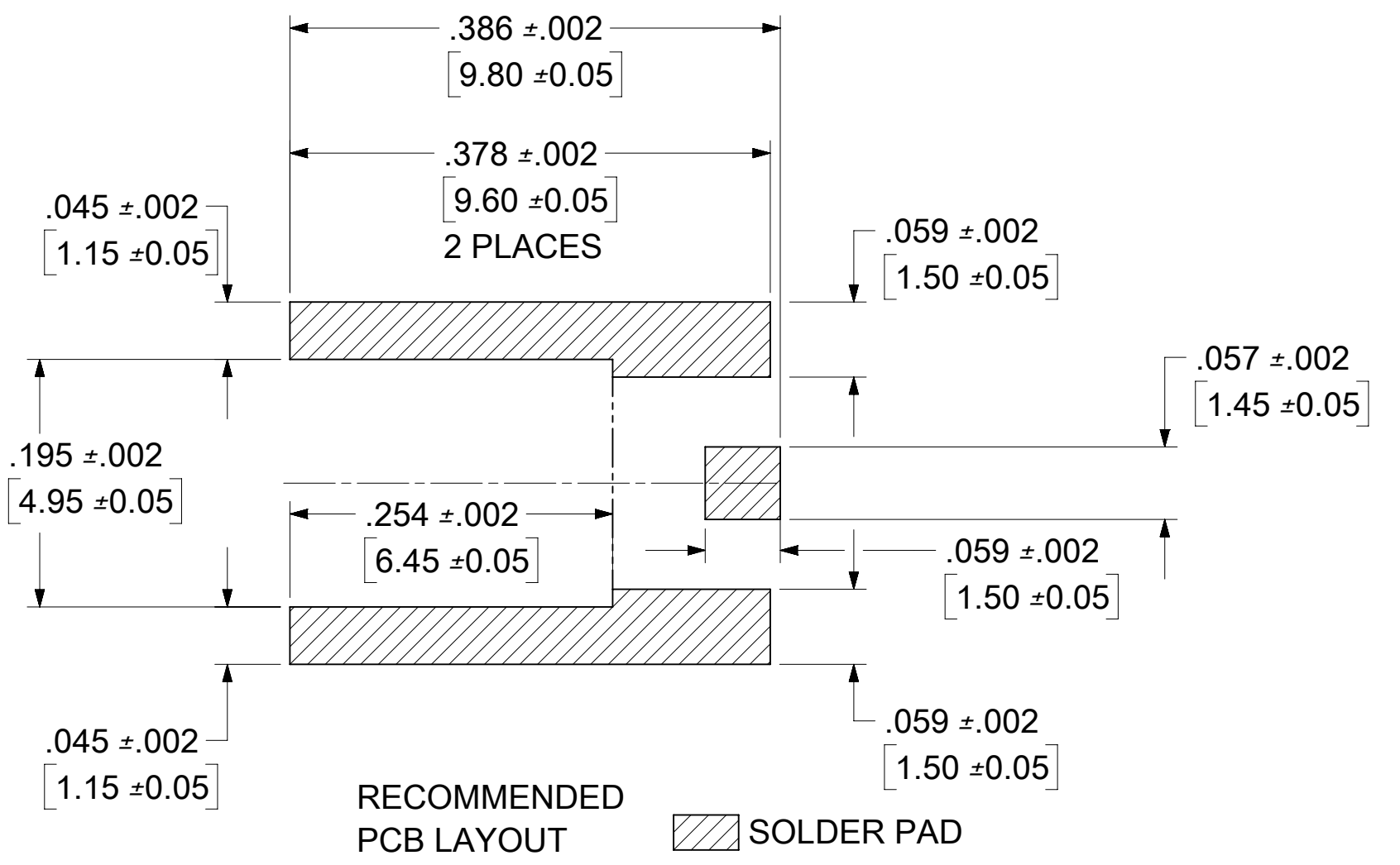
BODY: BRASS  
PLATED SEE TABLE

CONTACT: BERYLLIUM COPPER  
PLATED GOLD

INSULATOR: TEFLON



73366-6331	GOLD (30µ")	73415-1061 FOR TAPE SMALL QTY, PER P/N 89542-0391
73366-6330	GOLD FLASH	ONE PIECE, PER BAG PER P/N 89542-0087
73415-1069	GOLD (5µ")	TAPE & REEL, SEE SHEET 2 & 3
73415-1068	GOLD (5µ")	TRAY PER P/N 89542-0040
73415-1067	TRI-M	SMALL TRAY PER P/N 89542-0200
73415-1066	TRI-M	TAPE & REEL, SEE SHEET 2 & 3
73415-1065	TRI-M	TRAY PER P/N 89542-0040
73415-1064	GOLD FLASH	TAPE & REEL, SEE SHEET 2 & 3
73415-1063	GOLD FLASH	TRAY PER P/N 89542-0040
73415-1062	GOLD (30µ")	SMALL TRAY PER P/N 89542-0200
73415-1061	GOLD (30µ")	TAPE & REEL, SEE SHEET 2 & 3
73415-1060	GOLD (30µ")	TRAY PER P/N 89542-0040
PART NO.	BODY PLATING	PACKAGING



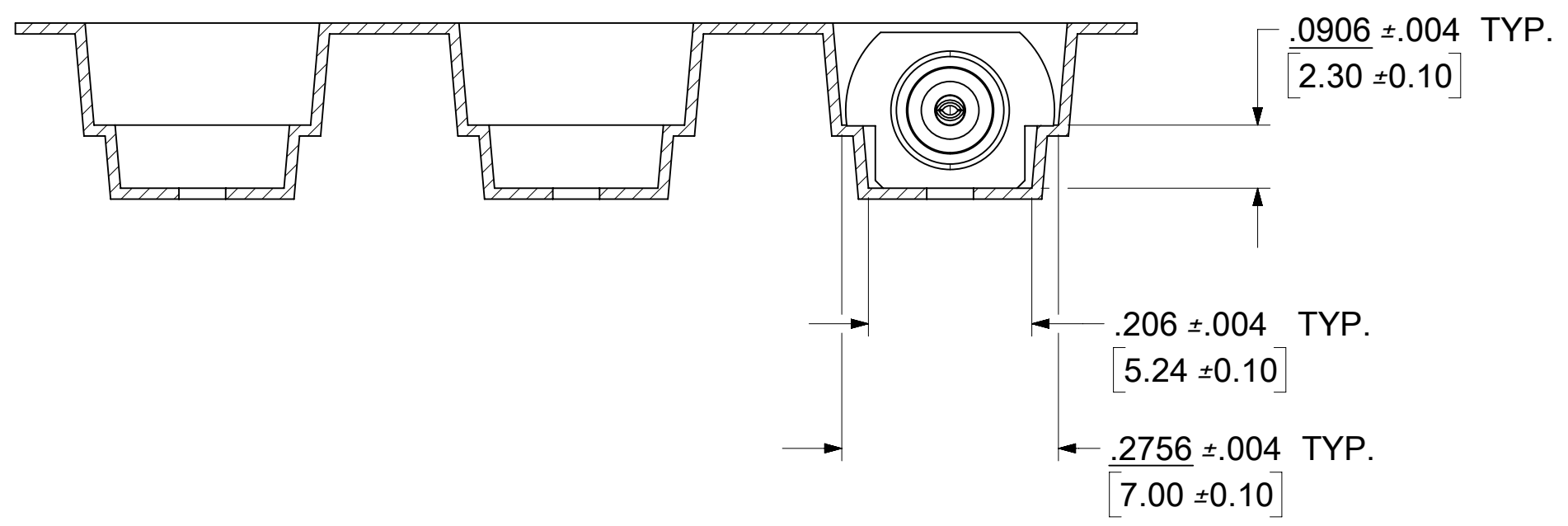
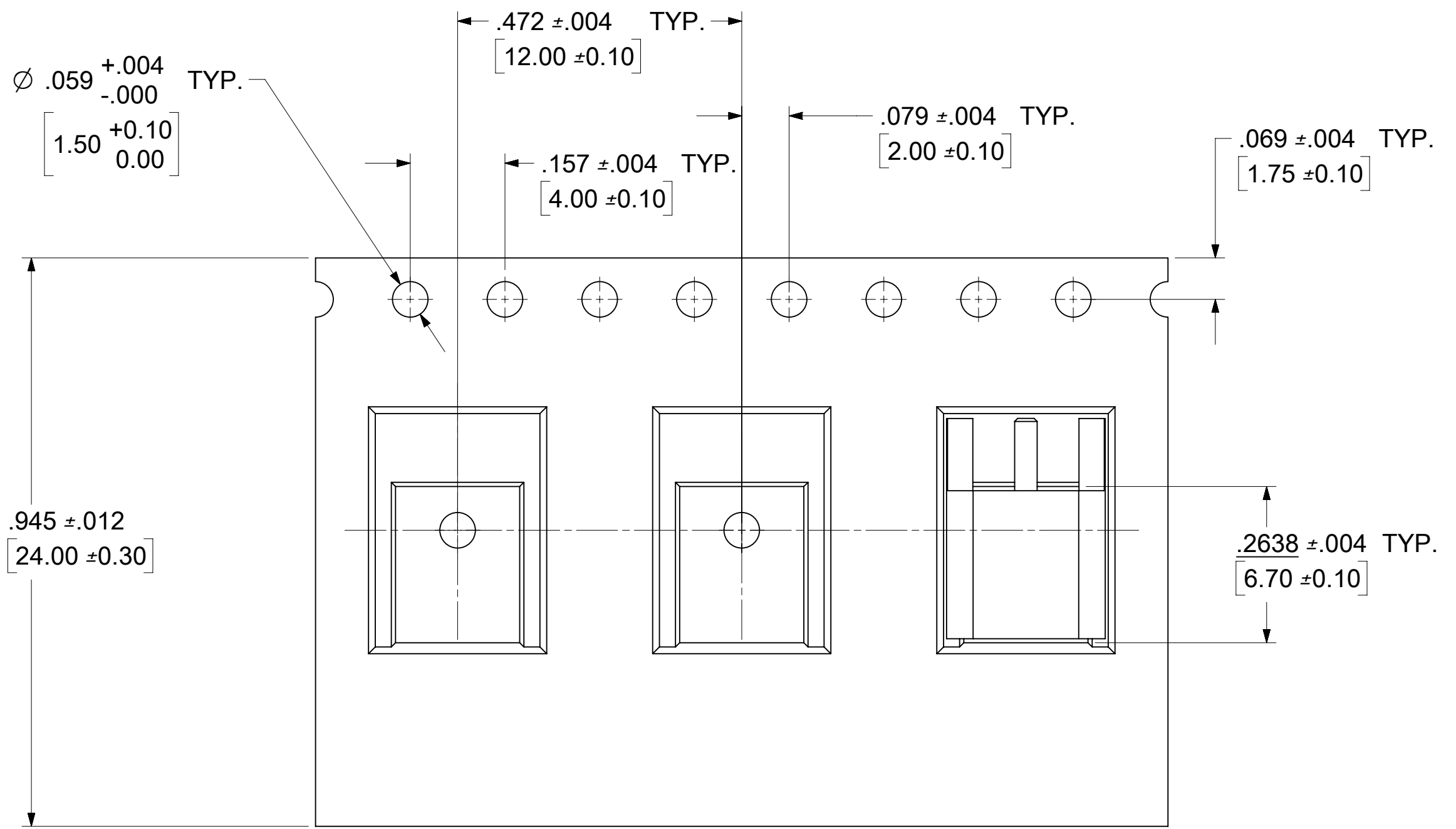
PS-89675-1830	PRODUCT SPECIFICATION
CECC-22-220	INTERFACE
SPECIFICATION	DESCRIPTION

FUNCTIONAL SYMBOLS	THIS DRAWING CONTAINS INFORMATION THAT IS PROPRIETARY TO MOLEX ELECTRONIC TECHNOLOGIES, LLC AND SHOULD NOT BE USED WITHOUT WRITTEN PERMISSION		
	DIMENSION UNITS	SCALE	CURRENT REV DESC: ADD 73366-6331 PER EWR14242-C
FA = 0	IN/MM	NTS	
GENERAL TOLERANCES (UNLESS SPECIFIED)	ANGULAR TOL ± 2.0°		
	4 PLACES	±	
DIVISIONAL SYMBOLS	3 PLACES	±	
	2 PLACES	±	
	1 PLACE	±	
0 PLACES	±		
DRAFT WHERE APPLICABLE MUST REMAIN WITHIN DIMENSIONS		THIRD ANGLE PROJECTION	DRAWING SERIES
		C-SIZE	73415
		EC NO: 654526	2021/02/05
		DRWN: CWEI02	2021/02/08
		CHK'D: YCHENG	2021/02/08
		APPR: YCHENG	2021/02/08
		INITIAL REVISION:	
		DRWN: EDC	1999/02/15
		APPR: GMH	1999/02/15
DOCUMENT NUMBER		DOC TYPE	DOC PART
SD-73415-106		PSD	001
MATERIAL NUMBER		CUSTOMER	SHEET NUMBER
SEE TABLE		GENERAL MARKET	1 OF 3

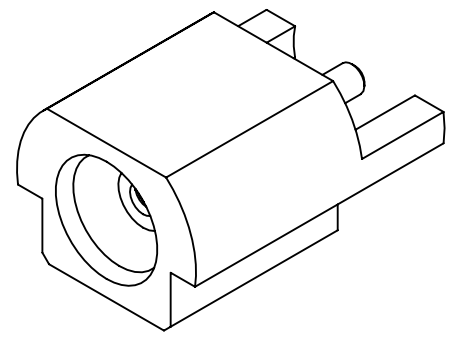


MCX JACK EDGE MOUNT PCB  
RECEPTACLE MCX-J/PCB

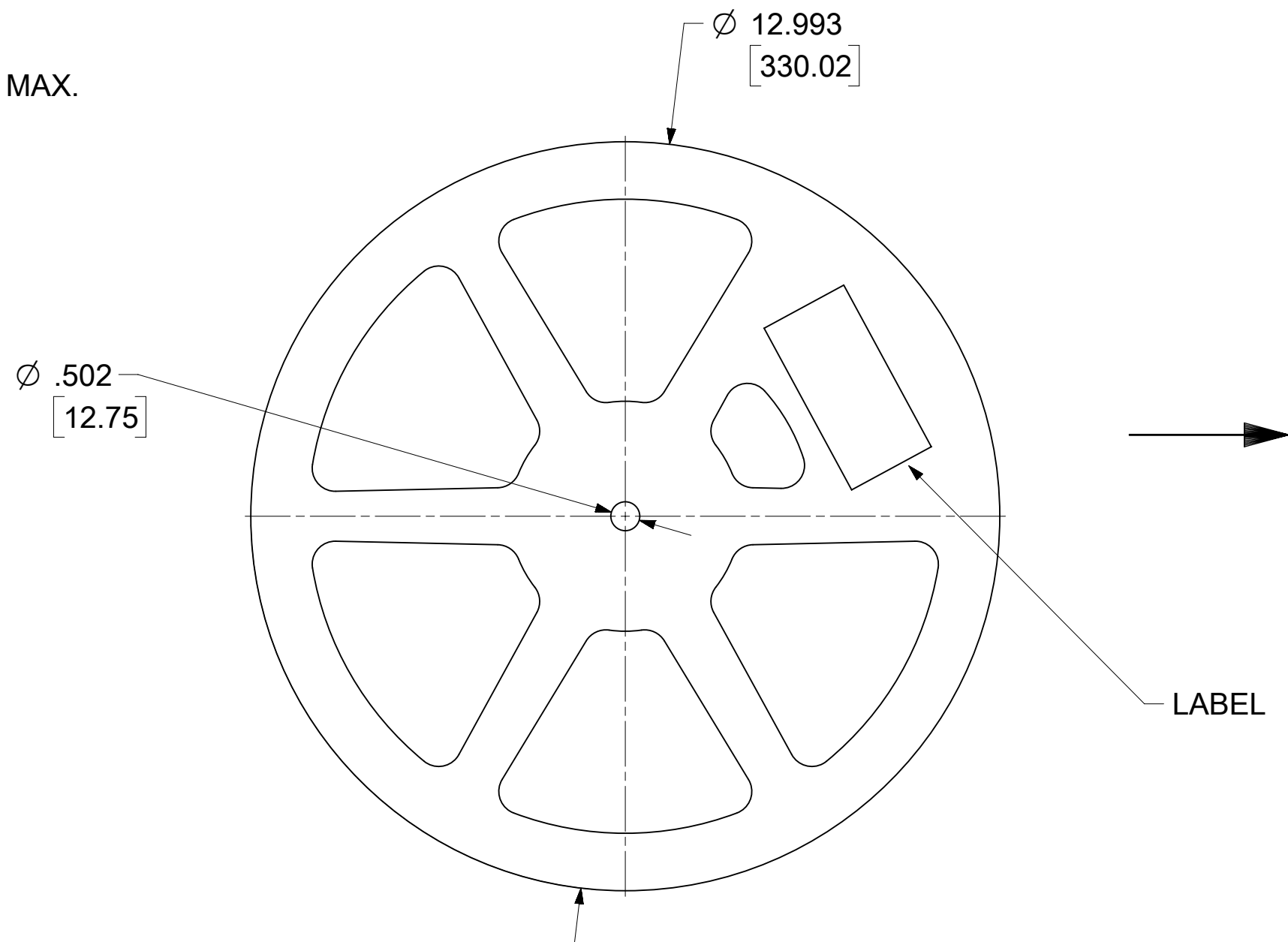
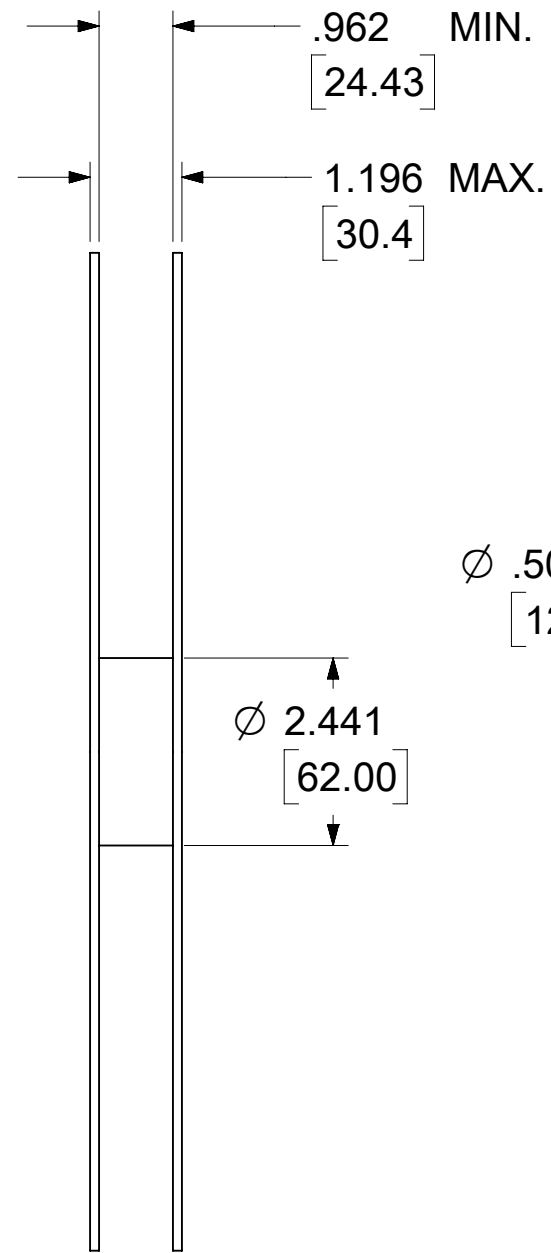
PRODUCT CUSTOMER DRAWING



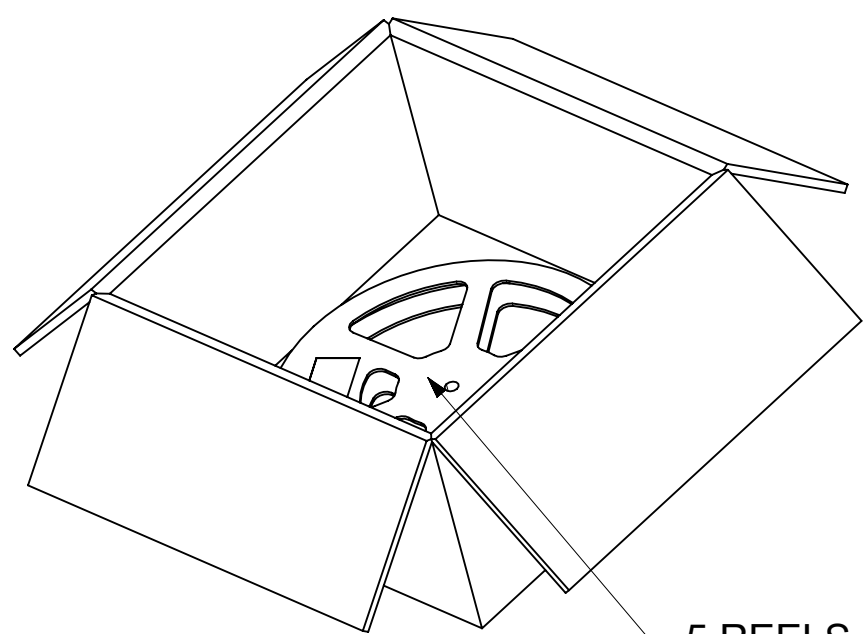
FUNCTIONAL SYMBOLS	THIS DRAWING CONTAINS INFORMATION THAT IS PROPRIETARY TO MOLEX ELECTRONIC TECHNOLOGIES, LLC AND SHOULD NOT BE USED WITHOUT WRITTEN PERMISSION														
	DIMENSION UNITS	SCALE	CURRENT REV DESC: ADD 73366-6331 PER EWR14242-C												
$\frac{F}{A} = 0$	IN/MM	NTS	<b>molex</b> MCX JACK EDGE MOUNT PCB RECEPTACLE MCX-J/PCB												
$\frac{F}{C} = 0$	GENERAL TOLERANCES (UNLESS SPECIFIED)														
$\frac{F}{P} = 0$	ANGULAR TOL $\pm 2.0^\circ$		EC NO: 654526 DRWN: CWEI02 2021/02/05 CHK'D: YCHENG 2021/02/08 APPR: YCHENG 2021/02/08												
DIVISIONAL SYMBOLS	4 PLACES $\pm$		PRODUCT CUSTOMER DRAWING												
	3 PLACES $\pm$		INITIAL REVISION:												
	2 PLACES $\pm$		DRWN: EDC 1999/02/15 APPR: GMH 1999/02/15												
	1 PLACE $\pm$		DOCUMENT NUMBER: SD-73415-106 DOC TYPE: PSD DOC PART: 001 REVISION: A14												
0 PLACES $\pm$		DRAFT WHERE APPLICABLE MUST REMAIN WITHIN DIMENSIONS		THIRD ANGLE PROJECTION		DRAWING: C-SIZE		SERIES: 73415		MATERIAL NUMBER: SEE TABLE		CUSTOMER: GENERAL MARKET		SHEET NUMBER: 2 OF 3	



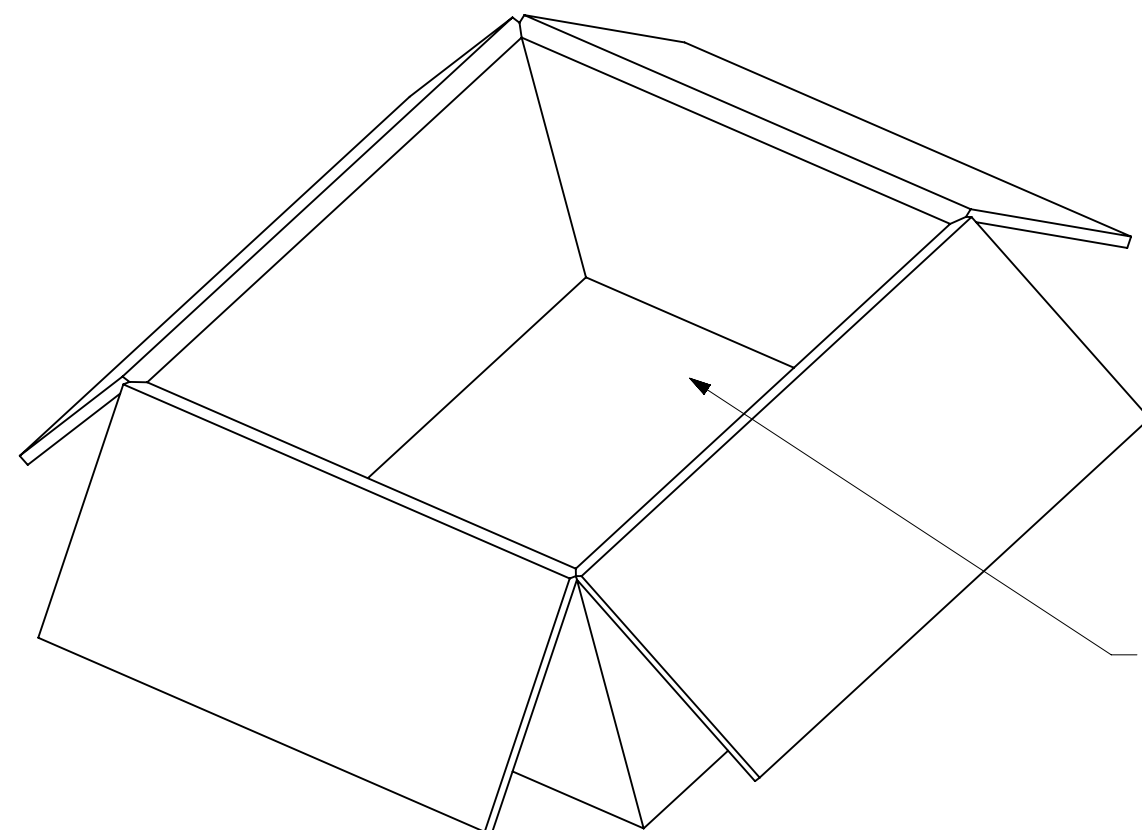
PART NO.: 73415-1061, 73415-1064  
73415-1066, 73415-1069



THE PART PACKAGE 1000 PCS PER ONE REEL



5 REELS (5000 PCS) PACKAGE PER ONE INNER CARTON



ONE INNER CARTON PACKAGE PER ONE OUTSIDE CARTON

<b>FUNCTIONAL SYMBOLS</b> $\nabla_A = 0$ $\nabla_C = 0$ $\nabla_P = 0$ <b>DIVISIONAL SYMBOLS</b> 4 PLACES ± 3 PLACES ± 2 PLACES ± 1 PLACE ± 0 PLACES ±	THIS DRAWING CONTAINS INFORMATION THAT IS PROPRIETARY TO MOLEX ELECTRONIC TECHNOLOGIES, LLC AND SHOULD NOT BE USED WITHOUT WRITTEN PERMISSION DIMENSION UNITS: <b>IN/MM</b> SCALE: <b>NTS</b>		CURRENT REV DESC: ADD 73366-6331 PER EWR14242-C						
	GENERAL TOLERANCES (UNLESS SPECIFIED) ANGULAR TOL ± 2.0°		EC NO: 654526 DRWN: CWEI02 2021/02/05 CHK'D: YCHENG 2021/02/08 APPR: YCHENG 2021/02/08					MCX JACK EDGE MOUNT PCB RECEPTACLE MCX-J/PCB	
	DRAFT WHERE APPLICABLE MUST REMAIN WITHIN DIMENSIONS		THIRD ANGLE PROJECTION		DRAWING SERIES: <b>C-SIZE 73415</b>		PRODUCT CUSTOMER DRAWING		
	MATERIAL NUMBER: SEE TABLE		CUSTOMER: GENERAL MARKET		DOCUMENT NUMBER: <b>SD-73415-106</b>		DOC TYPE: PSD DOC PART: 001 REVISION: A14		SHEET NUMBER: 3 OF 3