

# S CN BN - J 1 1 75 - SO RPM

SUNTSU

CONNECTOR

BNC

Connector Type  
Jack

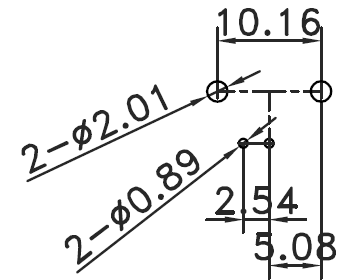
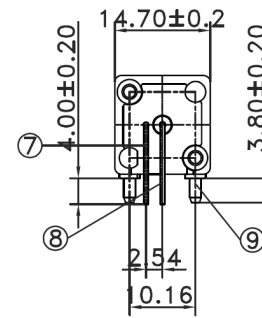
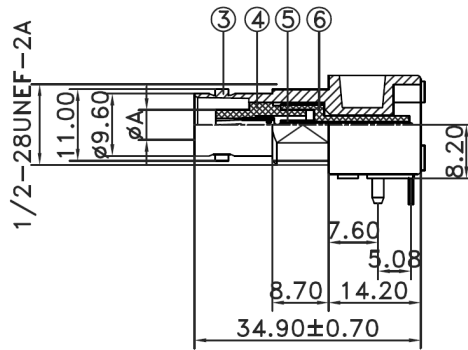
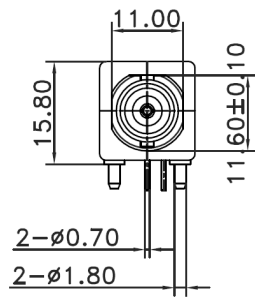
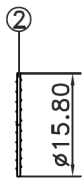
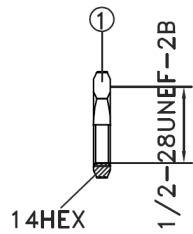
Rows

Connectors  
per Row

Impedance  
75

Contact Termination  
Solder

Mounting Style  
Right Angle PCB  
Mount



Recommended  
Mounting  
Layout

1. Materials:
  - a) Body: Zinc Nickel Plated
  - b) Contact: P-Bronze Gold Plated
  - c) Insulator: PP Natural
2. Normal Impedance: 75Ω
3. Frequency Range: 0-1 GHz
4. Max Peak Voltage: 500V
5. Dielectric Strength: 1500V RMS
6. Insulation Resistance: 5000MΩ/Min



BNC JACK PCB MOUNT  
90°

Document History				Part No.	REV.	Drawn		Page
Edits Made	Date	Edited By	Approved By			A	B. Gibbons	
Initial Release	06/28/2021	B. Gibbons	KH Mun	SCNBN-J1175-SORPM	SCALE	Checked		1 / 1
					None	KH Mun 06/28/2021		
				Tolerance	UNIT	Approved		
					mm	KH Mun 06/28/2021		