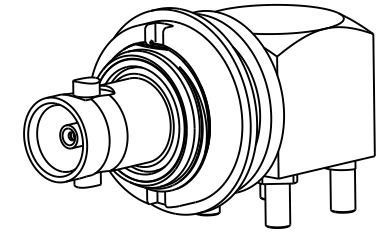


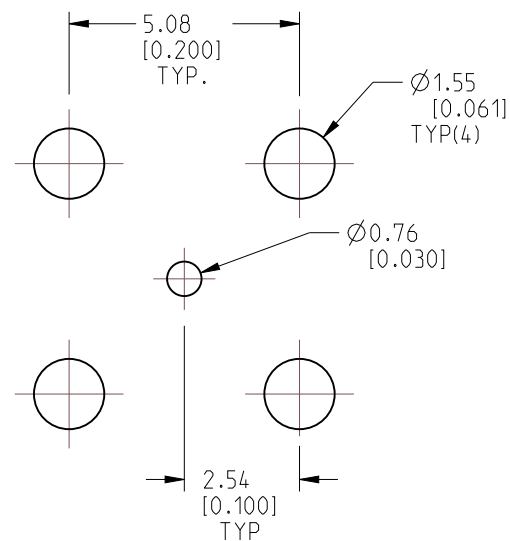
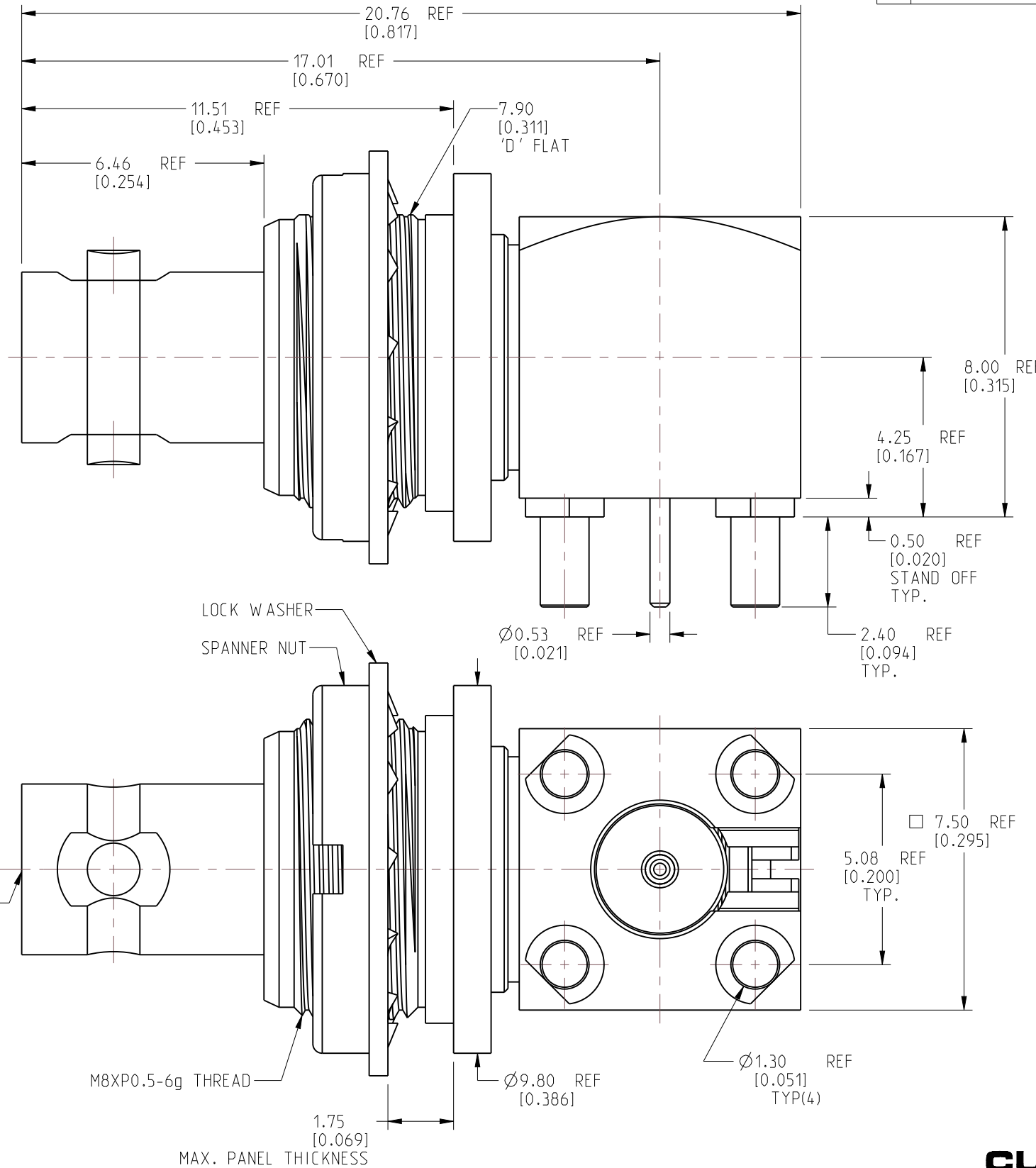
NOTES:

- MATERIALS AND FINISHES:  
 BODY, CAP, SLEEVE, LOCKWASHER & SPANNER NUT - BRASS, NICKEL PLATING  
 REAR BODY - BRASS, GOLD PLATING  
 CONTACT - BeCu, GOLD PLATING  
 INSULATORS - PTFE, NATURAL  
 INSULATOR SLEEVE - DERLIN, NATURAL  
 INSULATOR - ULTEM 1000, NATURAL
- ELECTRICAL:  
 A. IMPEDANCE: 75 OHMS  
 B. FREQUENCY RANGE: DC - 18 GHz  
 C. RETURN LOSS: 25 dB MIN. @ DC - 6 GHz  
 10 dB MIN. @ 6 - 12 GHz  
 D. DIELECTRIC WITHSTANDING VOLTAGE: 1000 VRMS. MIN.  
 E. INSULATION RESISTANCE: 10,000 MΩ MIN.
- MECHANICAL:  
 A. DURABILITY: 500 CYCLES MIN.  
 B. TEMPERATURE RANGE: -40°C TO 85°C
- PACKAGING:  
 A. QUANTITY: SINGLE PACK  
 B. MARKING: BAG TO BE MARKED  
 "AMPHENOL RF, 34-1140-12G AND DATE CODE"

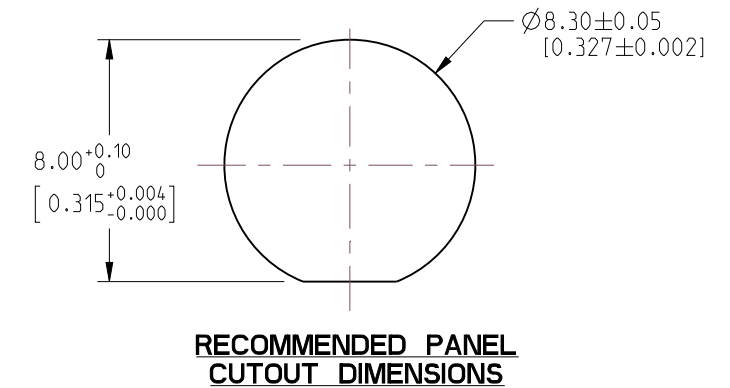
REVISIONS				
REV	DESCRIPTION	DATE	ECN	APPR
A	RELEASE TO MFG.	10-Feb-21	15577	S.HSIEH



SCALE 2.500



**RECOMMENDED PCB HOLE DIMENSIONS**



**RECOMMENDED PANEL CUTOUT DIMENSIONS**

**CUSTOMER OUTLINE DRAWING**  
 ALL OTHER SHEETS ARE FOR INTERNAL USE ONLY

NOTICE: These drawings, specifications, or other data (1) are, and remain the property of Amphenol corp. (2) must be returned upon request; and (3) are confidential and not to be disclosed to any person other than those to whom they are given by Amphenol Corp. The furnishing of these drawings, specifications, or other data by Amphenol Corp., or to any other person to anyone for any purpose is not to be regarded by implication or otherwise in any manner licensing, granting rights to permitting such holder or any other person to manufacture, use or sell any product, process or design, patented or otherwise, that may in any way be related to or disclosed by said drawings, specifications, or other data.

UNLESS OTHERWISE SPECIFIED DIMENSIONS ARE METRIC (INCHES) AND TOLERANCES ARE:  
 <0.5mm = ±0.05mm [-0.020 = ±0.002]  
 >0.5 - 6mm = ±0.1mm [+0.020 - 0.236 = ±0.004]  
 >6.00 - 30mm = ±0.2mm [+0.236 - 1.181 = ±0.008]  
 >30.00 - 120mm = ±0.3mm [+1.181 - 4.725 = ±0.012]  
 ANGLES = ±1°

MATERIAL: SEE NOTES  
 ENGINEER: WIKI  
 DATE: 4-Feb-21

TITLE: HD BNC RA BHD ISOLATED JACK THRU HOLE PCB MOUNT  
 SHEET NO. 2 OF 2  
 SCALE: 7.0:1.0

Amphenol RF		SIZE	DRAWING NO. 34-1140-12G	REV A
			ITEM NO. 34-1140-12G	
			PART NO. 34-1140-12G	