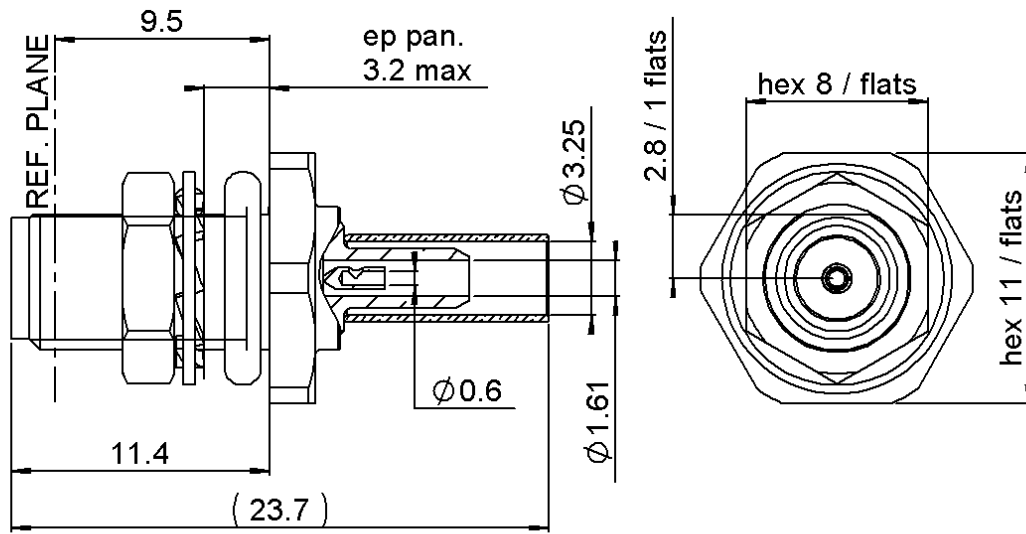


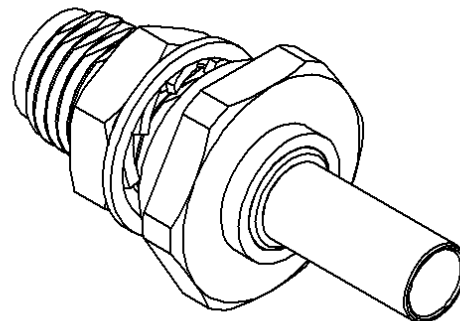
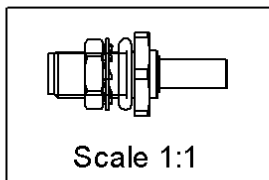
PAGE 1/3	ISSUE 10-04-19	SERIES SMA	PART NUMBER R125321020
----------	----------------	------------	------------------------



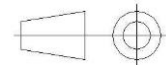
PANEL CUT OUT



	mm	
	Maxi	mini
A	6.5	6.4
B	6.15	6



All dimensions are in mm. Tolerances according ISO 2768 m-H



COMPONENTS	MATERIALS	PLATING (µm)
Body	STAINLESS STEEL	GOLD OVER NICKEL
Center contact	BERYLLIUM COPPER	GOLD OVER COPPER
Outer contact		-
Insulator	PTFE	
Gasket	SILICONE RUBBER	
Others parts	STAINLESS STEEL	GOLD OVER NICKEL
-	-	-
-	-	-

PAGE 2/3	ISSUE 10-04-19	SERIES SMA	PART NUMBER R125321020
----------	----------------	------------	------------------------

PACKAGING

Standard	Unit	Other
100	Contact us	Contact us

ELECTRICAL CHARACTERISTICS

Impedance		50	Ω
Frequency		0-12.4	GHz
VSWR	1.15	+	0,0200 x F(GHz) Maxi
Insertion loss		0.06	√F(GHz) dB Maxi
RF leakage	- (NA	- F(GHz)) dB Maxi
Voltage rating		250	Veff Maxi
Dielectric withstanding voltage		750	Veff mini
Insulation resistance		5000	MΩ mini

MECHANICAL CHARACTERISTICS

Center contact retention			
Axial force – Mating End		27	N mini
Axial force – Opposite end		27	N mini
Torque		NA	N.cm mini
Recommended torque			
Mating		NA	N.cm
Panel nut		150	N.cm
Clamp nut		NA	N.cm
A/F clamp nut		0,0000	mm
Mating life		500	Cycles mini
Weight		3,8000	g

ENVIRONMENTAL

Operating temperature	-65/+165	°C
Hermetic seal	NA	Atm.cm3/s
Panel leakage	IP68*	

SPECIFICATION

CABLE ASSEMBLY

Stripping	a	b	c	d	e	f
mm	1,5	6	8	0	7,5	0

Assembly instruction: **Crimp 01**

Recommended cable(s)

RG 188
RG 316
KX 22A

Characteristics indicated on this data sheet are those that can be achieved with the highest performance cable. Intrinsic limitations of the cable may diminish the performance of the assembly

Cable retention

- pull off	90	N mini
- torque	NA	N.cm

TOOLING

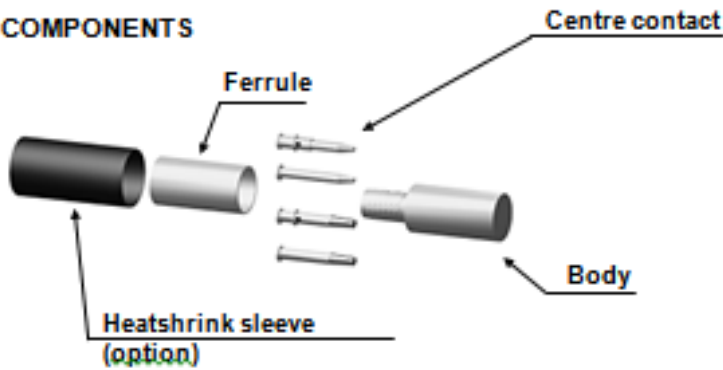
Part Number	Description	Hexagon
R282211000	CRIMPING TOOL	3.25
R282235003	CRIMPING DIES M22520/5-03	3.25
R282293000	CRIMPING TOOL M22520/5-01	

OTHER CHARACTERISTICS

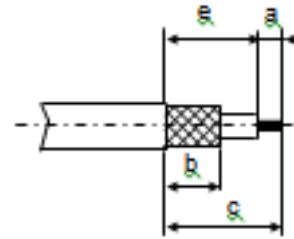
* In unmated position

PAGE 3/3	ISSUE 10-04-19	SERIES SMA	PART NUMBER R125321020
----------	----------------	------------	------------------------

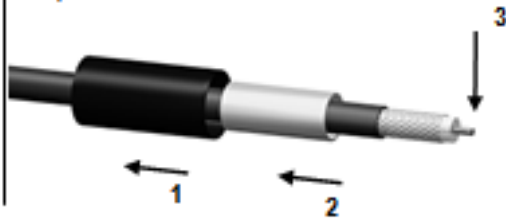
COMPONENTS



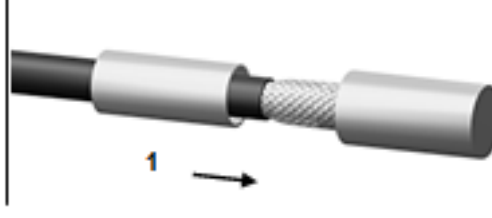
STRIPPING DIMENSIONS



1
Slide the heatshrink sleeve onto the cable (Option).
Slide the ferrule onto the cable.
Strip the cable.



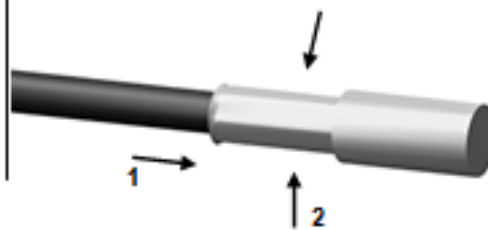
4
Slide the cable into the body until it bottoms against the insulator.



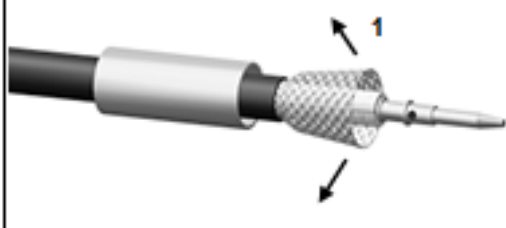
2
Slide the centre contact on until it bottoms against the cable dielectric.
Solder the centre contact.
Clean solder area.



5
Slide the ferrule over the braid.
Crimp the ferrule with crimping tool (see connector TDS).



3
Fan the braid.



6
Cut the excess of braid if necessary.
Slide the sleeve over the ferrule and heatshrink it in place (Option).

