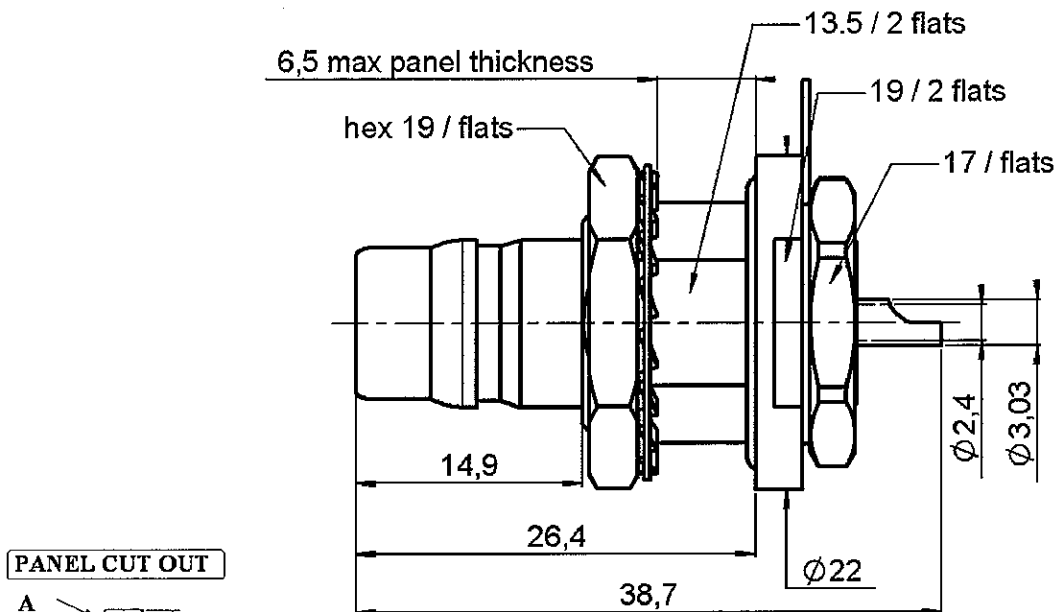


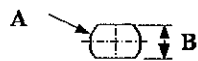
**STR. BULK. RECEPTACLE INTERNAL AND  
PANEL SEAL REAR MOUNTING**

**R164.606.000**

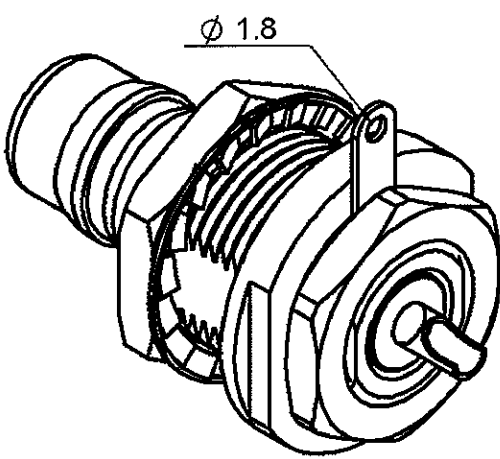
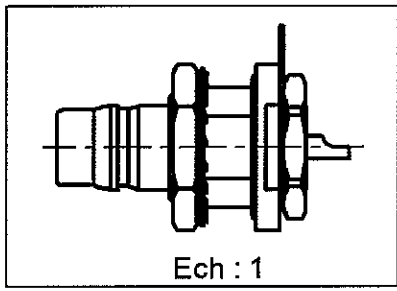
Series : QN



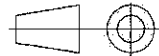
**PANEL CUT OUT**



	mm	
	Maxi	mini
A	16.3	16
B	13.9	13.6



All dimensions are in mm.



COMPONENTS	MATERIALS	PLATINGS (µm)
BODY	BRASS	BBR 0.5 OVER SILVER 3
CENTER CONTACT	BERYLLIUM COPPER	GOLD 1.3 OVER COPPER 2.5
OUTER CONTACT		
INSULATOR	PTFE	
GASKET	SILICONE RUBBER	
OTHERS PARTS	BRASS	BBR 2
-	-	-
-	-	-

Issue : 0505 B

In the effort to improve our products, we reserve the right to make changes judged to be necessary.



**STR. BULK. RECEPTACLE INTERNAL AND  
PANEL SEAL REAR MOUNTING**

**R164.606.000**

Series : QN

**PACKAGING**

Standard	Unit	Other
50	'W' option	Contact us

**SPECIFICATION**

**ELECTRICAL CHARACTERISTICS**

Impedance		50 Ω
Frequency		0-6* GHz
VSWR	1.6** +	0.000 x F(GHz) Maxi
Insertion loss		0.35 √F(GHz) dB Maxi
RF leakage	- (	***90 - F(GHz)) dB Maxi
Voltage rating		1000 Veff Maxi
Dielectric withstanding voltage		2000 Veff mini
Insulation resistance		5000 MΩ mini

**ENVIRONMENTAL**

Operating temperature	-55/+125 °C
Hermetic seal	Atm.cm3/s
Panel leakage	IP68

**OTHERS CHARACTERISTICS**

Assembly instruction

Others :

\* Usable 0-11GHz

\*\* Coaxial transmission line only

\*\*\*RF Leakage: -80dB min 3<F<6GHz

\*\*\*\* PMI3 : -112 dBm ( 2 x 20W at 1.8GHz )

**MECHANICAL CHARACTERISTICS**

Center contact retention		
Axial force – Mating end	27	N mini
Axial force – Opposite end	27	N mini
Torque	2.8	N.cm mini
Recommended torque		
Mating		N.cm
Panel nut	500	N.cm
Mating life	100	Cycles mini
Weight	35.900	g

Issue : 0505 B

In the effort to improve our products, we reserve the right to make changes judged to be necessary.



**RADIALL®**