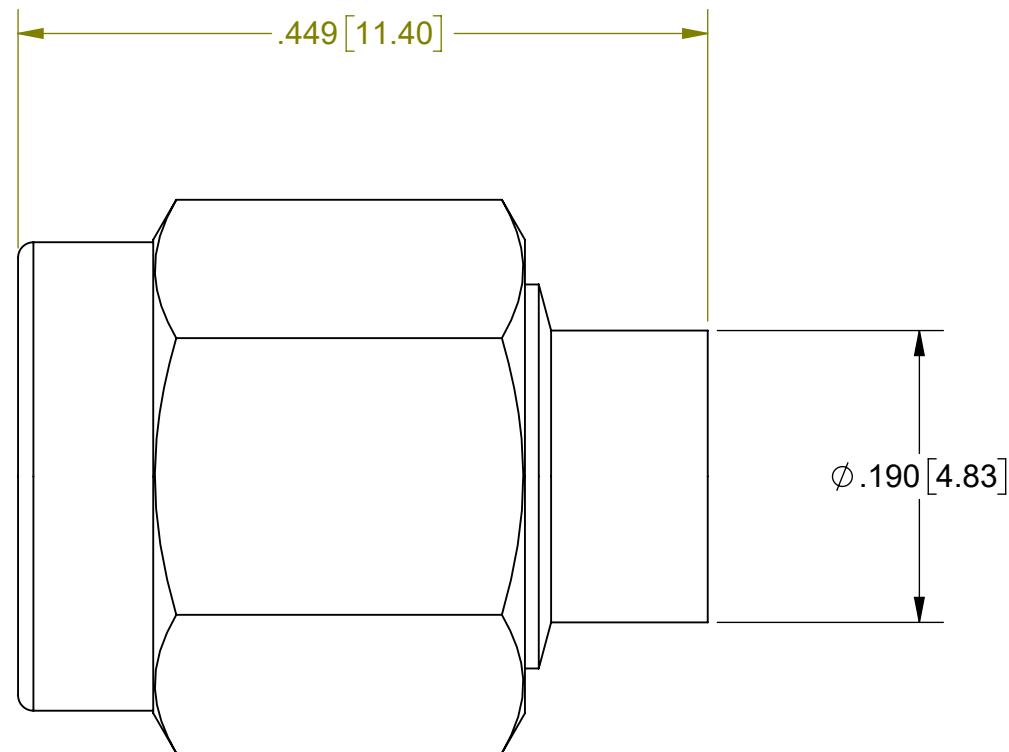
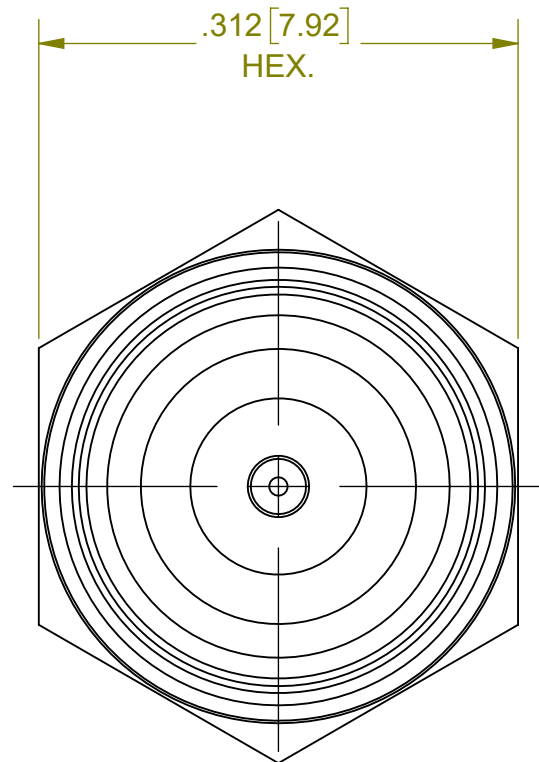


REVISION HISTORY			
REV	DESCRIPTION	DATE	APPROVED
-	NRN 44866	05/20	STW

# PRODUCT DATA DRAWING



**MATERIAL:**  
 BODY, CONTACT,  
 COUPLING NUT &  
 LOCK RING: BERYLLIUM COPPER

INSULATOR: PTFE

GASKET: SILICONE RUBBER

**FINISH:**  
 BODY, CONTACT &  
 COUPLING NUT: GOLD OVER COPPER

**PERFORMANCE:**  
 IMPEDANCE: 50 OHMS  
 FREQ. RANGE: DC TO 18.0 GHz.

MATERIAL: SEE NOTES	DIMENSIONS ARE IN INCHES TOLERANCES: FRACTIONAL: ±1/64 ANGULAR: X° ±1°0' X°X' ±15'	UNLESS OTHERWISE SPECIFIED 1) ALL DIMENSIONS ARE IN INCHES (MILLIMETERS) 2) ALL DIMENSIONS ARE AFTER PLATING. 3) BREAK CORNERS & EDGES .005 R. MAX. 4) CHAM. 1ST & LAST THREADS. 5) SURFACE ROUGHNESS 63-MIL-STD-10. 6) DIA.'S ON COMMON CENTERS TO BE CONCENTRIC WITHIN .005 T.I.R. 7) REMOVE ALL BURRS	
FINISH: SEE NOTES	DECIMAL: X ±.030 .XX ±.010 .XXX ±.005	INTERPRET DIMENSIONS AND TOLERANCES PER ASME Y14.5M - 1994	
SURFACE AREA: N/A	THIRD ANGLE PROJECTION	DRAWN: KRR 05/27/20	TITLE: SMA PLUG (NON-MAGNETIC) FOR .085 CABLE
<p><b>PROPRIETARY</b></p> <p>THE INFORMATION CONTAINED IN THIS DRAWING IS THE SOLE PROPERTY OF SV MICROWAVE, INC. ANY REPRODUCTION IN PART OR AS A WHOLE WITHOUT THE WRITTEN PERMISSION OF SV MICROWAVE, INC IS PROHIBITED.</p>		CHECKED: STW 05/27/20	SIZE DWG. NO. <b>B</b> 2911-40024
		APPROVED: STW 05/27/20	SCALE: 8:1 SHEET 1 OF 1