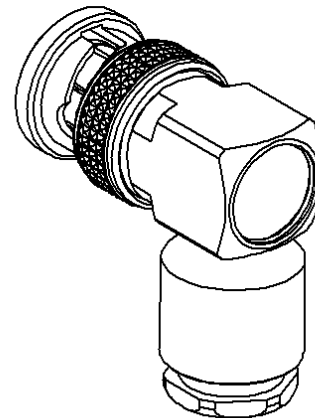
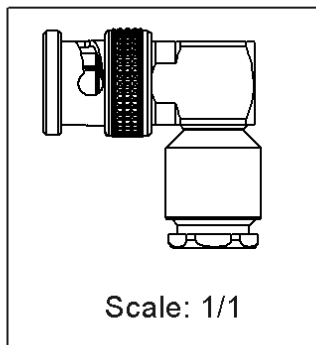
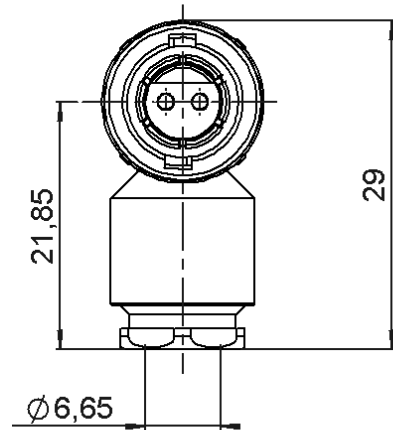
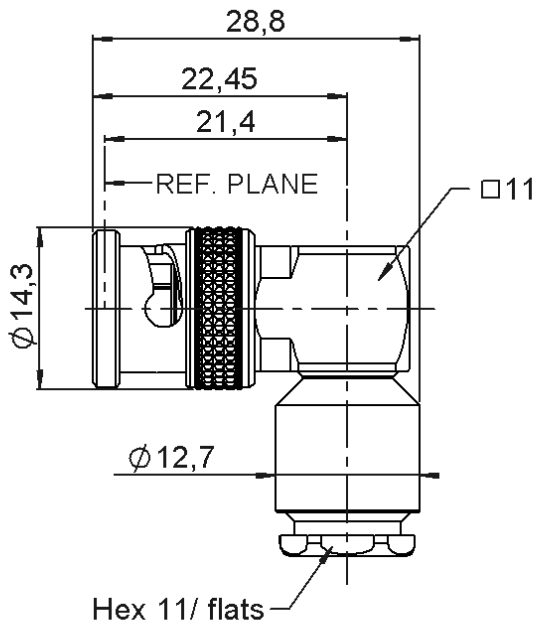
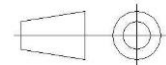


PAGE 1/4	ISSUE 23-06-16A	SERIES BR2	PART NUMBER R605156000
----------	-----------------	------------	------------------------



All dimensions are in mm.



COMPONENTS	MATERIALS	PLATING ( $\mu\text{m}$ )
Body	<b>BRASS</b>	<b>NICKEL</b>
Center contact	<b>BRASS</b>	<b>SILVER 5</b>
Outer contact	<b>BRASS</b>	<b>NICKEL</b>
Insulator	<b>PTFE , POLYAMIDE</b>	
Gasket	<b>SILICONE RUBBER</b>	
Others parts	<b>BRASS</b>	<b>NICKEL</b>
-	-	-
-	-	-

PAGE <b>2/4</b>	ISSUE <b>23-06-16A</b>	SERIES <b>BR2</b>	<b>PART NUMBER R605156000</b>
-----------------	------------------------	-------------------	-------------------------------

**PACKAGING**

Standard <b>1</b>	Unit <b>Contact us</b>	Other <b>Contact us</b>
----------------------	---------------------------	----------------------------

**ELECTRICAL CHARACTERISTICS**

Impedance	<b>80</b>	Ω
Frequency	<b>0-0.5</b>	GHz
VSWR	<b>NA + 0,0000</b>	x F(GHz) Maxi
Insertion loss	<b>NA</b>	√F(GHz) dB Maxi
RF leakage	- ( <b>NA</b> )	- F(GHz)) dB Maxi
Voltage rating	<b>500</b>	Veff Maxi
Dielectric withstanding voltage	<b>1500</b>	Veff mini
Insulation resistance	<b>5000</b>	MΩ mini

**MECHANICAL CHARACTERISTICS**

Center contact retention		
Axial force – Mating End	<b>27</b>	N mini
Axial force – Opposite end	<b>27</b>	N mini
Torque	<b>NA</b>	N.cm mini
Recommended torque		
Mating	-	N.cm
Panel nut	-	N.cm
Clamp nut	<b>450</b>	N.cm
A/F clamp nut	<b>11,0000</b>	mm
Mating life	<b>500</b>	Cycles mini
Weight	<b>0,0000</b>	g

**ENVIRONMENTAL**

Operating temperature	<b>-40/+100</b>	°C
Hermetic seal	<b>NA</b>	Atm.cm3/s
Panel leakage	<b>NA</b>	

**SPECIFICATION**

**CABLE ASSEMBLY**

Stripping	a	b	c	d	e	f
mm	<b>3,5</b>	<b>3,5</b>	<b>16</b>	<b>0</b>	<b>13</b>	<b>0</b>

Assembly instruction:

Recommended cable(s)

Characteristics indicated on this data sheet are those that can be achieved with the highest performance cable. Intrinsic limitations of the cable may diminish the performance of the assembly

Cable retention

- pull off	<b>200</b>	N mini
- torque	<b>NA</b>	N.cm

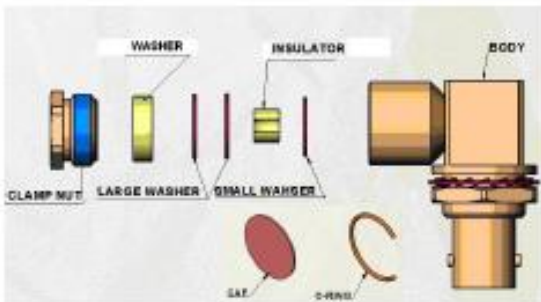
**TOOLING**

Part Number	Description	Hexagon
.	.	.

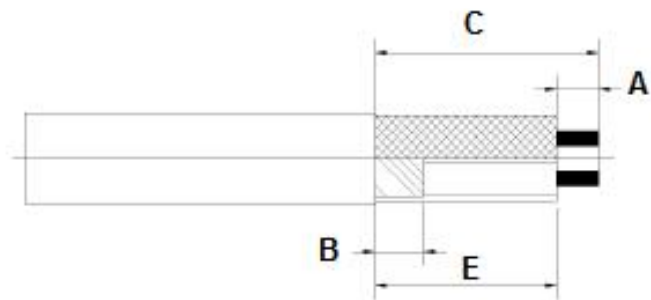
**OTHER CHARACTERISTICS**

PAGE 3/4	ISSUE 23-06-16A	SERIES BR2	PART NUMBER R605156000
----------	-----------------	------------	------------------------

**COMPONENTS**



**STRIPPING DIMENSIONS**



**1** Strip the cable as shown in sketch 1.

**4** Slide the insulator in the body (notice the orientation)

**2** Slide the clamp nut, the washer, the large washer (2 pieces) onto the cable. Slide the small washer over the braid.

**5** Insert the cable into the body. Solder the inner conductor.

**3** Fold the braid back over the washer. Trim dielectric back as shown in sketch 3. Slide the back nut over the cable assembly.

**6** Slide the O-ring in the body. Place the cap into the body. Press on the cap flush or slightly below the surface of the body assembly.

PAGE 4/4

ISSUE 23-06-16A

SERIES BR2

PART NUMBER R605156000

7

Screw sub-assembly into the connector body with the adapted wrench.  
Recommended coupling torque ( see connector TDS ).

