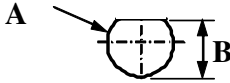
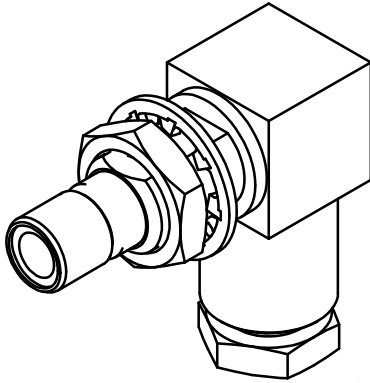


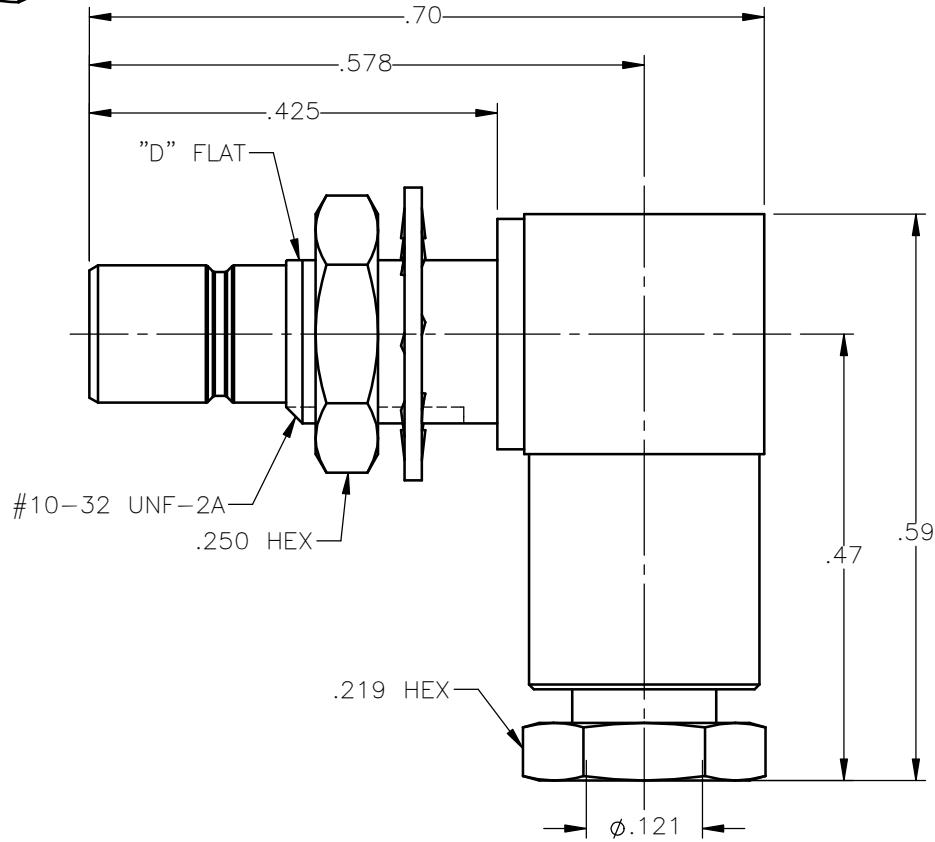
REVISIONS

REV.	DESCRIPTION	DATE	APPROVED
A	INITIAL RELEASE	04/10/18	D.N.

**PANEL CUT OUT**



inches		
	Maxi	mini
<b>A</b>	<b>.198</b>	<b>.192</b>
<b>B</b>	<b>.183</b>	<b>.177</b>



NOTES:

MATERIALS:

1. INSULATORS = VIRGIN WHITE TEFLON PER ASTM D1710, GRADE 1, TYPE I, CLASS "B".
2. LOCKWASHER = PHOSPHOR BRONZE PER ASTM B139, COPPER ALLOY C53400, TEMPER H04.
3. ALL OTHER METAL PARTS = BRASS PER ASTM B16, ALLOY C36000, TEMPER H02.

FINISHES:

1. CONTACT = GOLD PLATE PER ASTM B488-11, TYPE II, 50 $\mu$ in MIN, GRADE C, OVER 100 TO 200 $\mu$ in STRESS FREE SULFAMATE NICKEL PER AMS-QQ-N-290.
2. ALL OTHER METAL PARTS = GOLD PLATE PER ASTM B488-11, TYPE II, 30 $\mu$ in MIN, GRADE C OVER 100 TO 200 $\mu$ in COPPER STRIKE PER AMS 2418.

UNLESS OTHERWISE SPECIFIED DIMENSIONS ARE IN INCHES TOLERANCES ON

DWN:	DATE
D.N.	04/10/18
CHKD:	DATE
C.E.	04/10/18
APVD:	DATE
J.M.	04/10/18



Property of Radiall  
This document cannot be reproduced or communicated to a third party without prior written permission of RADIALL.



SMB RIGHT ANGLE MALE JACK  
BULKHEAD SOLDER/CLAMP TYPE  
FOR .085 S/R & SIMILAR CABLES

REFERENCE:

ORIGINATED: D.N.  
DATE: 04/10/18

MATERIALS & FINISHES:

SEE NOTES

SIZE	FSCM NO.	DWG NO.	REV
A	19505	2006-1541-010	A
SCALE	THIRD ANGLE PROJECTION		SHEET 1 OF 1
5:1			

2006-1541-010