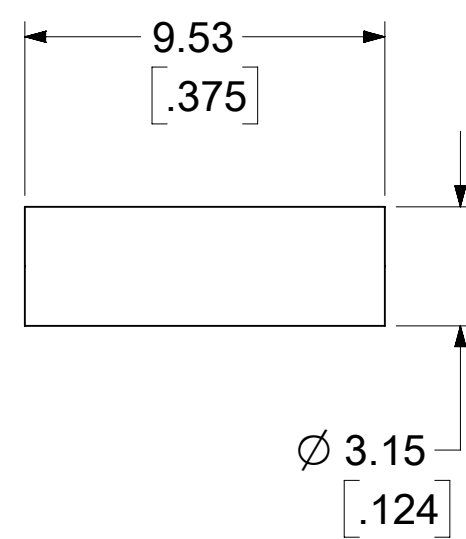
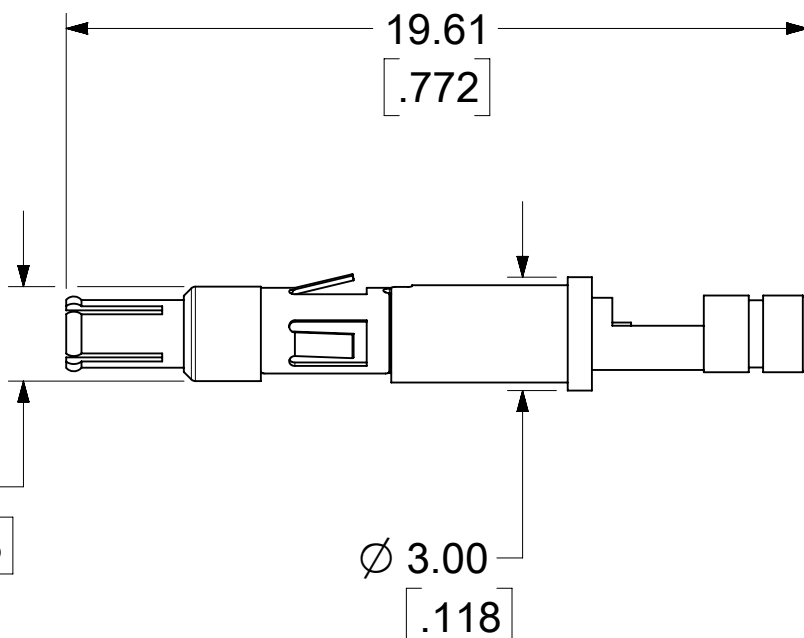
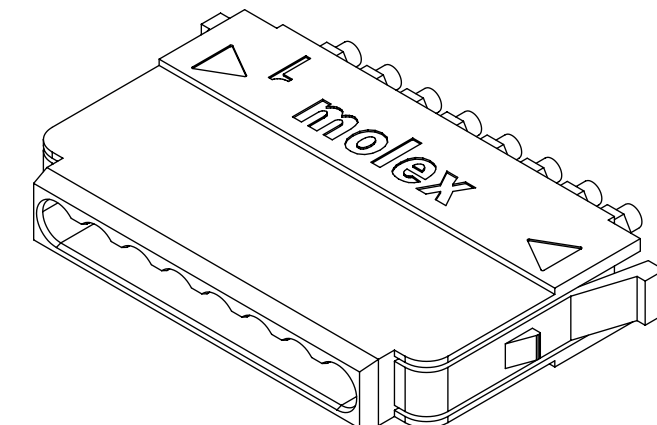
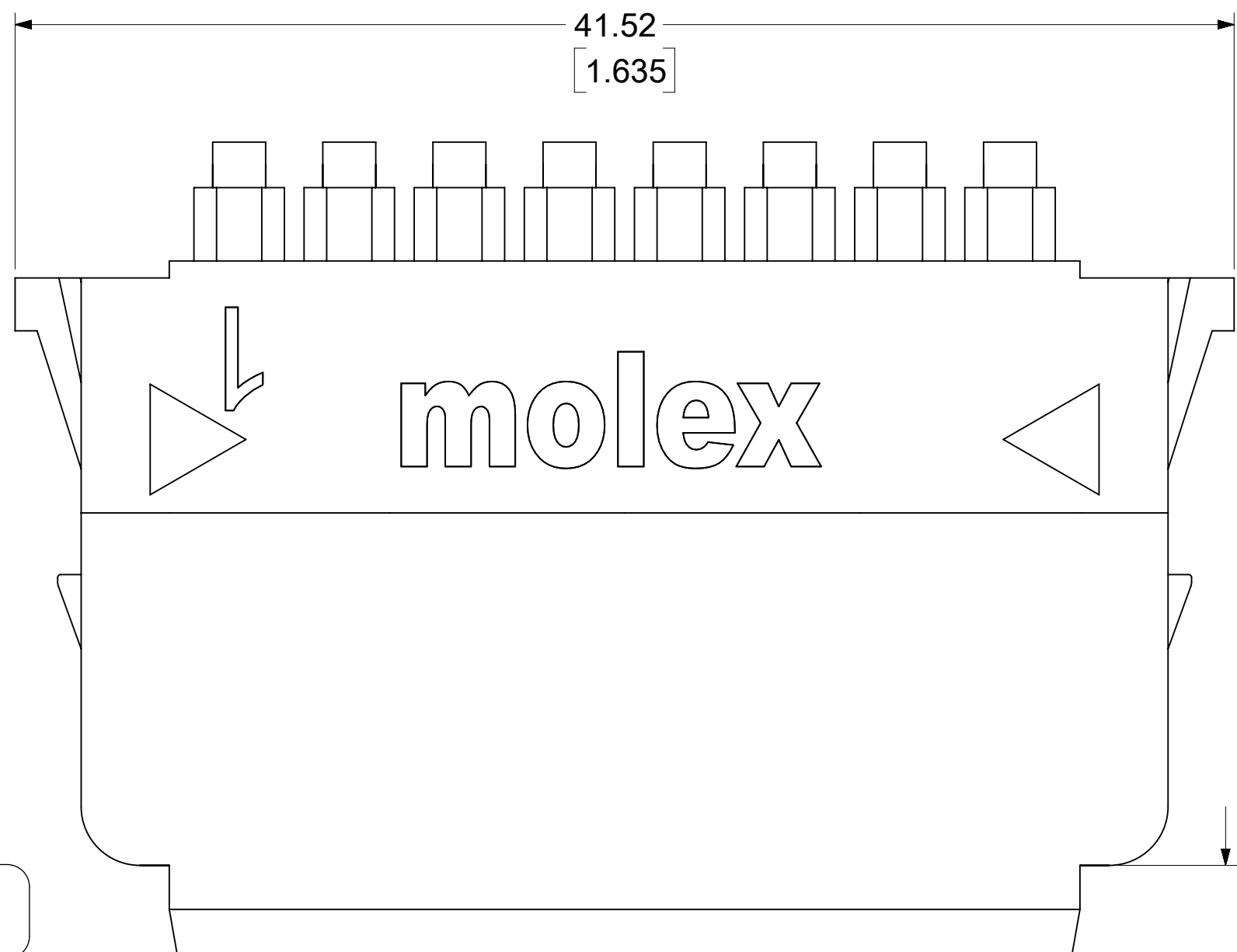


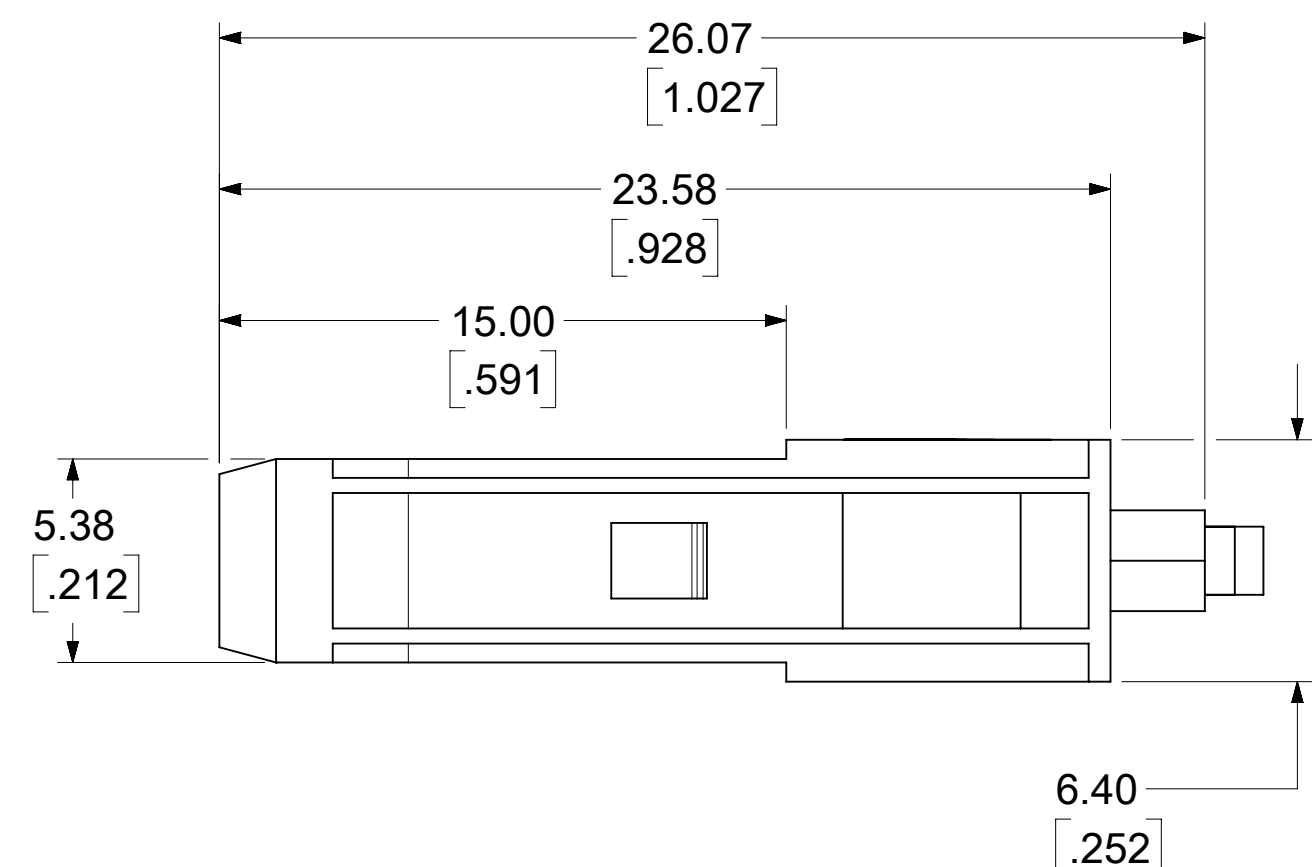
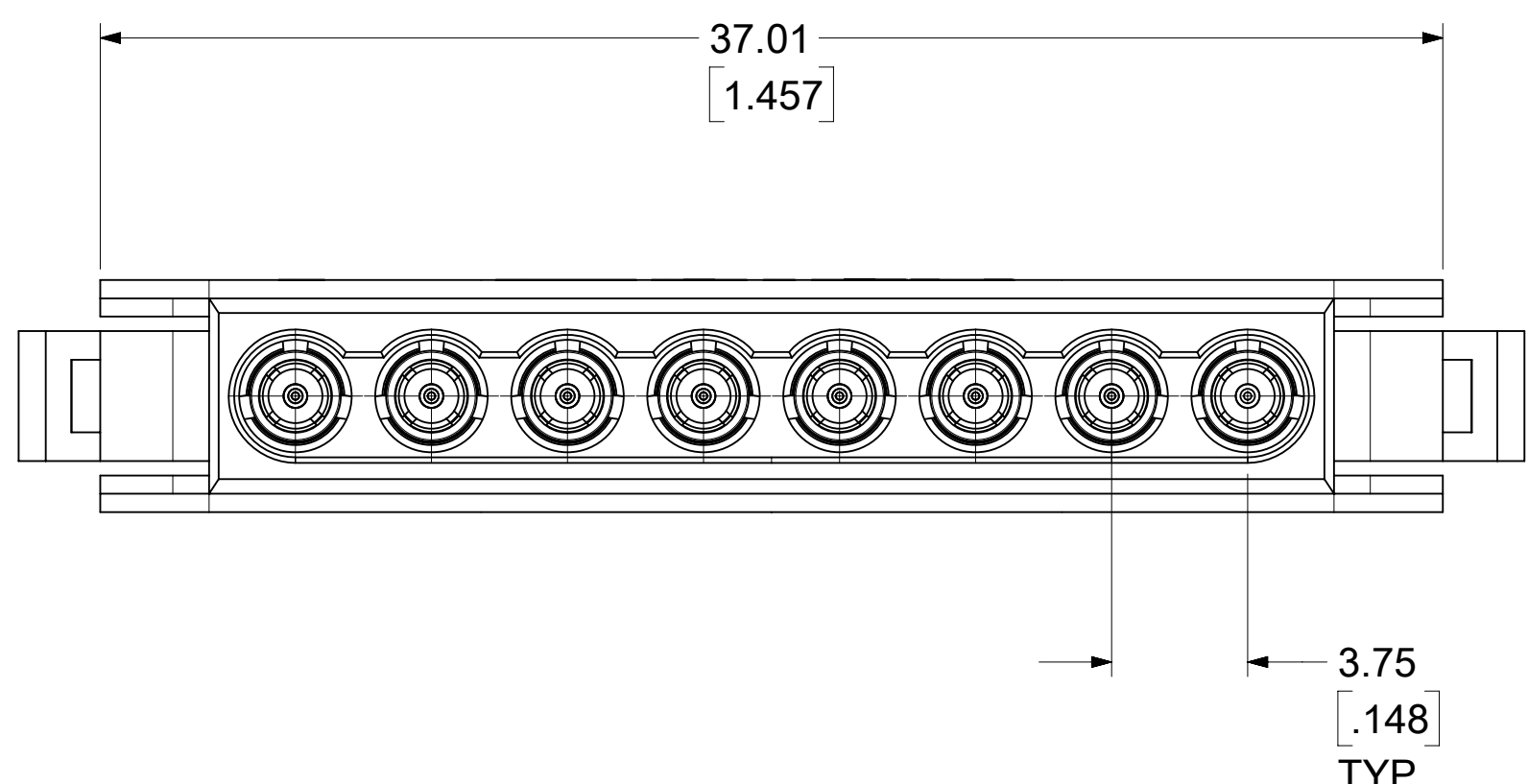
MATERIALS AND FINISHES:

MPRF PLUGS (73158-0000/-0001)
SEE SD-73158-000

HOUSING NYLON
UL94V-0
COLOR : BLACK



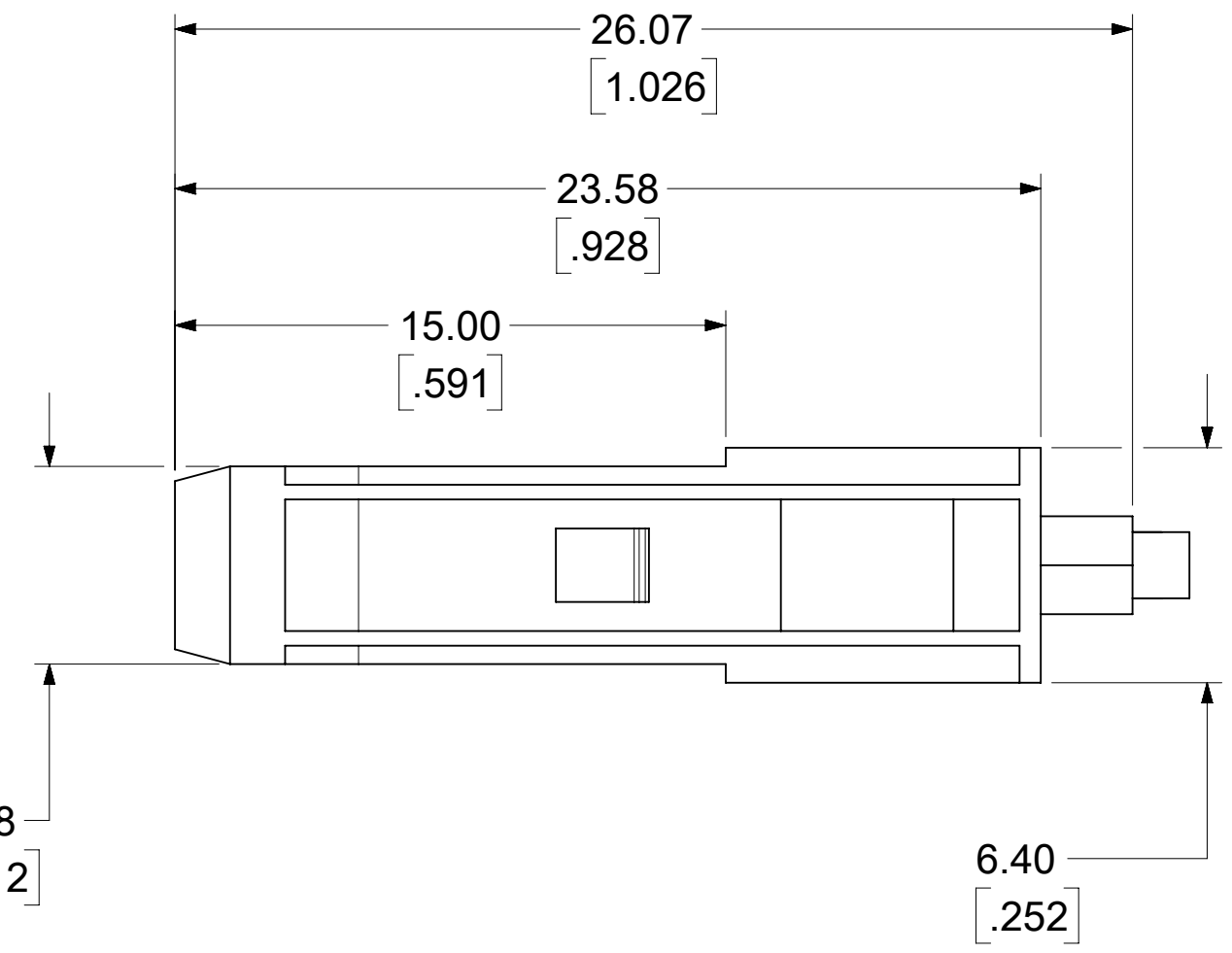
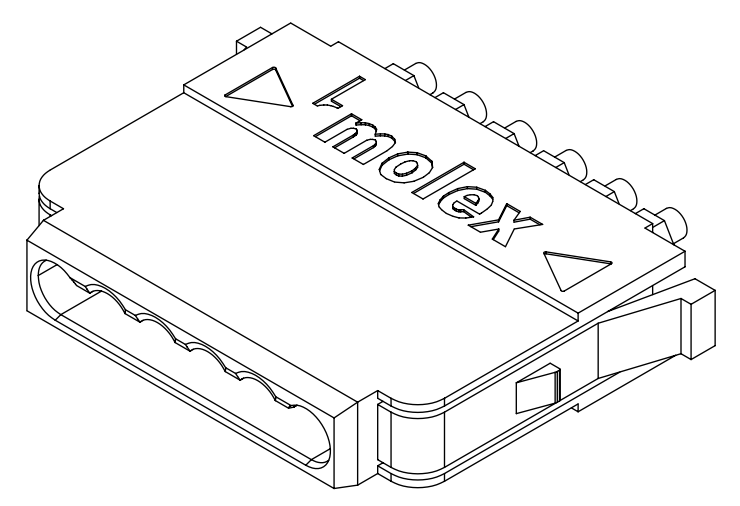
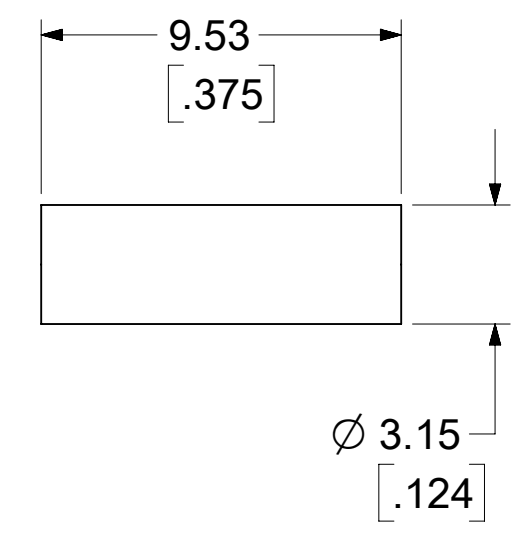
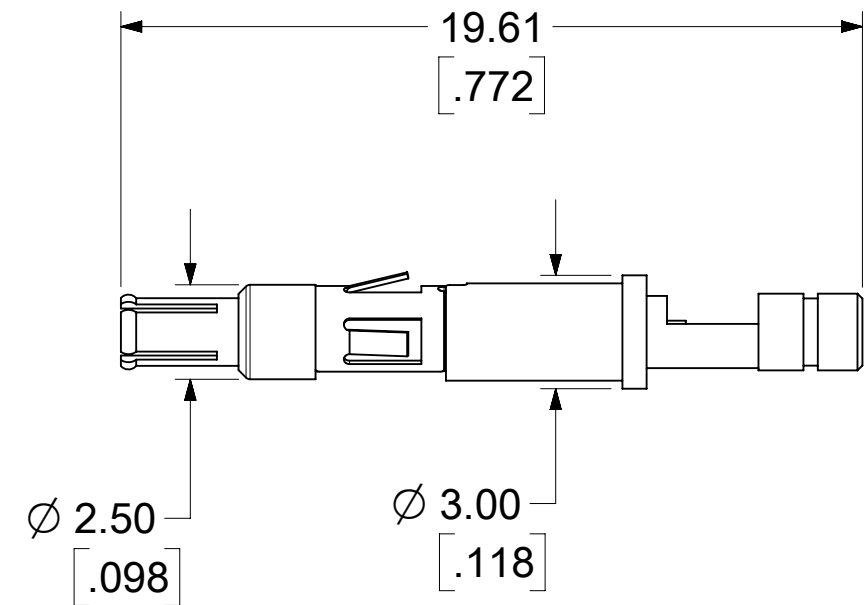
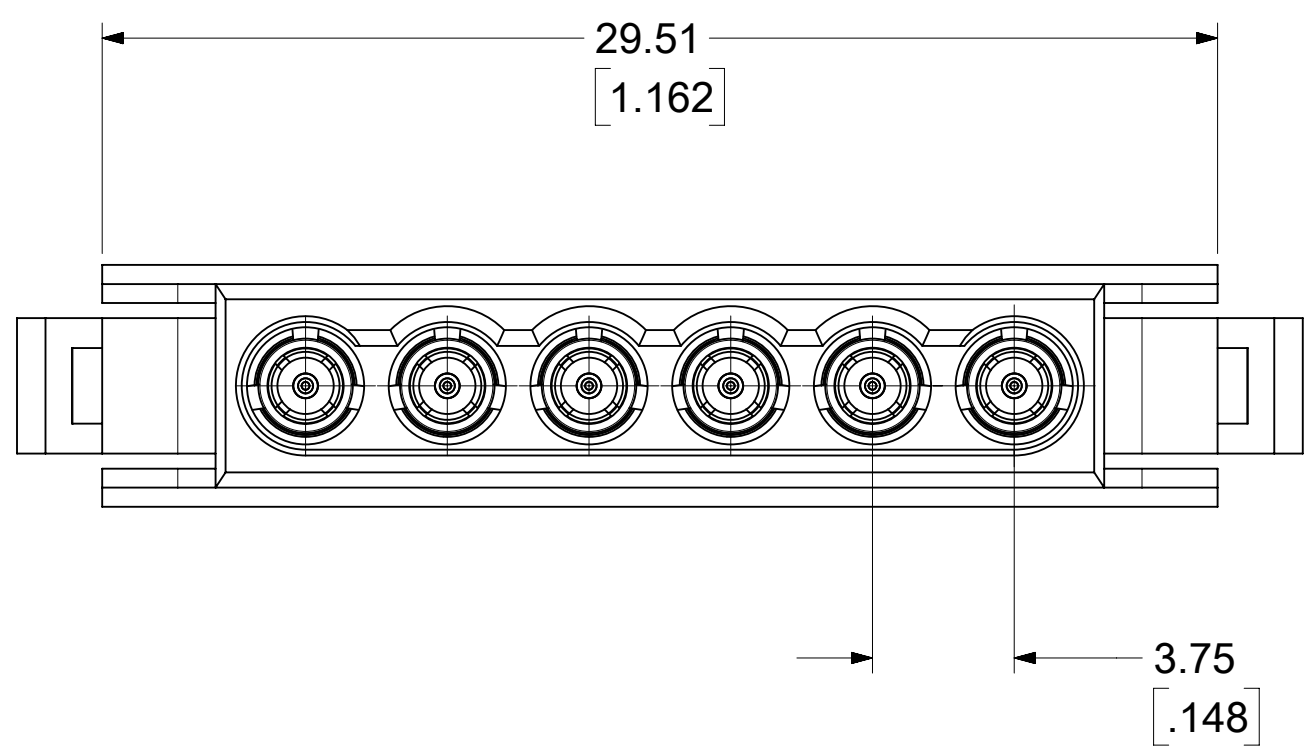
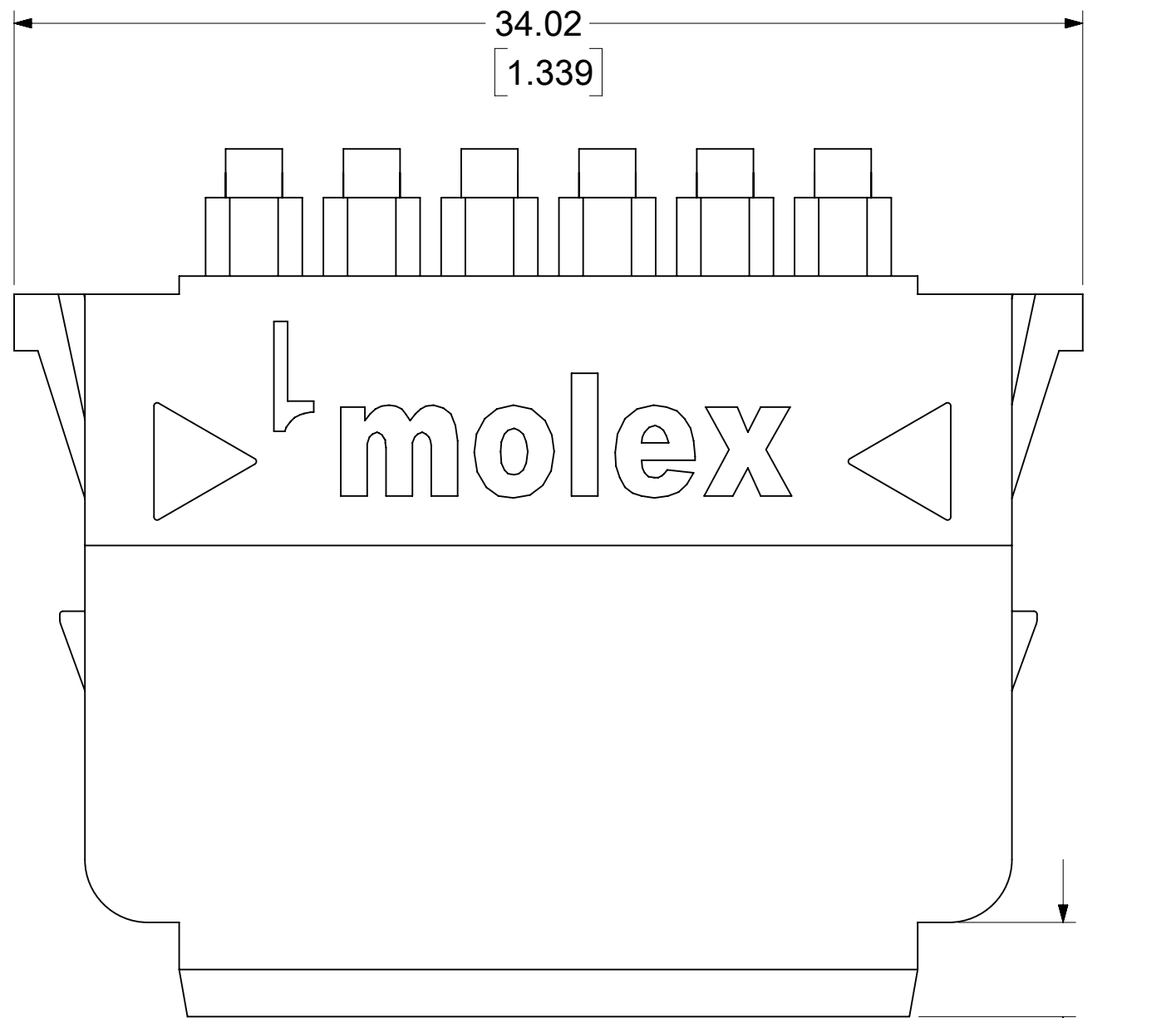
INSTALLED CONNNECTORS ARE
SHOWN FOR REFERENCE ONLY



GANG OF 8

73358-1031	STANDARD
73358-1030	NON MAGNETIC
PART NO.	STYLE

FUNCTIONAL SYMBOLS $\nabla_A = 0$ $\nabla_C = 0$ $\nabla_P = 0$ DIVISIONAL SYMBOLS 4 PLACES ± 3 PLACES ± 2 PLACES ± 1 PLACE ± 0 PLACES ±	THIS DRAWING CONTAINS INFORMATION THAT IS PROPRIETARY TO MOLEX ELECTRONIC TECHNOLOGIES, LLC AND SHOULD NOT BE USED WITHOUT WRITTEN PERMISSION		CURRENT REV DESC: EWR-14515-A ADDED ASSEMBLY PROCESS		<p>MPRF GANG OF 4/6/8 PLUG 50 OHMS RG178 SIDE LATCH EWR-4895 MPRF-PC</p>			
	MM/INCH	NTS	EC NO: 665013	2021/05/25				
	GENERAL TOLERANCES (UNLESS SPECIFIED)		DRWN: JSU18	2021/06/02				
	ANGULAR TOL ± 2.0°		CHK'D: YCHENG	2021/06/02				
DRAFT WHERE APPLICABLE MUST REMAIN WITHIN DIMENSIONS		THIRD ANGLE PROJECTION	DRAWING	SERIES	DOCUMENT NUMBER	DOC TYPE	DOC PART	REVISION
			C-SIZE	73358	SD-73358-103	PSD	001	A5
					MATERIAL NUMBER	CUSTOMER	SHEET NUMBER	
						GENERAL MARKET	1 OF 5	

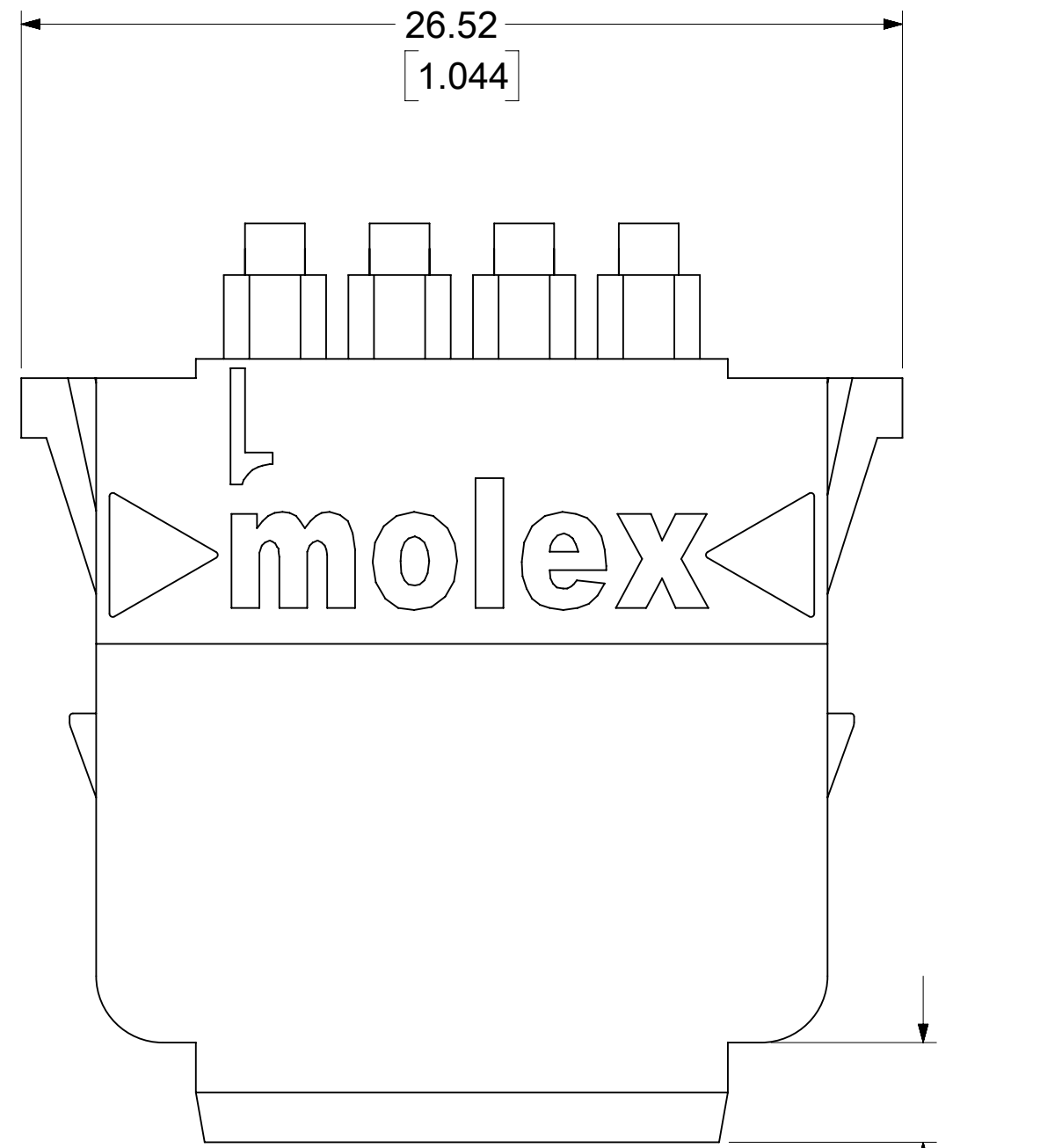


GANG OF 6

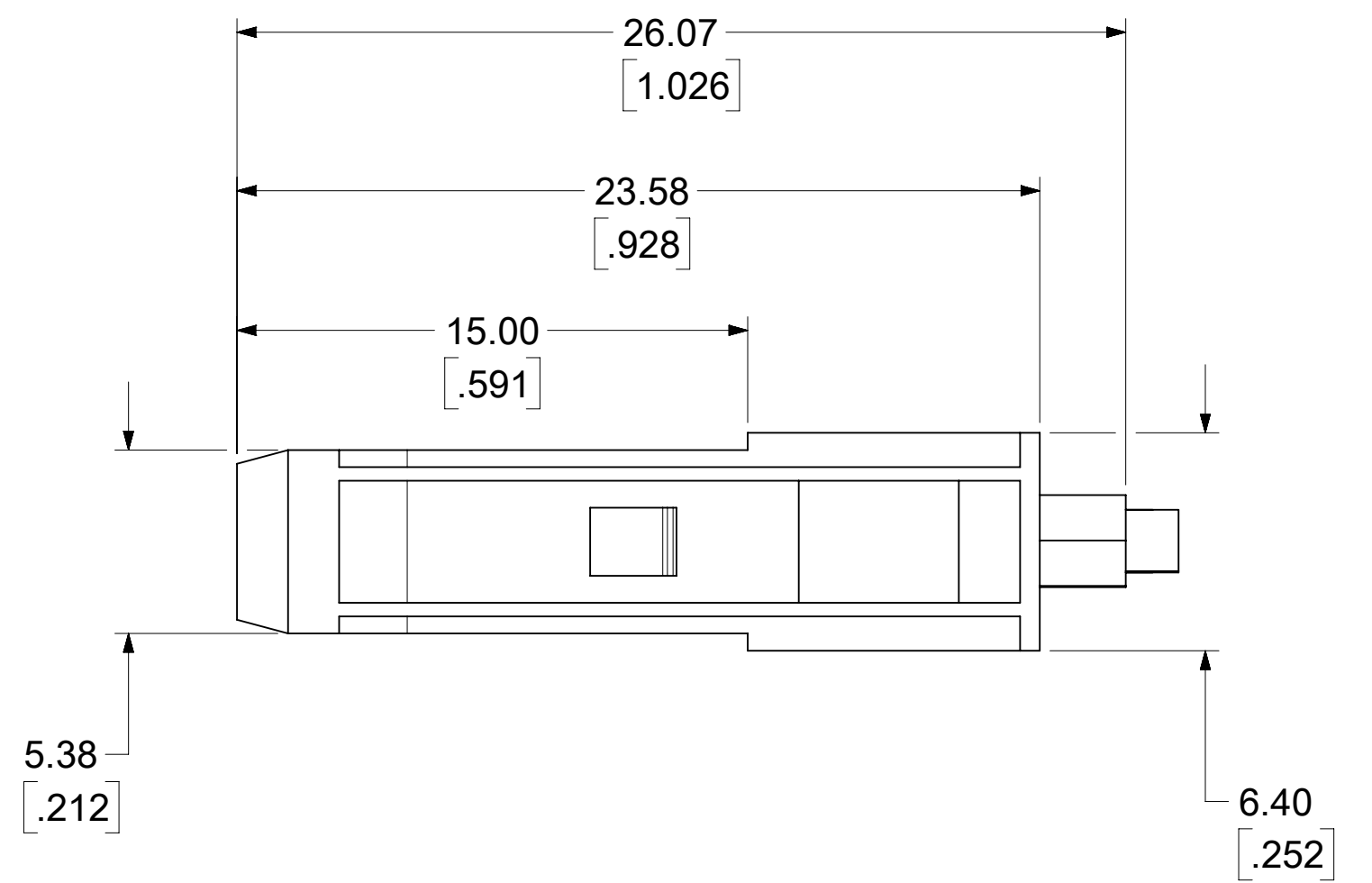
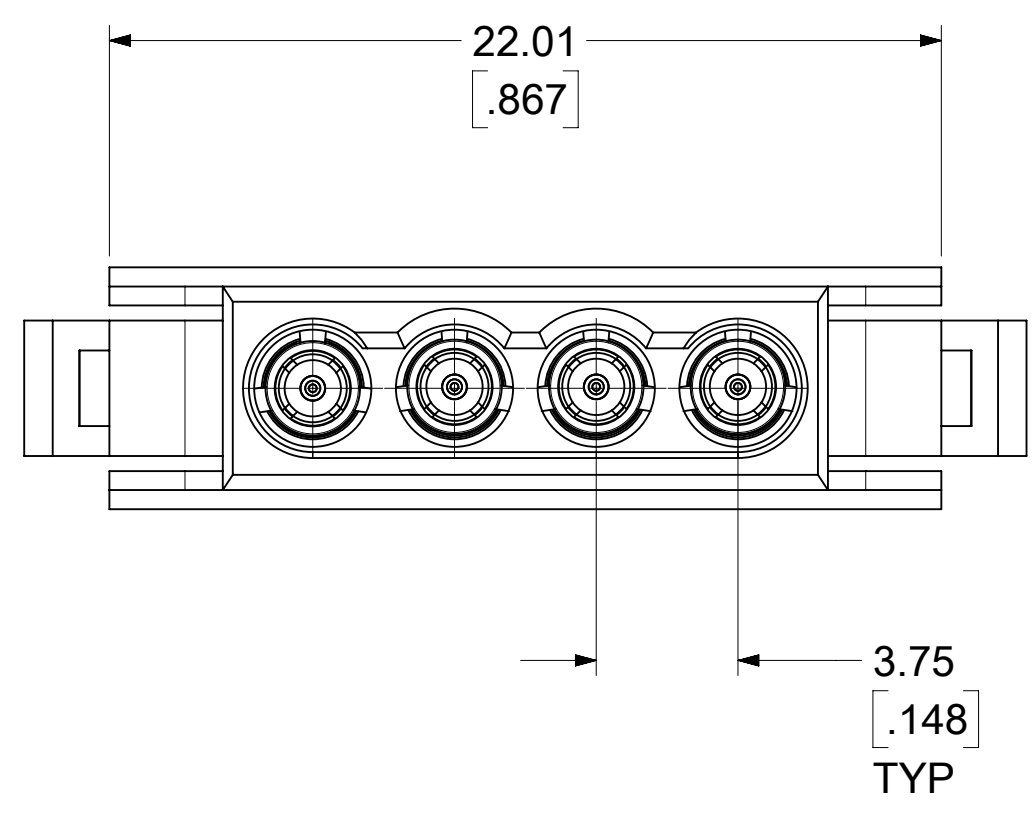
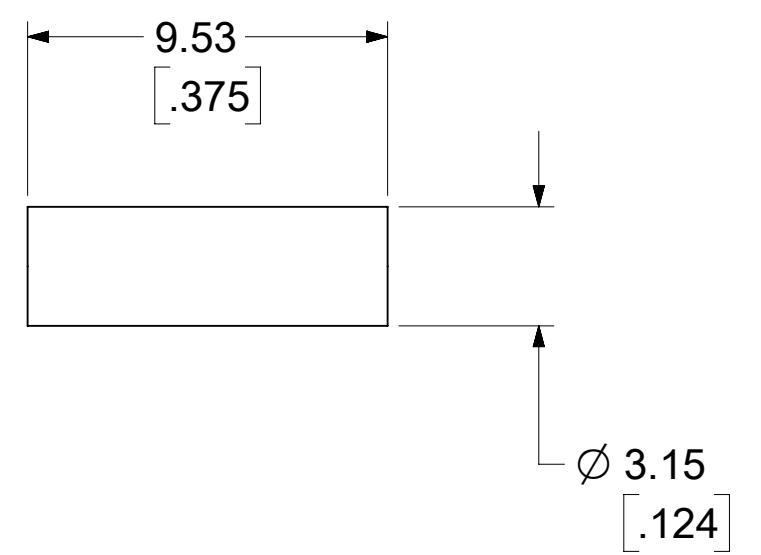
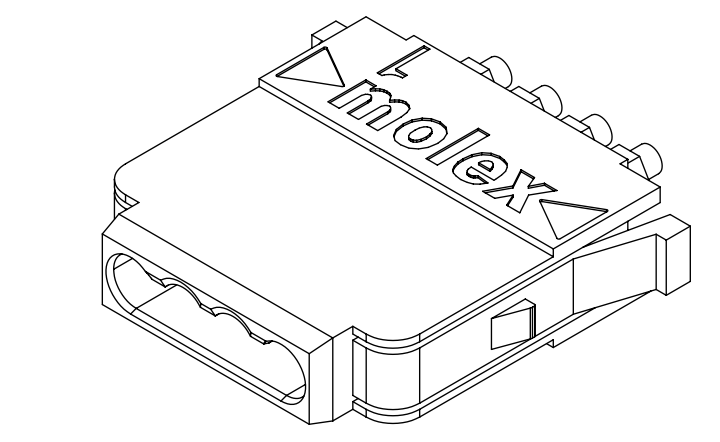
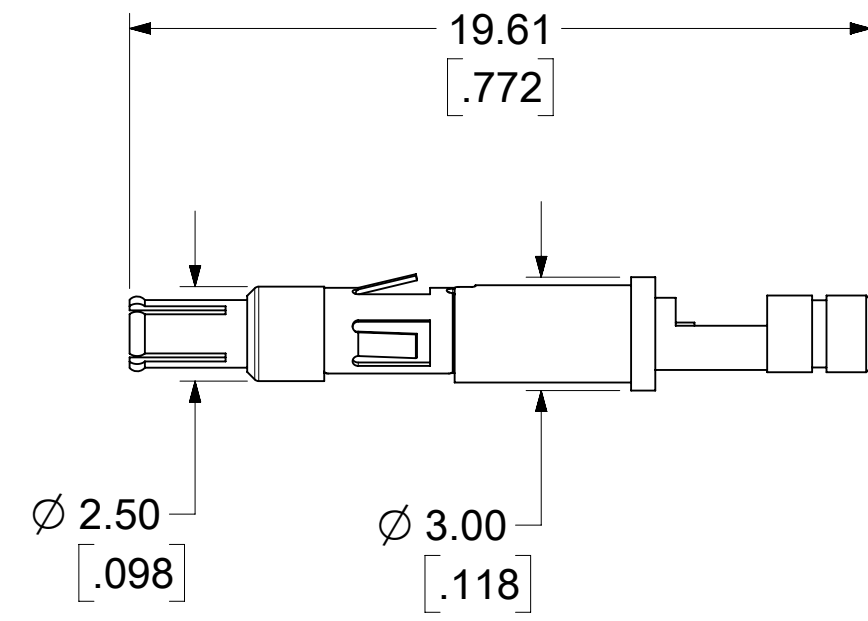
73358-1033	STANDARD
73358-1032	NON MAGNETIC
PART NO.	STYLE

FUNCTIONAL SYMBOLS	THIS DRAWING CONTAINS INFORMATION THAT IS PROPRIETARY TO MOLEX ELECTRONIC TECHNOLOGIES, LLC AND SHOULD NOT BE USED WITHOUT WRITTEN PERMISSION										
	DIMENSION UNITS	SCALE	CURRENT REV DESC:								
$\frac{F}{A} = 0$	MM/INCH	NTS	EWR-14515-A ADDED ASSEMBLY PROCESS								
$\frac{E}{C} = 0$	GENERAL TOLERANCES (UNLESS SPECIFIED)										
$\frac{E}{P} = 0$	ANGULAR TOL $\pm 2.0^\circ$										
DIVISIONAL SYMBOLS	4 PLACES	\pm	EC NO: 665013								MPRF GANG OF 4/6/8 PLUG 50 OHMS RG178 SIDE LATCH EWR-4895 MPRF-PC
	3 PLACES	\pm	DRWN: JSU18 2021/05/25								
	2 PLACES	\pm	CHK'D: YCHENG 2021/06/02								
	1 PLACE	\pm	APPR: YCHENG 2021/06/02								
0 PLACES	\pm	INITIAL REVISION:								PRODUCT CUSTOMER DRAWING	
DRAFT WHERE APPLICABLE MUST REMAIN WITHIN DIMENSIONS		THIRD ANGLE PROJECTION		DRAWING		SERIES		DOCUMENT NUMBER	DOC TYPE	DOC PART	REVISION
				C-SIZE		73358		SD-73358-103	PSD	001	A5
								MATERIAL NUMBER	CUSTOMER		SHEET NUMBER
									GENERAL MARKET		2 OF 5

DOCUMENT STATUS	P1	RELEASE DATE	2021/06/02	10:07:25
-----------------	----	--------------	------------	----------



INSTALLED CONNNECTORS ARE SHOWN FOR REFERENCE ONLY



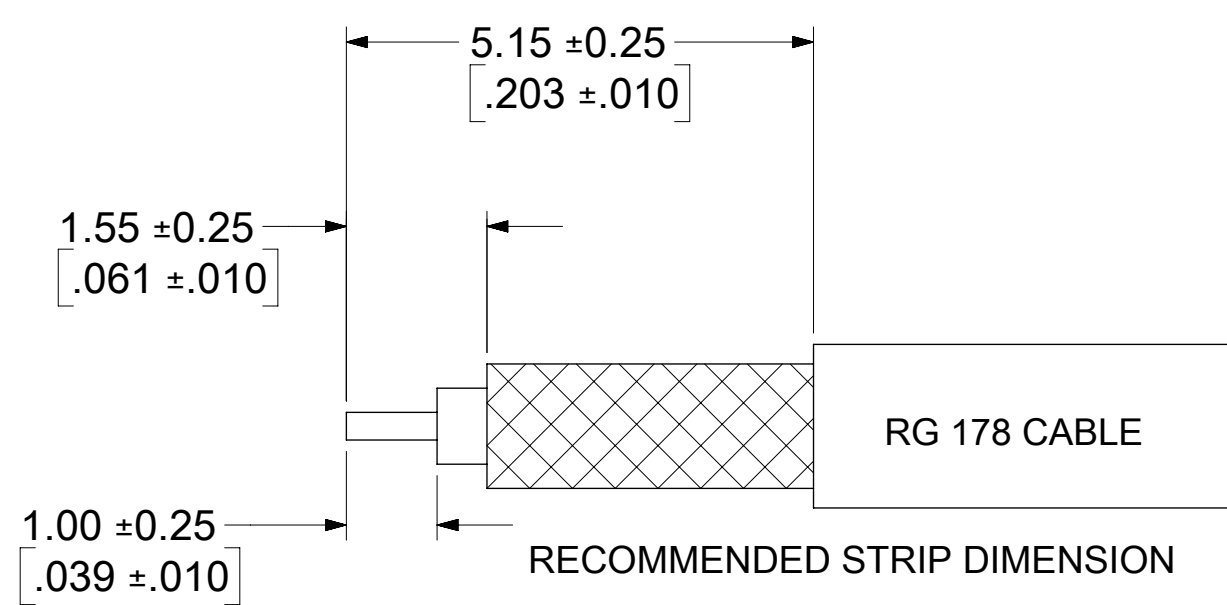
GANG OF 4

73358-1035	STANDARD
73358-1034	NON MAGNETIC
PART NO.	STYLE

FUNCTIONAL SYMBOLS $\nabla_A = 0$ $\nabla_C = 0$ $\nabla_P = 0$ DIVISIONAL SYMBOLS 4 PLACES ± 3 PLACES ± 2 PLACES ± 1 PLACE ± 0 PLACES ±	THIS DRAWING CONTAINS INFORMATION THAT IS PROPRIETARY TO MOLEX ELECTRONIC TECHNOLOGIES, LLC AND SHOULD NOT BE USED WITHOUT WRITTEN PERMISSION		CURRENT REV DESC:				
	DIMENSION UNITS	SCALE	EWR-14515-A ADDED ASSEMBLY PROCESS				
	MM/INCH	NTS	EC NO: 665013 DRWN: JSU18 2021/05/25 CHK'D: YCHENG 2021/06/02 APPR: YCHENG 2021/06/02				
	GENERAL TOLERANCES (UNLESS SPECIFIED)		INITIAL REVISION: DRWN: SSHAH 2013/02/05 APPR: JWIENER 2013/05/16				
ANGULAR TOL ± 2.0°		PRODUCT CUSTOMER DRAWING		DOCUMENT NUMBER	DOC TYPE	DOC PART	REVISION
DRAFT WHERE APPLICABLE MUST REMAIN WITHIN DIMENSIONS		THIRD ANGLE PROJECTION	DRAWING	SERIES	SD-73358-103		PSD 001 A5
			C-SIZE	73358	MATERIAL NUMBER	CUSTOMER	SHEET NUMBER
					GENERAL MARKET		3 OF 5

1

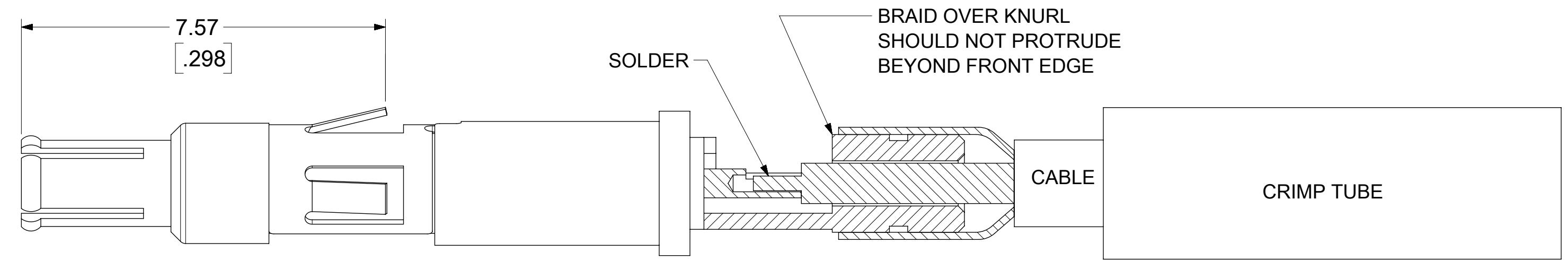
1. CUT AND STRIP CABLE PER DIMENSION SHOWN.



2

1. FLARE BRAID AND INSERT CABLE INTO CONNECTOR UNTIL CABLE DIELECTRIC BOTTOMS ON CONTACT. MAKE SURE CABLE BRAID DOES NOT PROTRUDE BEYOND FRONT EDGE AS SHOWN.

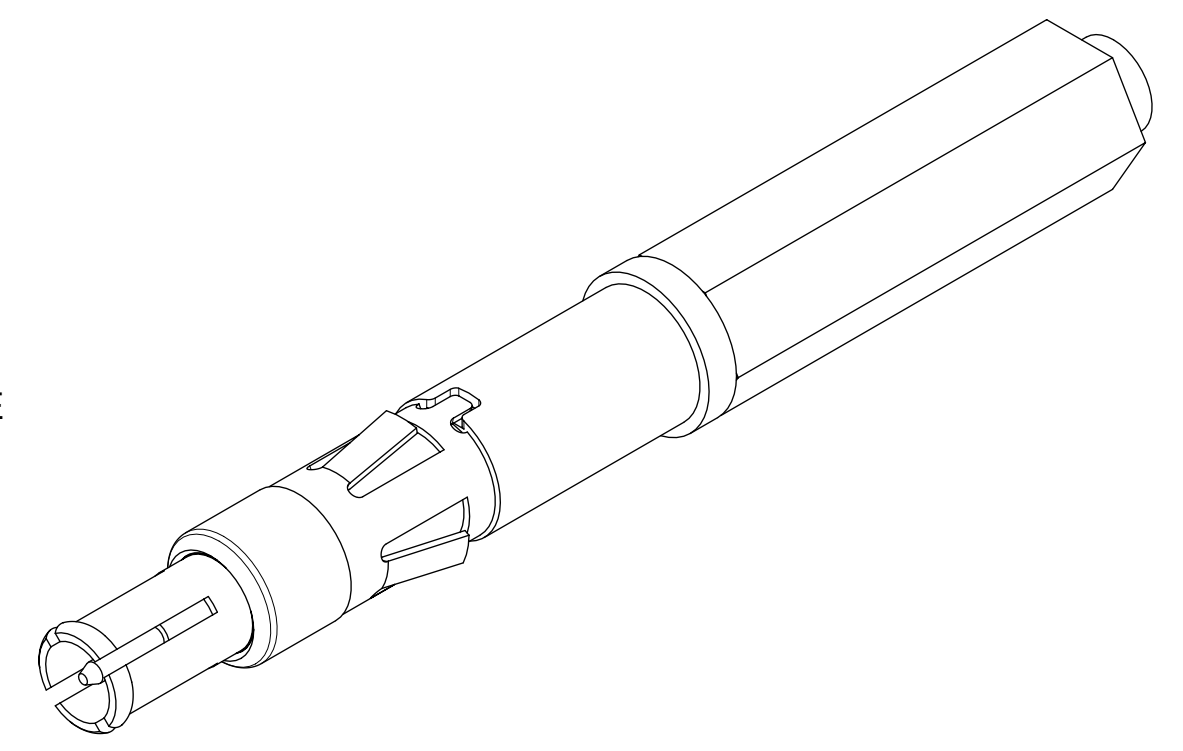
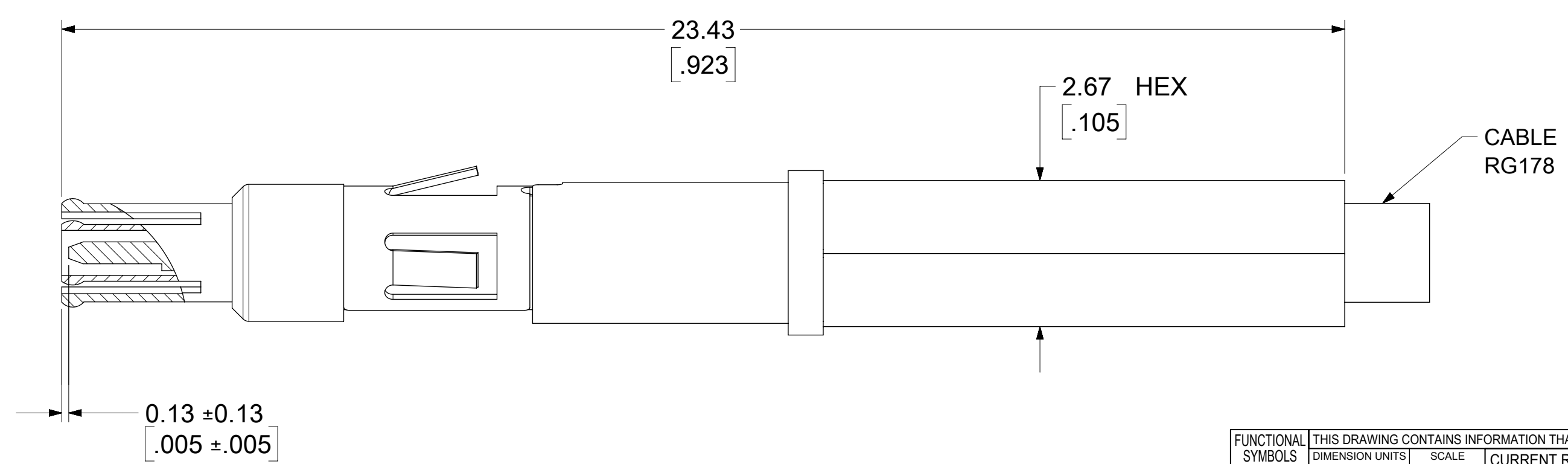
2. SOLDER CABLE CENTER CONDUCTOR TO CONTACT AS SHOWN. NO SOLDER ALLOWED BEYOND CONTACT O.D.



3

1. POSITION CRIMP TUBE FLUSH TO BODY FLANGE AS SHOWN AND CRIMP IT TO 2.67 [.105] HEX SIZE.

2. VERIFY CONTACT DIMENSION.

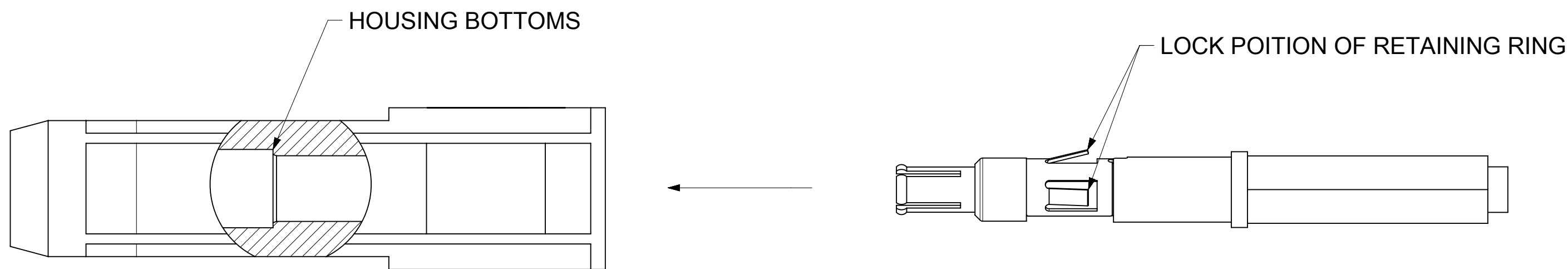


THIS DRAWING CONTAINS INFORMATION THAT IS PROPRIETARY TO MOLEX ELECTRONIC TECHNOLOGIES, LLC AND SHOULD NOT BE USED WITHOUT WRITTEN PERMISSION											
FUNCTIONAL SYMBOLS		DIMENSION UNITS		SCALE		CURRENT REV DESC:					
FA = 0		MM/INCH		NTS		EWR-14515-A ADDED ASSEMBLY PROCESS					
FC = 0		GENERAL TOLERANCES (UNLESS SPECIFIED)						EC NO: 665013			
FP = 0		ANGULAR TOL ± 2.0°						4 PLACES ±		2021/05/25	
DIVISIONAL SYMBOLS		3 PLACES ±		2021/06/02		DRWN: JSU18		2021/06/02		MPRF GANG OF 4/6/8 PLUG 50 OHMS RG178 SIDE LATCH EWR-4895 MPRF-PC	
		2 PLACES ±		2021/06/02		CHK'D: YCHENG				PRODUCT CUSTOMER DRAWING	
		1 PLACE ±				APPR: YCHENG				DOCUMENT NUMBER	
		0 PLACES ±				INITIAL REVISION:				SD-73358-103	
		DRAFT WHERE APPLICABLE MUST REMAIN WITHIN DIMENSIONS		THIRD ANGLE PROJECTION		DRAWING		SERIES		MATERIAL NUMBER	
						C-SIZE		73358		CUSTOMER	
										GENERAL MARKET	
										SHEET NUMBER	
										4 OF 5	

DOCUMENT STATUS	P1	RELEASE DATE	2021/06/02	10:07:25
-----------------	----	--------------	------------	----------

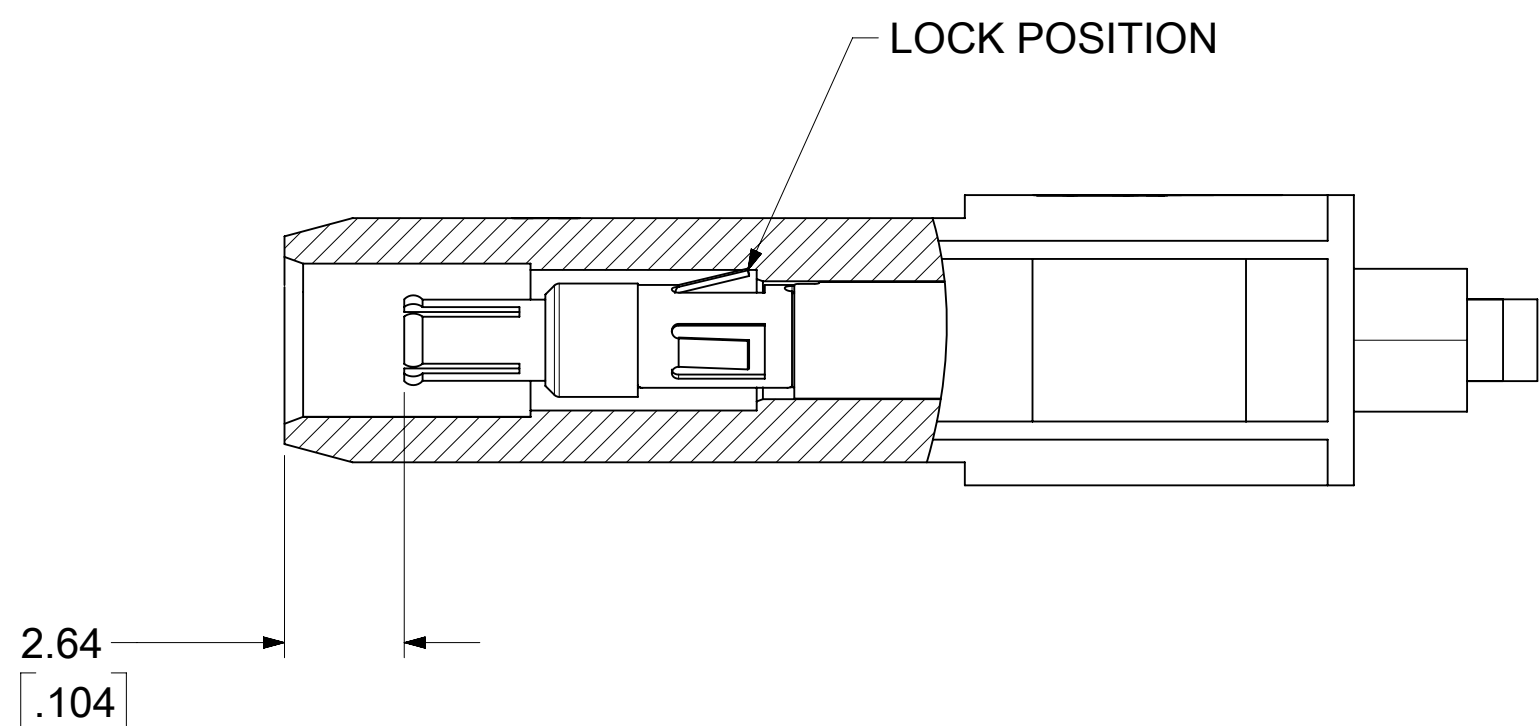
4

1. MANUAL AND INSERT CABLE ASSEMBLY TO HOUSING UNTIL LOCK POSITION ON HOUSING BOTTOMS



5

1. VERIFY LOCK POSITION WITH DIMENSION AS SHOWN



FUNCTIONAL SYMBOLS	THIS DRAWING CONTAINS INFORMATION THAT IS PROPRIETARY TO MOLEX ELECTRONIC TECHNOLOGIES, LLC AND SHOULD NOT BE USED WITHOUT WRITTEN PERMISSION												
	DIMENSION UNITS	SCALE	CURRENT REV DESC:							molex			
$\frac{F}{A} = 0$	MM/INCH	NTS	EWR-14515-A ADDED ASSEMBLY PROCESS									MPRF GANG OF 4/6/8 PLUG 50 OHMS RG178 SIDE LATCH EWR-4895 MPRF-PC	
$\frac{F}{C} = 0$	GENERAL TOLERANCES (UNLESS SPECIFIED)		EC NO: 665013							PRODUCT CUSTOMER DRAWING			
$\frac{F}{P} = 0$	ANGULAR TOL $\pm 2.0^\circ$		4 PLACES \pm				DRWN: JSU18 2021/05/25			DOCUMENT NUMBER			
DIVISIONAL SYMBOLS	3 PLACES \pm		CHK'D: YCHENG 2021/06/02				INITIAL REVISION:		DOC TYPE		DOC PART	REVISION	
	2 PLACES \pm		APPR: YCHENG 2021/06/02				DRWN: SSHAH 2013/02/05		SD-73358-103		PSD	001	A5
	1 PLACE \pm		APPR: JWIENER 2013/05/16				SERIES		MATERIAL NUMBER		CUSTOMER		SHEET NUMBER
	0 PLACES \pm		DRAFT WHERE APPLICABLE MUST REMAIN WITHIN DIMENSIONS				THIRD ANGLE PROJECTION	DRAWING	SERIES	GENERAL MARKET	5 OF 5		

DOCUMENT STATUS	P1	RELEASE DATE	2021/06/02	10:07:25
-----------------	----	--------------	------------	----------