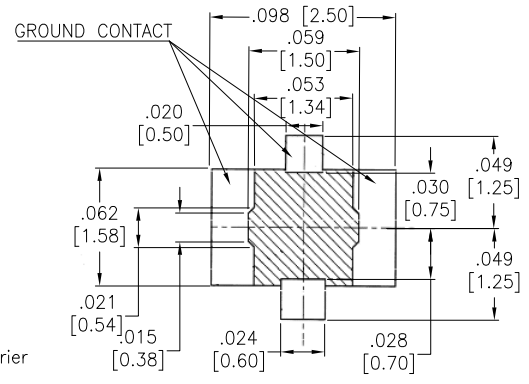
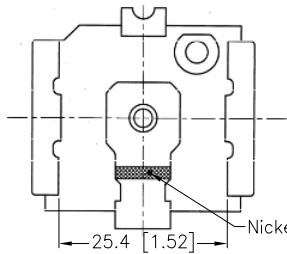
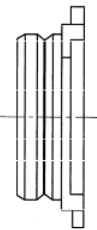
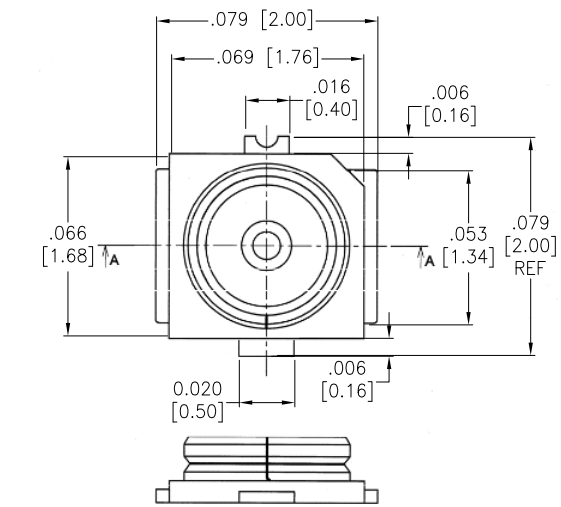


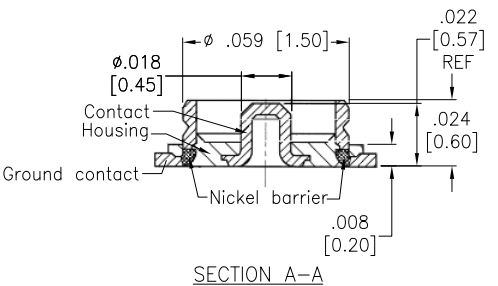
APPROVED: _____

DATE: _____ TITLE: _____

Rev	AWO #	Description	Date	Appr
-		RELEASED	9/5/19	
A		UPDATED DRAWING	1/25/22	JJ/AC1



RECOMMENDED PCB LAYOUT



SECTION A-A

SPECIFICATIONS:

Material:
 Insulator: Hi-Temp Thermoplastic, rated UL 94V-0
 Insulator color: Black
 Contacts: Copper alloy, Gold plated
 Electrical:
 Frequency range: DC~6 GHz
 Impedance: 50 Ohms
 Voltage: 60 VAC
 VSWR: 1.3 max @ 0.1~3.0 GHz
 1.4 max @ 3.0~6.0 GHz
 Temperature Rating:
 Operating temperature: -40°C to +80°C
 Environmental:
 Lead free, RoHS compliant



PACKAGED ON TAPE & REEL

UNLESS OTHERWISE SPECIFIED ALL DIMENSIONS ARE INCHES [MM]. TOLERANCES: EXCEPT AS NOTED

INCHES		HOLES	
.X	± .10	∅.X	± .10
.XX	± .020	∅.XX	± .015
.XXX	± .015	∅.XXX	± .010

ADAM TECH 909 Rahway Avenue,
 Union, NJ 07083
 Phone: 908-687-5000
 Fax: 908-687-5710

DRAWN	OW	9/5/19
CHECKED	RC	9/5/19
APPROVED		

TITLE
**RF CONNECTOR, TYPE MHF, 50 OHMS
 VERTICAL, TAPE & REEL**

THIS DRAWING CONTAINS INFORMATION THAT IS PROPRIETARY AND SHOULD NOT BE USED WITHOUT PRIOR WRITTEN PERMISSION FROM ADAM TECH

SIZE X	PART NO. RF20-10A-L-00-50-G-TR	REV. A
REF: S00291T	SCALE: NTS	SHEET 1 OF 1