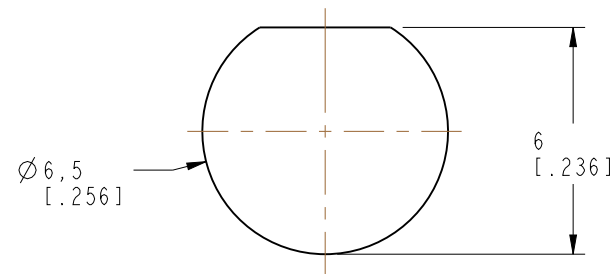


NOTES:

1. MATERIALS AND FINISHES:
 BODY - BRASS, GOLD PLATING
 CONTACT - BERYLLIUM COPPER, GOLD PLATING
 INSULATOR & INSULATOR DISC - PTFE, NATURAL
 FERRULE - BRASS, NICKEL PLATING
2. ELECTRICAL:
 A. IMPEDANCE: 50 OHM
 B. FREQUENCY RANGE: DC - 20 GHz
 C. VSWR (RETURN LOSS): 1.20 MAX. (-20.83 dB MIN.) @ DC - 6 GHz
3. MECHANICAL:
 A. DURABILITY: 500 CYCLES MIN.
 B. TEMPERATURE RANGE: -65°C TO +165°C

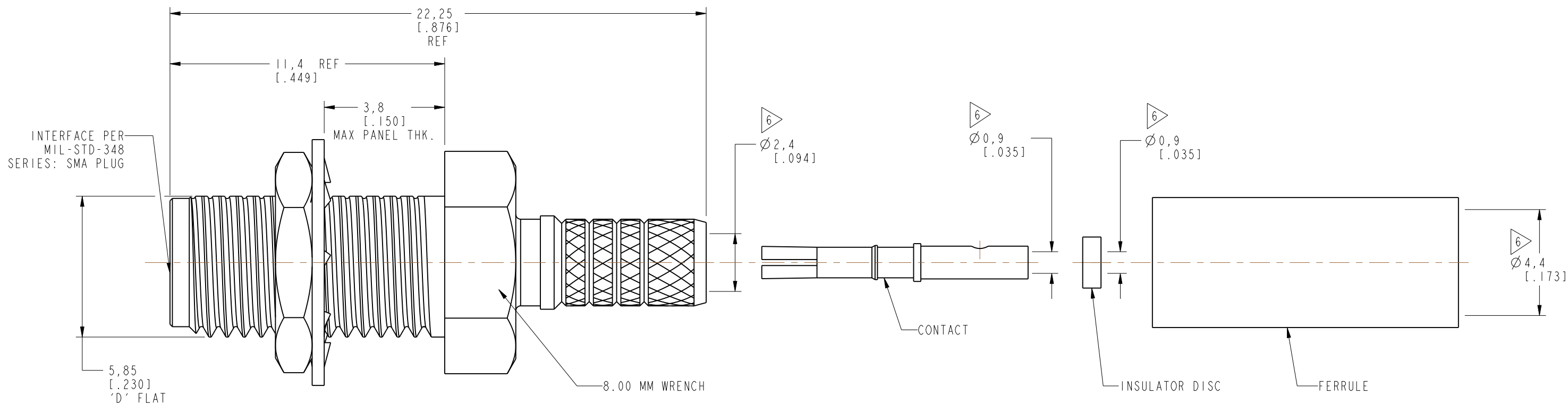
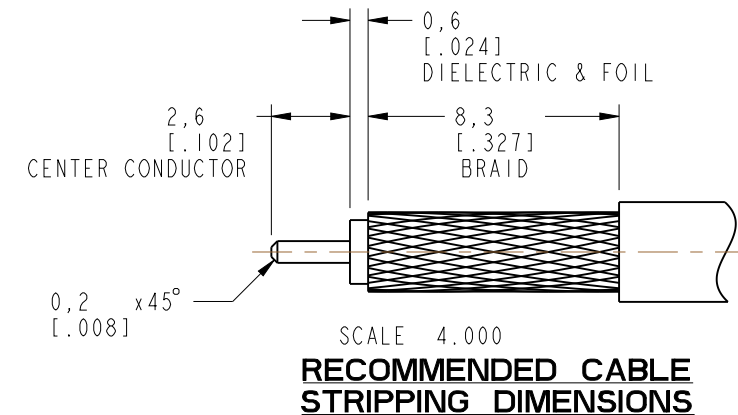
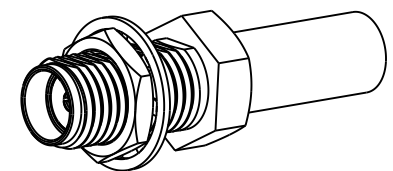
4. PACKAGING:
 A. QUANTITY: SINGLE PACK
 B. MARKING: BAG TO BE MARKED
 "AMPHENOL RF, 901-10736 & DATE CODE"
5. CABLE ASSEMBLY INSTRUCTIONS:
 A. TRIM CABLE AS SHOWN.
 B. SLIDE FERRULE & INSULATOR DISC ONTO CABLE.
 C. SOLDER CABLE CENTER CONDUCTOR TO CONTACT.
 D. INSERT CABLE, UNTIL IT BOTTOMS, WITH FOIL ENTERING CONNECTOR AND BRAID OVER KNURL.
 E. CRIMP FERRULE OVER BRAID WITH .178" HEX DIE.

6 SHOWS CABLE ENTRY DIMENSIONS.



RECOMMENDED MOUNTING HOLE DIMENSIONS

| REVISIONS | | | | |
|-----------|-----------------|----------|-------|------|
| REV | DESCRIPTION | DATE | ECN | APPR |
| A | RELEASE TO MFG. | 9-APR-21 | 15641 | SH |



CUSTOMER OUTLINE DRAWING
 ALL OTHER SHEETS ARE FOR INTERNAL USE ONLY

| | | | | | | | | | |
|--|--|---|--|---------------------------|--|---|--|---|--|
| NOTICE: These drawings, specifications, or other data (1) are, and remain the property of Amphenol corp. (2) must be returned upon request; and (3) are confidential and not to be disclosed to any person other than those to whom they are given by Amphenol Corp. The furnishing of these drawings, specifications, or other data by Amphenol Corp., or to any other person to anyone for any purpose is not to be regarded by implication or otherwise in any manner licensing, granting rights to permitting such holder or any other person to manufacture, use or sell any product, process or design, patented or otherwise, that may in any way be related to or disclosed by said drawings, specifications, or other data. | | UNLESS OTHERWISE SPECIFIED DIMENSIONS ARE METRIC (INCHES) AND TOLERANCES ARE: <0.5mm = ±0.05mm [-0.020 = ±0.002] >0.5 - 6mm = ±0.1mm [0.020 - 0.236 = ±0.004] >6.00 - 30mm = ±0.2mm [0.236 - 1.181 = ±0.008] >30.00 - 120mm = ±0.3mm [1.181 - 4.725 = ±0.012] | | MATERIAL SEE BOM TABLE | | TITLE SMA BULKHEAD JACK C30 CABLE GROUP RTK-031, TFC 3.3mm | | Amphenol RF | |
| THIRD ANGLE PROJ. | | REFERENCE 901-10681 | | EAR# 7949 | | ANGLES = ±1° | | ENGINEER E.W.U | |
| | | | | DATE 29-MAR-21 | | SHEET NO. 2 OF 2 | | SCALE: 7.0:1.0 | |
| | | | | | | SIZE B | | DRAWING NO. 901-10736 ITEM NO. 901-10736 PART NO. 901-10736 | |
| | | | | | | | | REV A | |