

MATERIALS AND FINISHES:

SEE PSD-85305-0232

73415-6183	85305-0232, TAPE AND REEL WITH KAPTON TAPE	1K PER REEL	1K PER CARTON
73415-6182	85305-0232, TAPE AND REEL	1K PER REEL	1K PER CARTON
73415-6181	85305-0232, TAPE AND REEL WITH KAPTON TAPE	1K PER REEL	7K PER CARTON
73415-6180	85305-0232, ONE PER BAG	ONE PER BAG	500 PER CARTON
PART NO.	PACKAGING	QUANTITY	

A4	2019/11/26	ADD -6183 PER EWR #13478-A
REV	DATE	DESCRIPTION

THIS DRAWING CONTAINS INFORMATION THAT IS PROPRIETARY TO MOLEX ELECTRONIC TECHNOLOGIES, LLC AND SHOULD NOT BE USED WITHOUT WRITTEN PERMISSION									
DIMENSION UNITS	SCALE	CURRENT REV DESC:			molex				
INCH/MM	NTS								
GENERAL TOLERANCES (UNLESS SPECIFIED)		EC NO: 628191			SMP, PLUG SMT LIMITED DETENT SMP-P/PCB				
ANGULAR TOL ± 2.0°		DRWN: RYEH 2019/11/26							
4 PLACES ±		CHK'D: YCHENG 2019/12/06			PRODUCT CUSTOMER DRAWING				
3 PLACES ±		APPR: YCHENG 2019/12/06							
2 PLACES ± 0.25		INITIAL REVISION:			DOCUMENT NUMBER SD-73415-618				
1 PLACE ±		DRWN: SSHAH 2007/05/11							
0 PLACES ±		APPR: JWIENER 2007/05/11			DOC TYPE PSD				
DRAFT WHERE APPLICABLE MUST REMAIN WITHIN DIMENSIONS		THIRD ANGLE PROJECTION		DRAWING					
				C-SIZE	73415	SEE TABLE		GENERAL MARKET	1 OF 1

DOCUMENT STATUS	P1	RELEASE DATE	2019/12/06	07:42:40
-----------------	----	--------------	------------	----------

MATERIALS AND FINISHES:

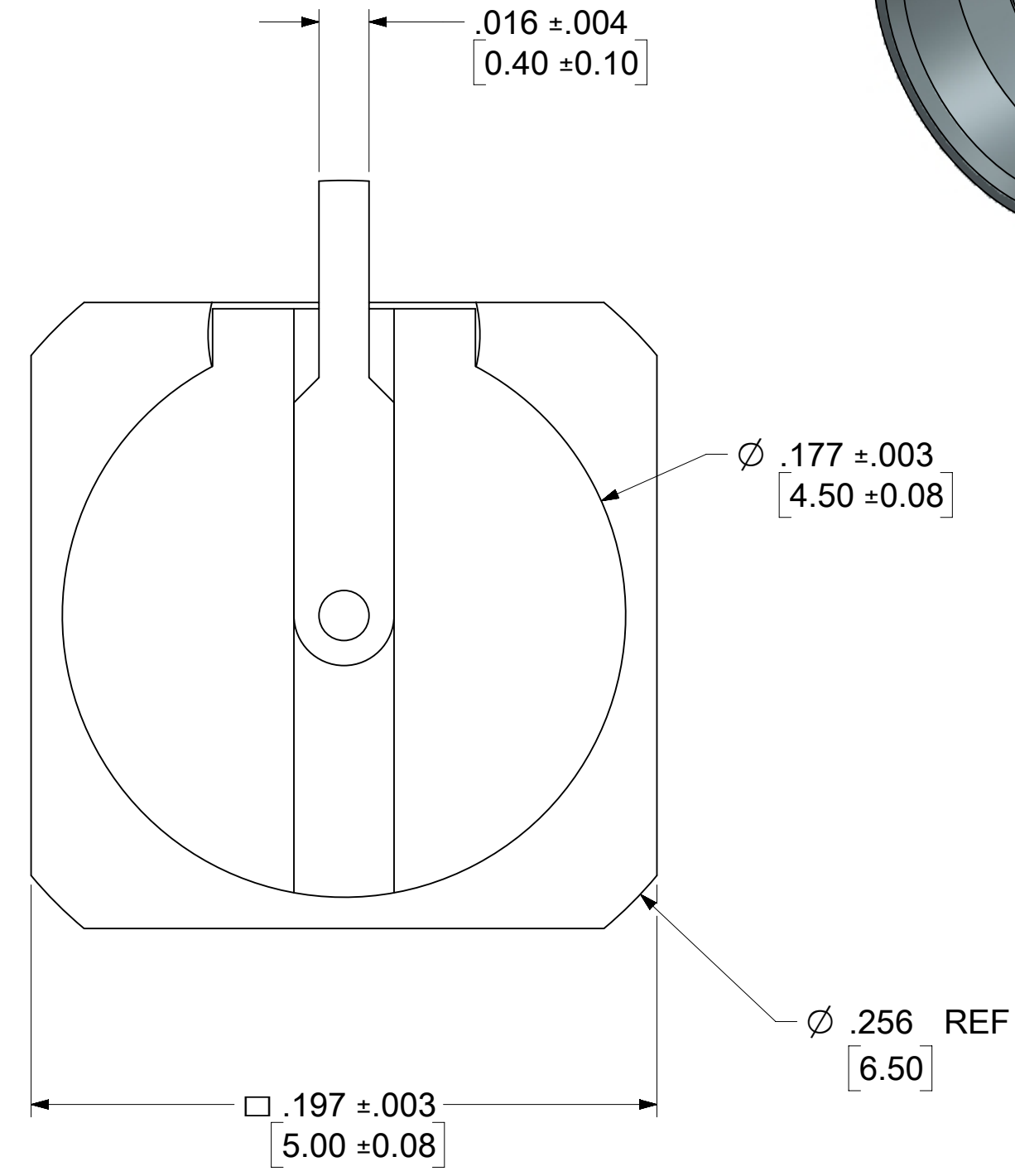
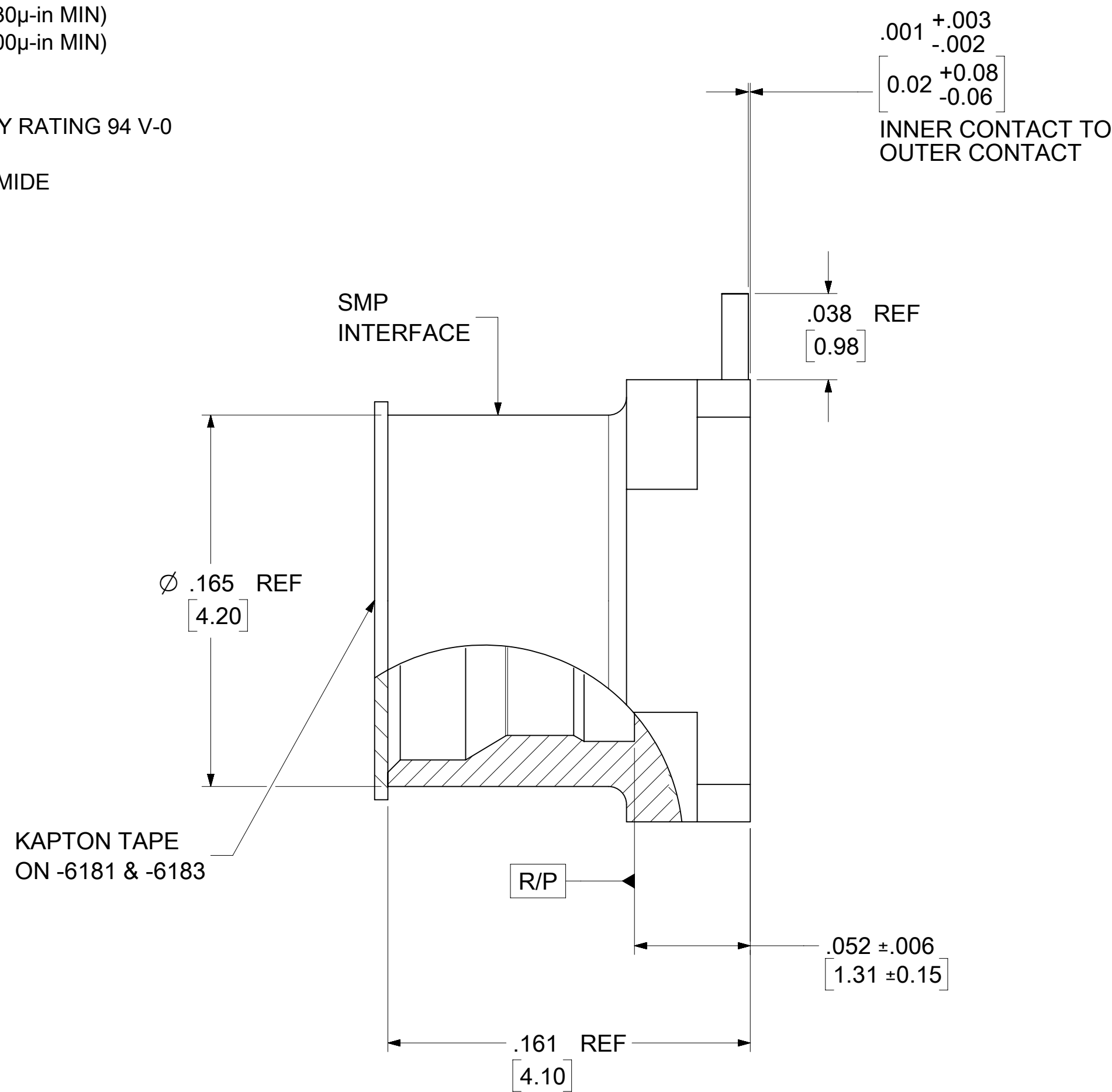
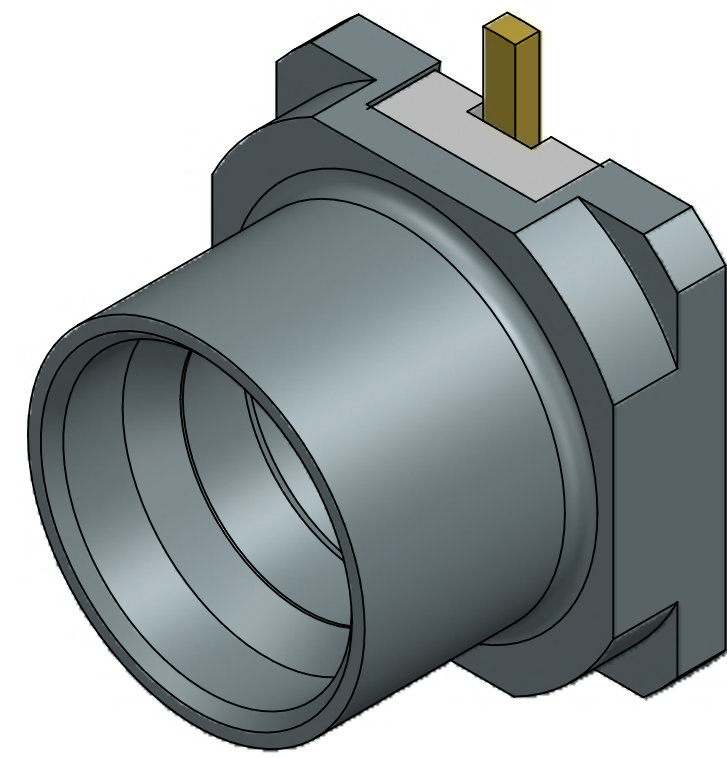
INNER & OUTER CONTACT: BRASS
 PLATED: GOLD (30μ-in MIN)
 OVER NICKEL (100μ-in MIN)

INSULATOR: LCP
 UL FLAMMABILITY RATING 94 V-0

KAPTON: POLYAMIDE
 COLOR: AMBER

TAPE: SHEET 3

REEL: SHEET 4



73415-6183	85305-0232, TAPE AND REEL WITH KAPTON TAPE	1K PER REEL	1K PER CARTON
73415-6182	85305-0232, TAPE AND REEL	1K PER REEL	1K PER CARTON
73415-6181	85305-0232, TAPE AND REEL WITH KAPTON TAPE	1K PER REEL	7K PER CARTON
73415-6180	85305-0232, ONE PER BAG	ONE PER BAG	500 PER CARTON
85305-0232	TAPE AND REEL	1K PER REEL	7K PER CARTON
PART NO.	PACKAGING	QUANTITY	

PS-89675-3320	PRODUCT SPECIFICATION
MIL-STD-248, FIG 326-3	INTERFACE, SMP, LIMITED DETENT
SPECIFICATION	DESCRIPTION

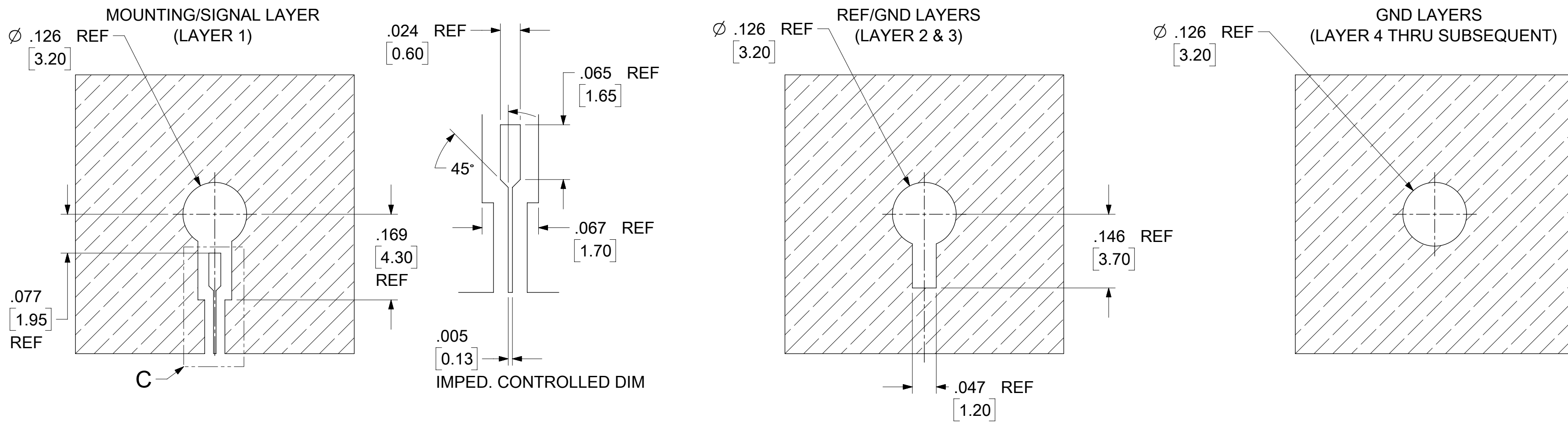
DOCUMENT STATUS	P1	RELEASE DATE	2023/02/06 04:17:23
-----------------	----	--------------	---------------------

THIS DRAWING CONTAINS INFORMATION THAT IS PROPRIETARY TO MOLEX ELECTRONIC TECHNOLOGIES, LLC AND SHOULD NOT BE USED WITHOUT WRITTEN PERMISSION

DIMENSION UNITS	SCALE	CURRENT REV DESC: SHOW BOX SIZE AND QTY IN THE BOX PER EWR #15646-A	molex		
INCH/MM	NTS				
GENERAL TOLERANCES (UNLESS SPECIFIED)			SMP, PLUG SMT LIMITED DETENT SMP-P/PCB, EWR-11818		
	MM	INCH			
4 PLACES	±	±	EC NO: 737089	2023/01/19	
3 PLACES	±	± 0.005	DRWN: RYEH	2023/02/06	
2 PLACES	± 0.13	± 0.01	CHK'D: YCHENG	2023/02/06	
1 PLACE	± 0.25	±	APPR: YCHENG	2023/02/06	
0 PLACES	±	±	INITIAL REVISION:		
ANGULAR TOL	± 2.0 °		DRWN: AROBERTSON	2005/07/29	
DRAFT WHERE APPLICABLE MUST REMAIN WITHIN DIMENSIONS			APPR: JWIENER	2005/08/01	
THIRD ANGLE PROJECTION			DRAWING	SERIES	DOCUMENT NUMBER
C-SIZE			85305	SD-85305-0232	DOC TYPE DOC PART REVISION
MATERIAL NUMBER			CUSTOMER	SEE TABLE	
SHEET NUMBER			1 OF 5		

PCB CONNECTOR LAUNCH / PAD (FOR REFERENCE ONLY)

ALL HATCHED SURFACES SHOWN BELOW ARE COPPER (Cu)



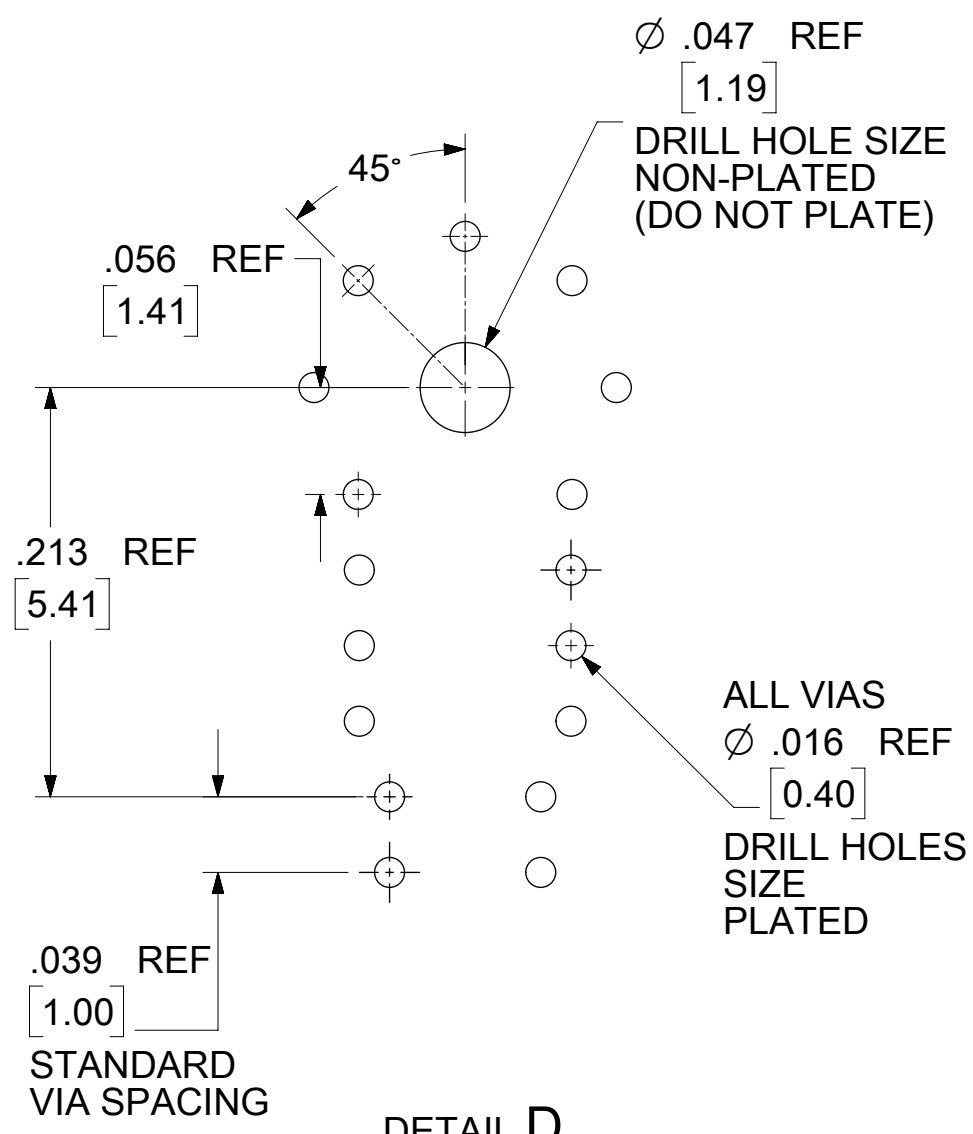
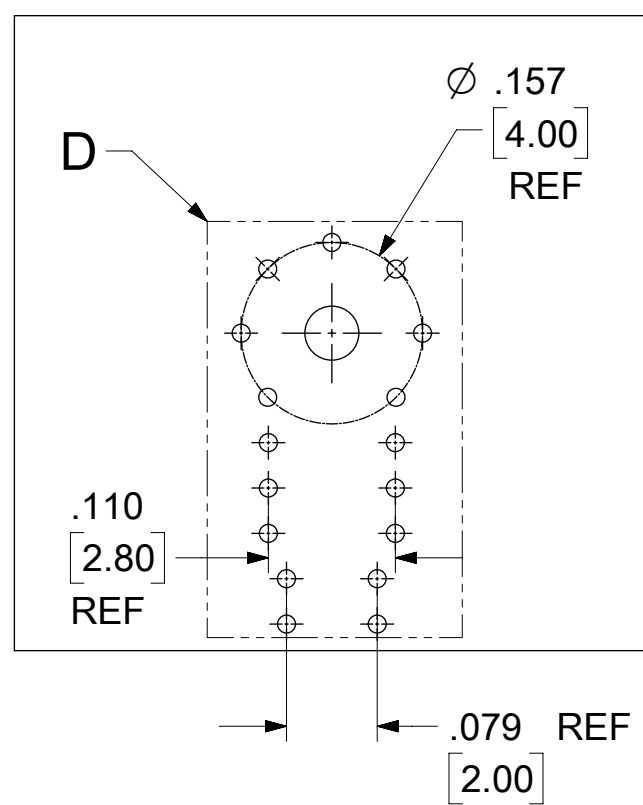
DETAIL C

PCB STACK UP

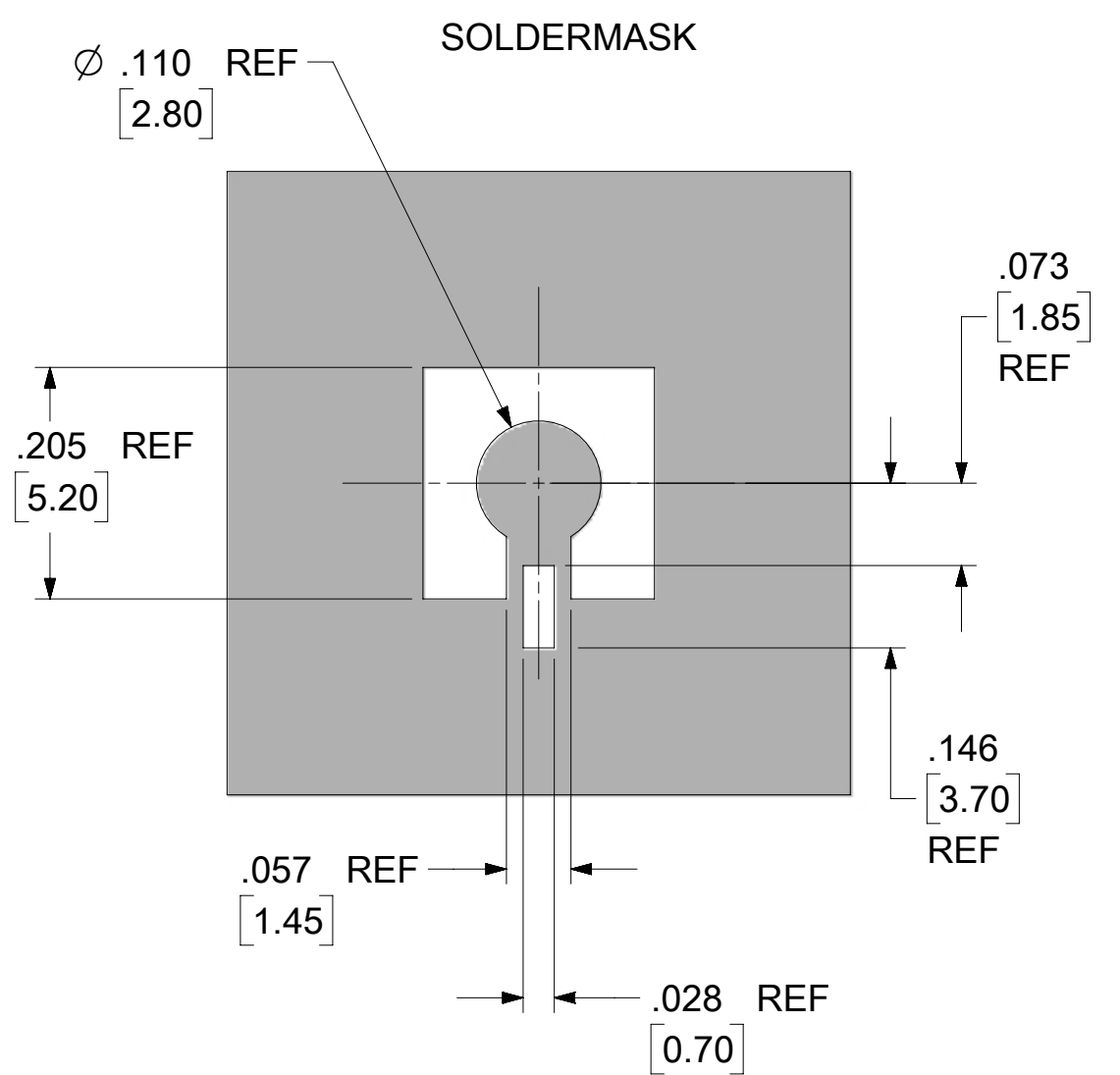
LAYER	MATERIAL	Dk	THICKNESS (MM)
1	1/2 oz. Cu + PLATING		0.0434
	ISOLA FR408	3.67	0.07
2	1/2 oz. Cu		0.018
	ISOLA FR408	3.67	0.1464
3	1/2 oz. Cu		0.018
	ISOLA FR408	3.67	0.6784
4*	1/2 oz. Cu		0.018

* SUBSEQUENT LAYERS MAY BE ADDED AS REQUIRED FOR INDIVIDUAL APPLICATIONS

VIAS AND THRU HOLES



DETAIL D



TYPICAL PERFORMANCE CHARACTERISTICS WITH CONNECTOR AND PCB LAUNCH SHOWN

Typical Return Loss	FREQUENCY BAND
20dB	DC TO 18GHz

VARYING PCB STACKUPS AND PCB LAUNCH WILL RESULT IN VARYING RESULTS

CONTACT MOLEX RF / MICROWAVE FOR APPLICATION SPECIFIC ASSISTANCE

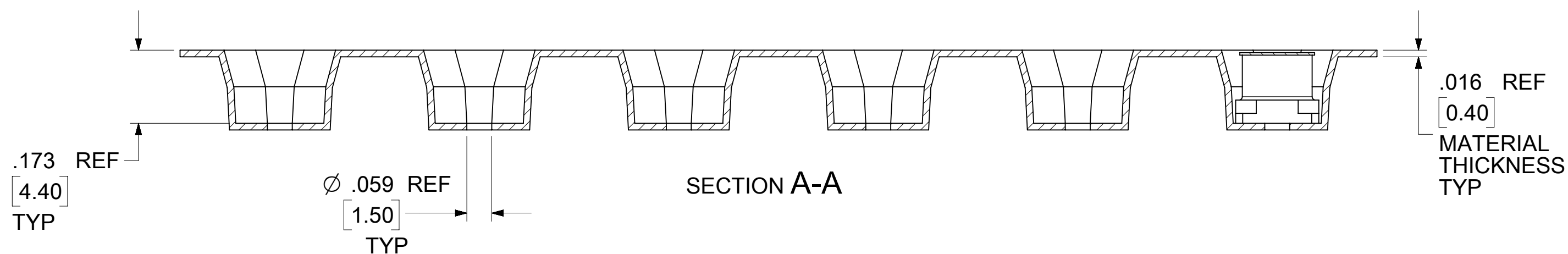
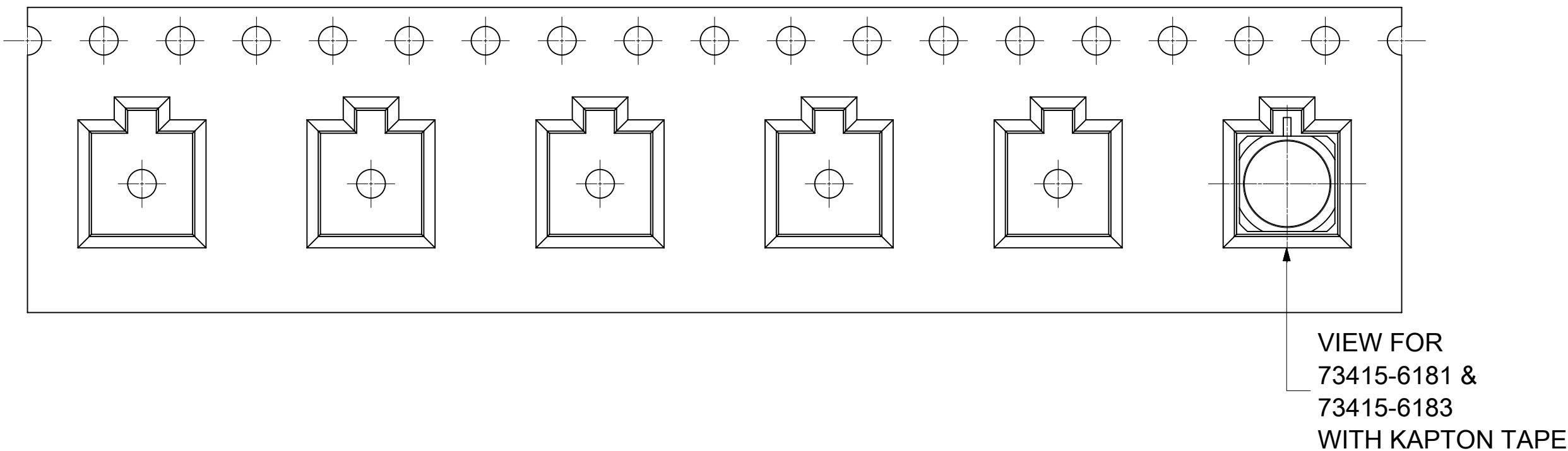
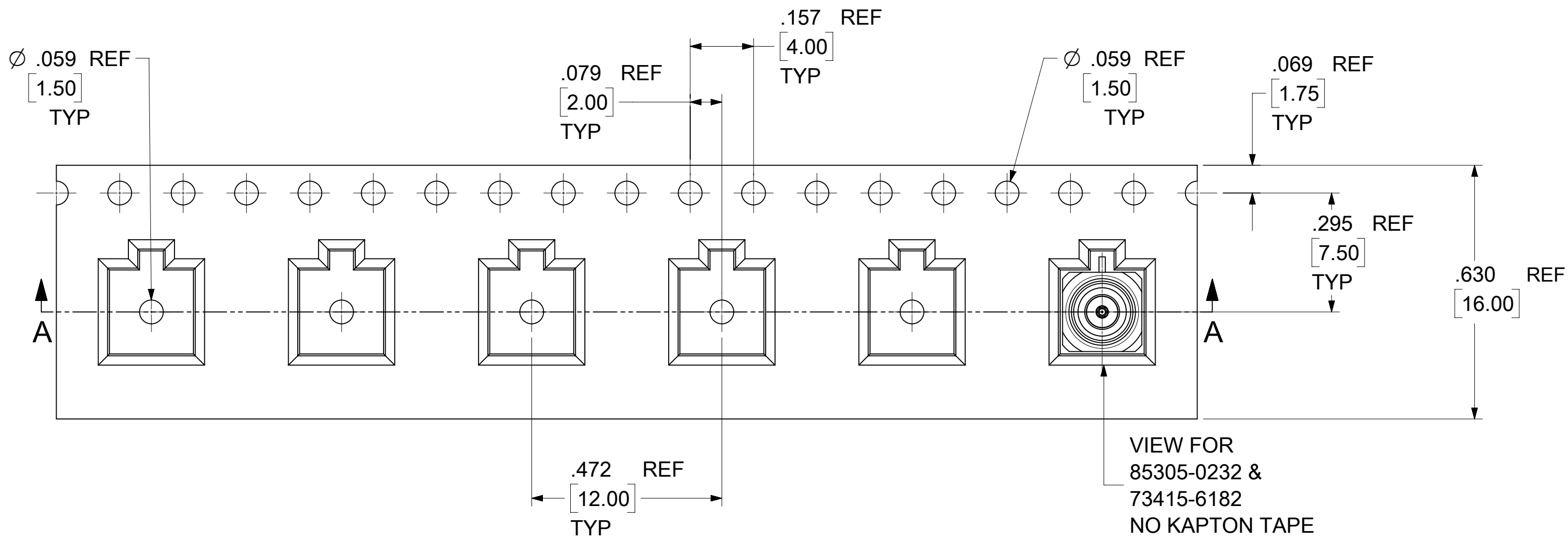
THIS DRAWING CONTAINS INFORMATION THAT IS PROPRIETARY TO MOLEX ELECTRONIC TECHNOLOGIES, LLC AND SHOULD NOT BE USED WITHOUT WRITTEN PERMISSION

DIMENSION UNITS INCH/MM	SCALE NTS	CURRENT REV DESC: SHOW BOX SIZE AND QTY IN THE BOX PER EWR #15646-A	molex			
GENERAL TOLERANCES (UNLESS SPECIFIED)						
4 PLACES	±	±	SMP, PLUG SMT LIMITED DETENT SMP-P/PCB, EWR-11818			
3 PLACES	±	± 0.005				
2 PLACES	±	0.13 ± 0.01	PRODUCT CUSTOMER DRAWING			
1 PLACE	±	0.25 ±				
0 PLACES	±	±	DOCUMENT NUMBER SD-85305-0232			
ANGULAR TOL	±	2.0 °				
DRAFT WHERE APPLICABLE MUST REMAIN WITHIN DIMENSIONS	THIRD ANGLE PROJECTION	DRAWING C-SIZE	SERIES 85305	MATERIAL NUMBER SEE TABLE	CUSTOMER	SHEET NUMBER 2 OF 5

EC NO: 737089
DRWN: RYEH
CHK'D: YCHENG
APPR: YCHENG
2023/01/19
2023/02/06
2023/02/06

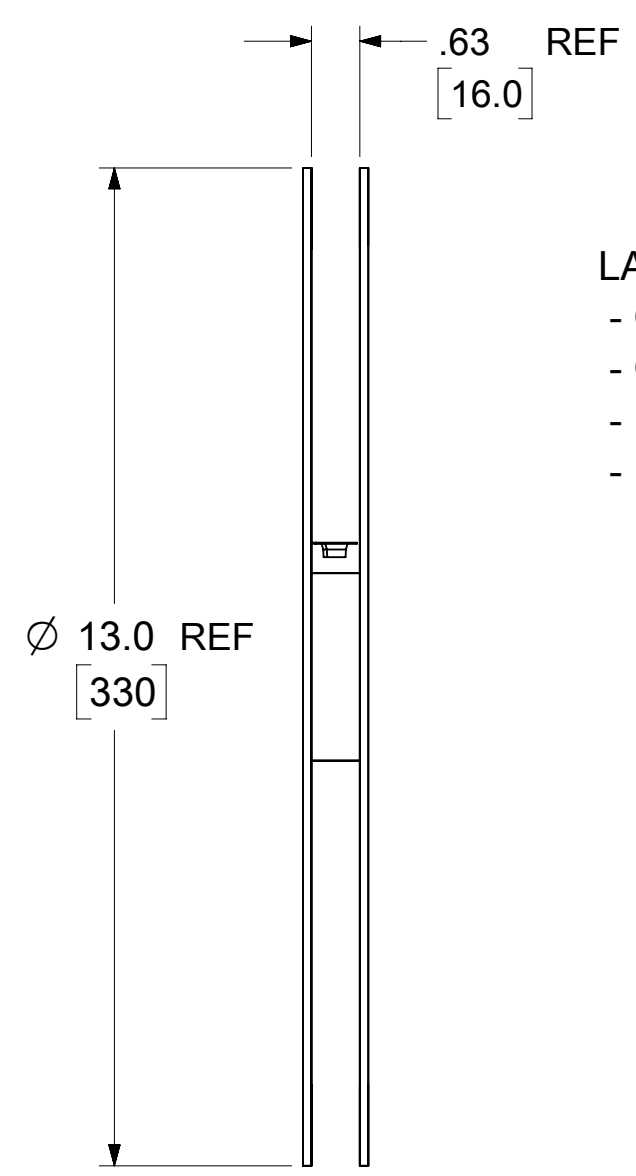
INITIAL REVISION:
DRWN: AROBERTSON
APPR: JWIENER
2005/07/29
2005/08/01

DOC TYPE: PSD
DOC PART: 001
REVISION: B18



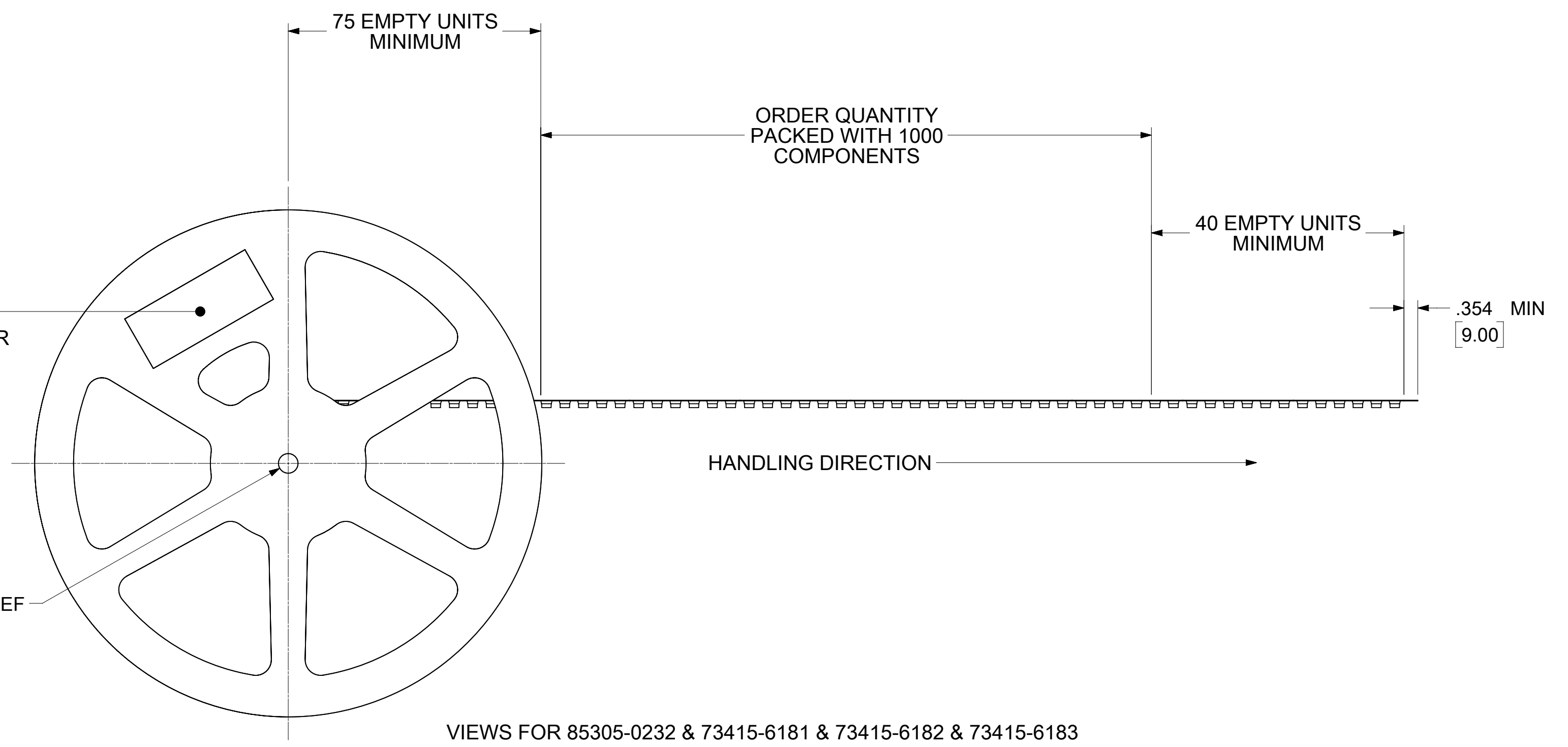
THIS DRAWING CONTAINS INFORMATION THAT IS PROPRIETARY TO MOLEX ELECTRONIC TECHNOLOGIES, LLC AND SHOULD NOT BE USED WITHOUT WRITTEN PERMISSION

DIMENSION UNITS INCH/MM		SCALE NTS		CURRENT REV DESC: SHOW BOX SIZE AND QTY IN THE BOX PER EWR #15646-A		molex				
GENERAL TOLERANCES (UNLESS SPECIFIED)				EC NO: 737089						SMP, PLUG SMT LIMITED DETENT SMP-P/PCB, EWR-11818
4 PLACES	±		±	DRWN: RYEH	2023/01/19	PRODUCT CUSTOMER DRAWING				
3 PLACES	±		± 0.005	CHK'D: YCHENG	2023/02/06	DOCUMENT NUMBER				
2 PLACES	±	0.13	± 0.01	APPR: YCHENG	2023/02/06	DOC TYPE DOC PART REVISION				
1 PLACE	±	0.25	±	INITIAL REVISION:		SD-85305-0232				
0 PLACES	±		±	DRWN: AROBERTSON	2005/07/29	PSD 001 B18				
ANGULAR TOL ± 2.0°				APPR: JWIENER	2005/08/01	SHEET NUMBER				
DRAFT WHERE APPLICABLE MUST REMAIN WITHIN DIMENSIONS				THIRD ANGLE PROJECTION	DRAWING	SERIES	MATERIAL NUMBER	CUSTOMER	SEE TABLE	
					C-SIZE	85305			3 OF 5	

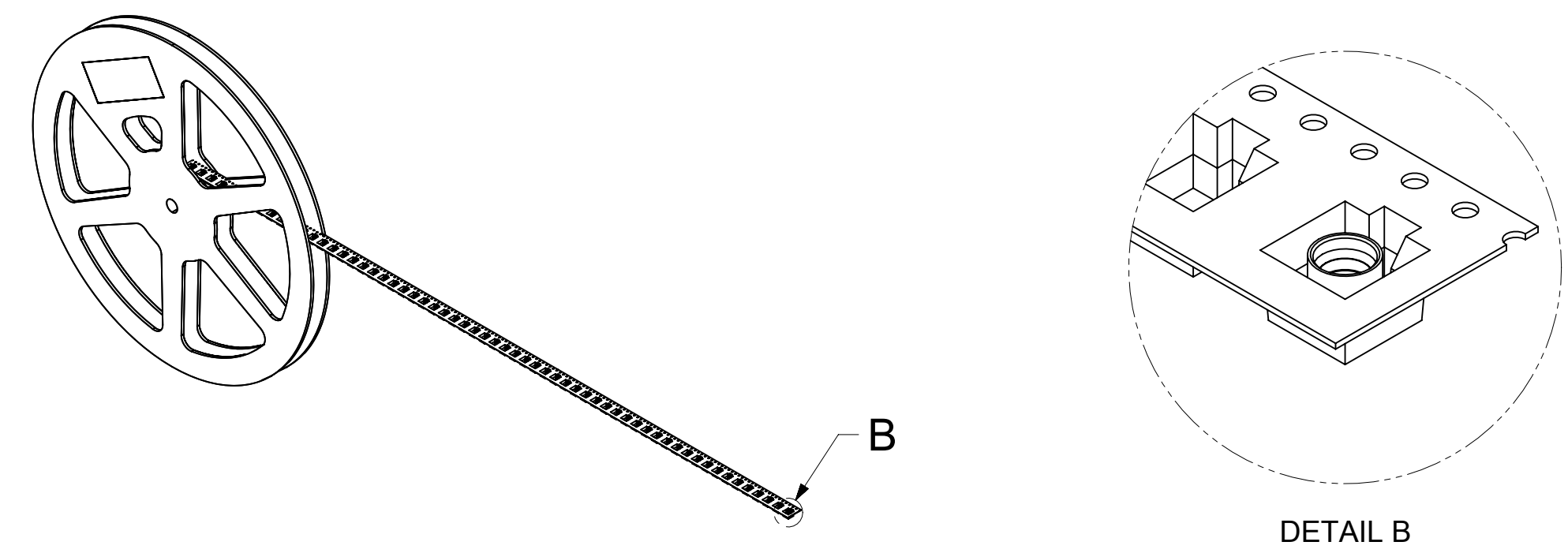


LABEL:
 - ORDER NO.
 - QUANTITY
 - PART NUMBER
 - LOT NUMBER

Ø .502 REF
 [12.75]

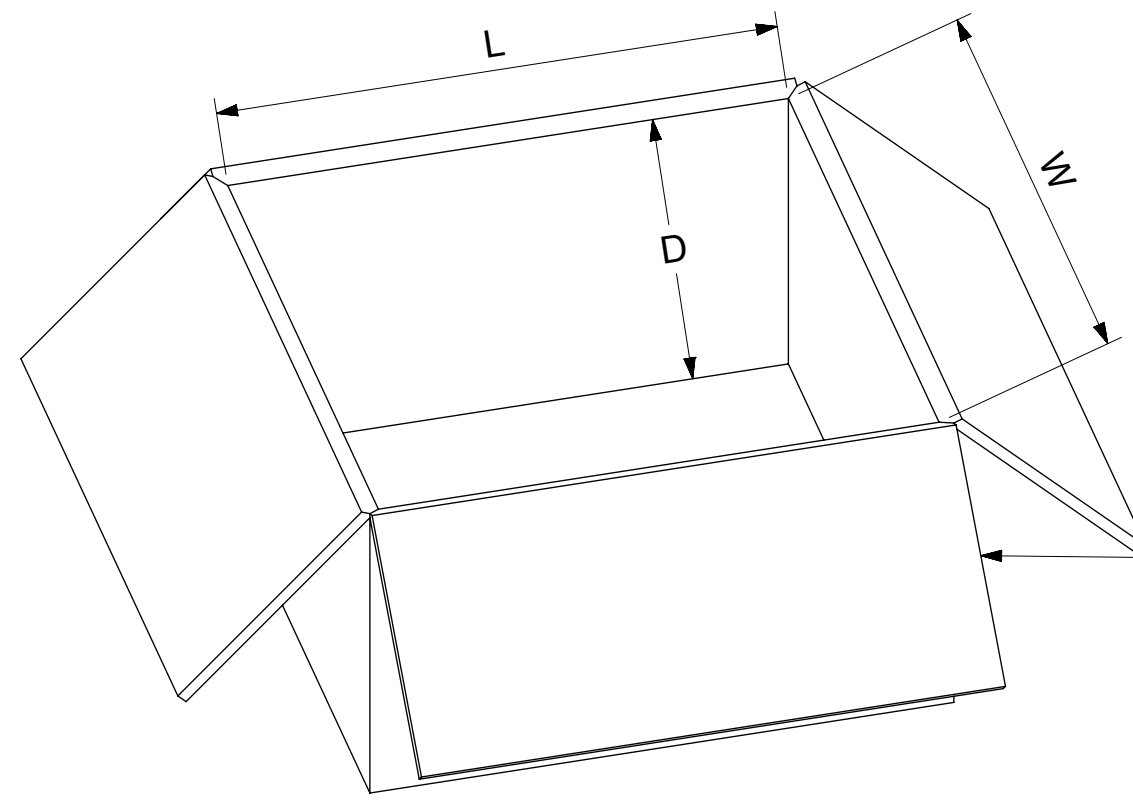


VIEWS FOR 85305-0232 & 73415-6181 & 73415-6182 & 73415-6183



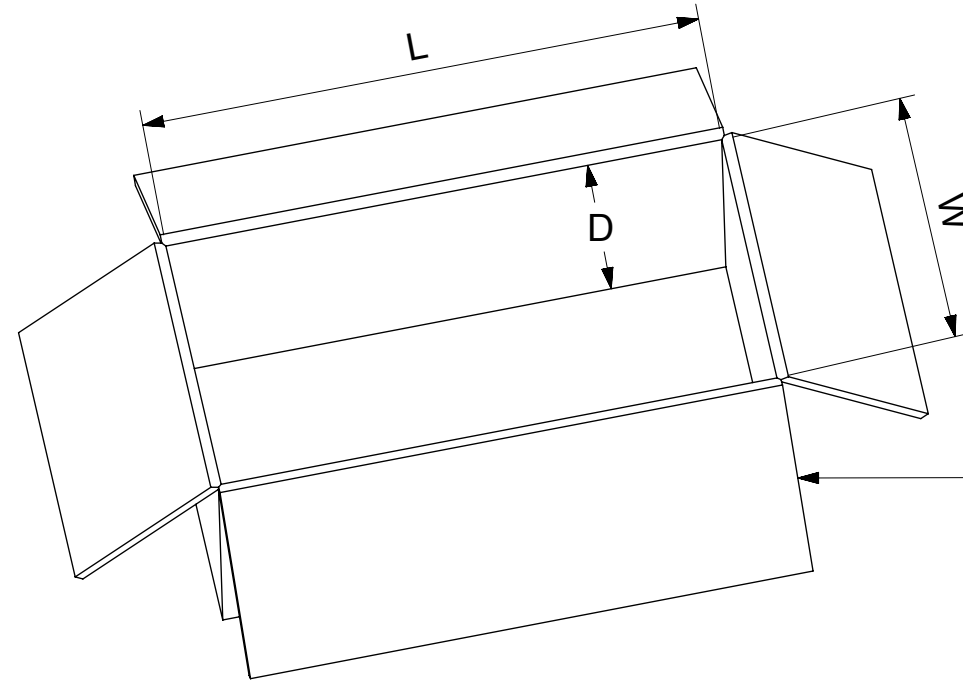
THIS DRAWING CONTAINS INFORMATION THAT IS PROPRIETARY TO MOLEX ELECTRONIC TECHNOLOGIES, LLC AND SHOULD NOT BE USED WITHOUT WRITTEN PERMISSION									
DIMENSION UNITS INCH/MM		SCALE NTS		CURRENT REV DESC: SHOW BOX SIZE AND QTY IN THE BOX PER EWR #15646-A			molex		
GENERAL TOLERANCES (UNLESS SPECIFIED)				EC NO: 737089					
4 PLACES		±	±	DRWN: RYEH			2023/01/19		
3 PLACES		±	± 0.005	CHK'D: YCHENG			2023/02/06		
2 PLACES		± 0.13	± 0.01	APPR: YCHENG			2023/02/06		
1 PLACE		± 0.25	±	INITIAL REVISION:			PRODUCT CUSTOMER DRAWING		
0 PLACES		±	±	DRWN: AROBERTSON			DOCUMENT NUMBER		
ANGULAR TOL		± 2.0 °		APPR: JWIENER			SD-85305-0232		
DRAFT WHERE APPLICABLE MUST REMAIN WITHIN DIMENSIONS		THIRD ANGLE PROJECTION		DRAWING		SERIES		MATERIAL NUMBER	
				C-SIZE		85305		SEE TABLE	
								CUSTOMER	
								SHEET NUMBER	
								4 OF 5	

DOCUMENT STATUS	P1	RELEASE DATE	2023/02/06	04:17:23
-----------------	----	--------------	------------	----------



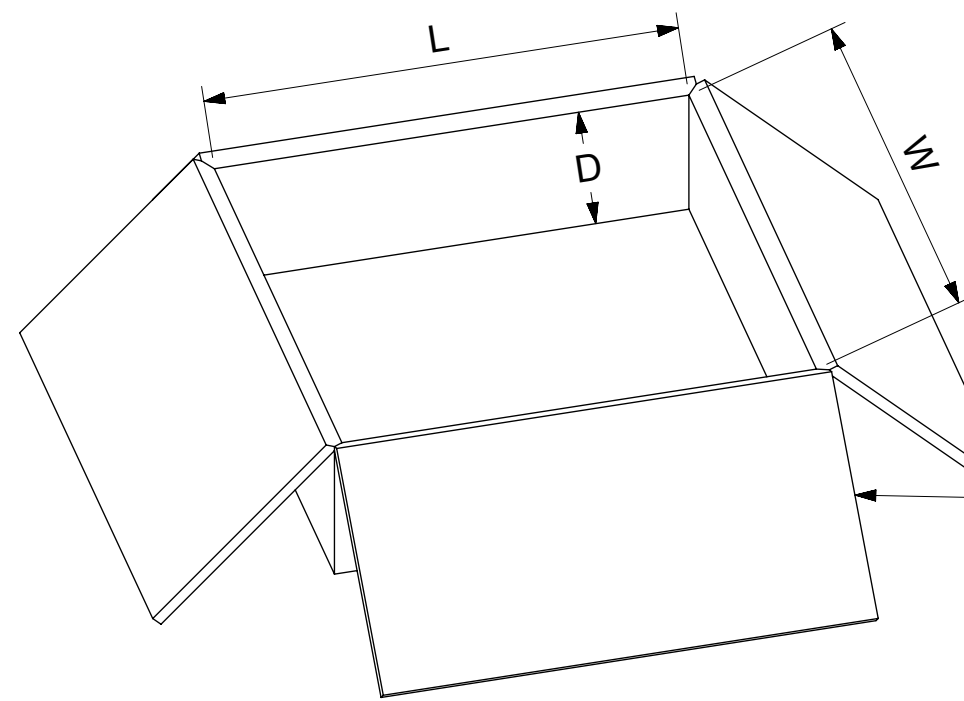
1K PCS PER REEL
 7 REELS PER CARTON
 7 X 1000 = 7K PCS
 MAXIMUM OUTSIDE SIZE (mm):
 L=393.94
 W=390.92
 D=211.89

VIEW FOR 85305-0232 & 73415-6181



1 PC PER BAG
 500 PCS PER CARTON
 MAXIMUM OUTSIDE SIZE (mm):
 L=571.94
 W=183.94
 D=191.87

VIEW FOR 73415-6180



1K PCS PER REEL
 1 REEL PER CARTON
 1 X 1000 = 1K PCS
 MAXIMUM OUTSIDE SIZE (mm):
 L=340
 W=340
 D=100

VIEW FOR 73415-6182 & 73415-6183

73415-6183	85305-0232, TAPE AND REEL WITH KAPTON TAPE	1K PER REEL	1K PER CARTON
73415-6182	85305-0232, TAPE AND REEL	1K PER REEL	1K PER CARTON
73415-6181	85305-0232, TAPE AND REEL WITH KAPTON TAPE	1K PER REEL	7K PER CARTON
73415-6180	85305-0232, ONE PER BAG	ONE PER BAG	500 PER CARTON
85305-0232	TAPE AND REEL	1K PER REEL	7K PER CARTON
PART NO.	PACKAGING	QUANTITY	

THIS DRAWING CONTAINS INFORMATION THAT IS PROPRIETARY TO MOLEX ELECTRONIC TECHNOLOGIES, LLC AND SHOULD NOT BE USED WITHOUT WRITTEN PERMISSION											
DIMENSION UNITS INCH/MM		SCALE NTS		CURRENT REV DESC: SHOW BOX SIZE AND QTY IN THE BOX PER EWR #15646-A			molex				
GENERAL TOLERANCES (UNLESS SPECIFIED)				EC NO: 737089						SMP, PLUG SMT LIMITED DETENT SMP-P/PCB, EWR-11818	
4 PLACES	±		±	DRWN: RYEH			2023/01/19				
3 PLACES	±		± 0.005	CHK'D: YCHENG			2023/02/06				
2 PLACES	±	0.13	± 0.01	APPR: YCHENG			2023/02/06				
1 PLACE	±	0.25	±	INITIAL REVISION:			DOCUMENT NUMBER				
0 PLACES	±		±	DRWN: AROBERTSON			SD-85305-0232				
ANGULAR TOL		± 2.0 °		APPR: JWIENER			DOC TYPE		DOC PART	REVISION	
DRAFT WHERE APPLICABLE MUST REMAIN WITHIN DIMENSIONS		THIRD ANGLE PROJECTION		DRAWING		SERIES		MATERIAL NUMBER		CUSTOMER	SHEET NUMBER
				C-SIZE		85305		SEE TABLE			5 OF 5