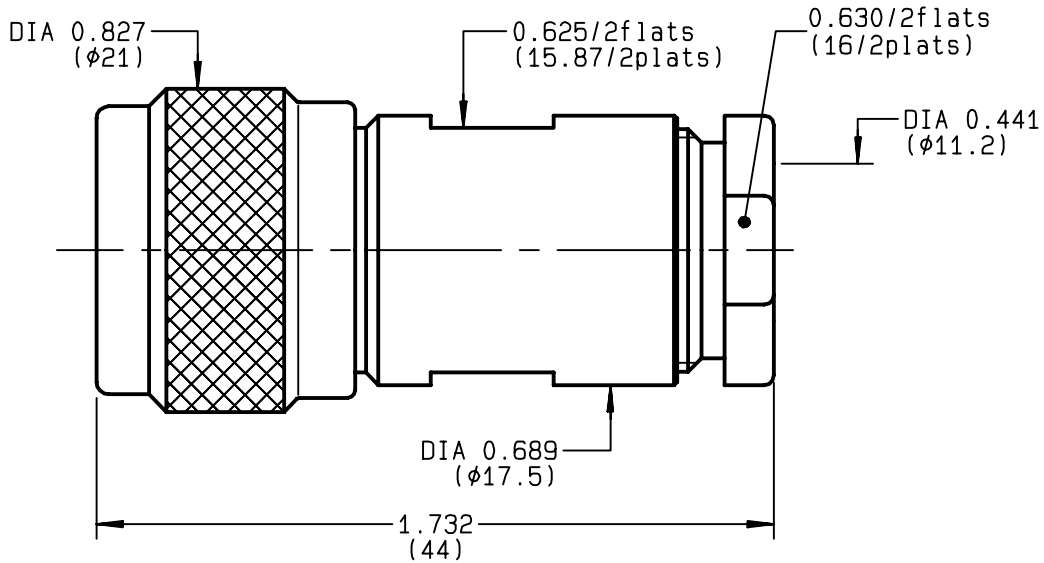


**STRAIGHT PLUG CLAMP TYPE
CABLE 10+11/50+75**

R161.018.000
SERIES N



NOMINAL IMPEDANCE	50 Ω	CABLES : KX 4
FREQUENCY RANGE	0-11 GHz	KX 8
TEMPERATURE RATING	-55/+155 °C	RG 11
V.S.W.R	1.30 + x F(GHz)Maxi	RG 144
RF INSERTION LOSS	0.048 √F(GHz) dB Maxi	RG 165
VOLTAGE RATING	1400 Veff Maxi	RG 213
DIELECTRIC WITHSTANDING VOLTAGE	2500 Veff Mini	RG 214
INSULATION RESISTANCE	5000 MΩMini	RG 216
HERMETIC SEAL	NA Atm.cm ³ /s	RG 225
LEAKAGE (pressurized only)	NA	RG 393
MECHANICAL DURABILITY	500 Cycles	OTHERS CHARACTERISTICS
WEIGHT	48.6 gr	CABLE RETENTION 200 N Mini
SPECIFICATION		CENTER CONTACT RETENTION
		Axial force - mating end NA N Mini
		Axial force - opposite end NA N Mini
		Torque NA cm.N Mini
		RECOMMENDED TORQUES
		Mating 130 cm.N
		Panel nut NA cm.N
		Clamp nut 500 cm.N

CONNECTOR PARTS	MATERIALS	FINISH	(all values are given in micrometers)
BODY	BRASS	BBR 2	
OUTER CONTACT	BRASS	BBR 2	
CENTER CONTACT	BRASS	GOLD 0.5 OVER NICKEL 2	
INSULATOR	PTFE	-	
GASKET	SILICONE RUBBER	-	
OTHERS PIECES	BRASS	BBR 2	

ISSUE	CREATION DATE	FILE PART-NUMBER
9806D02	23/02/1995	94-0007-059



Connect to the future

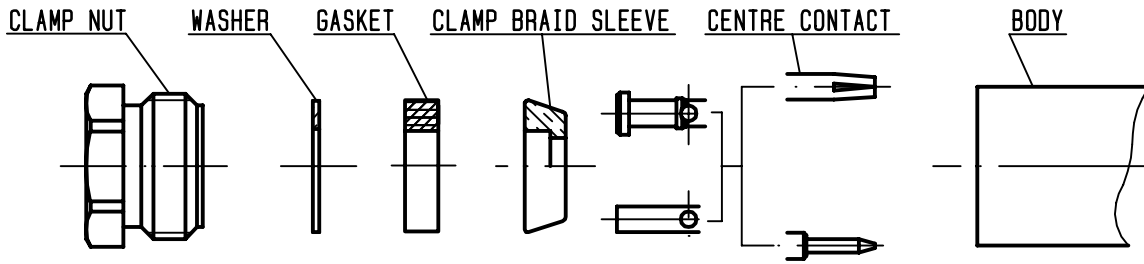
Y. PERRIN

The information given here is subject to change without notice.
Design changes may be in order to improve the product .



R161.018.000

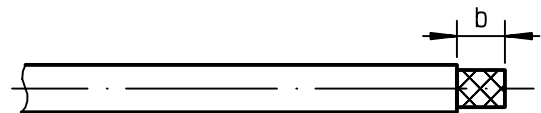
ISSUE 9806D02 SERIES N



①

Strip the cable .

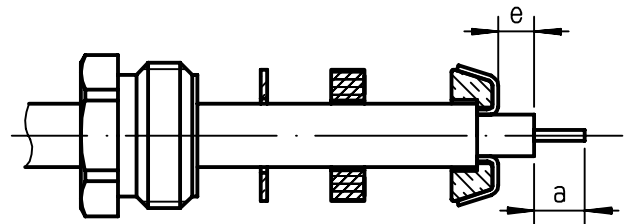
-
-
-
-



Stripping	a	b	c	d	e
inch	0.177	0.394	0	0	0.059
mm	4.5	10			1.5

②

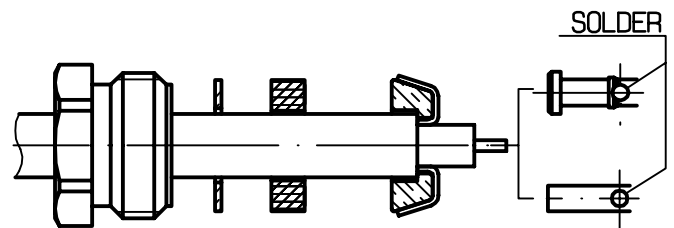
Slide the clamp nut , the washer and the gasket onto the cable .
Slide clamp braid sleeve over braid .
Fold back braid and trim off surplus braid .
Trim back dielectric as shown .



③

Solder the cable inner conductor into centre contact .

-
-
-
-



④

Screw sub-assembly into the connector body .
(recommended coupling torque 44.25 in.lb)

-
-

