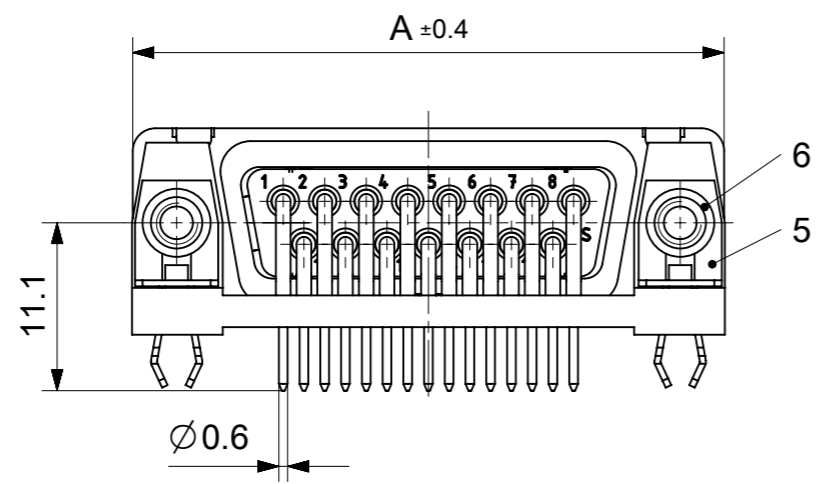
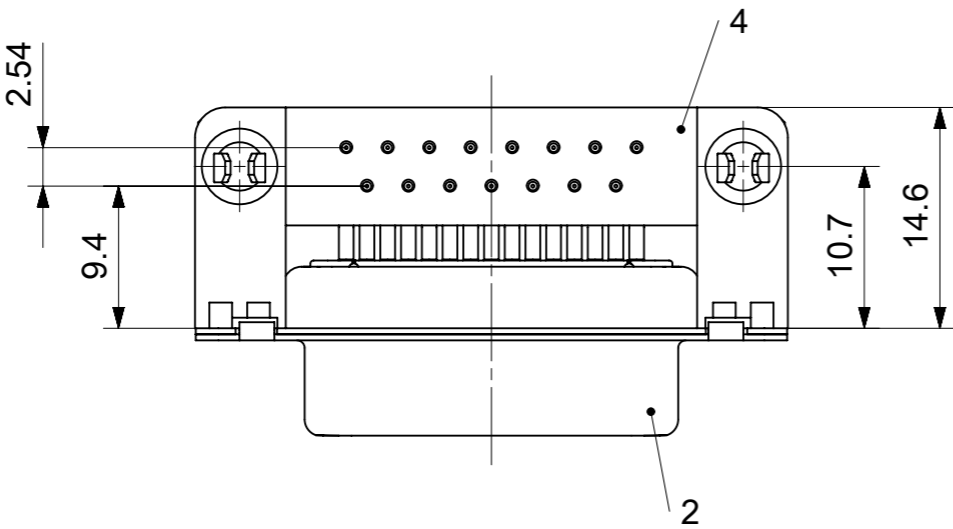
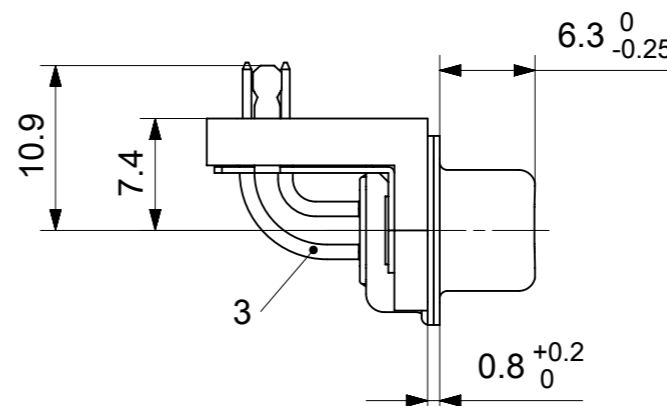
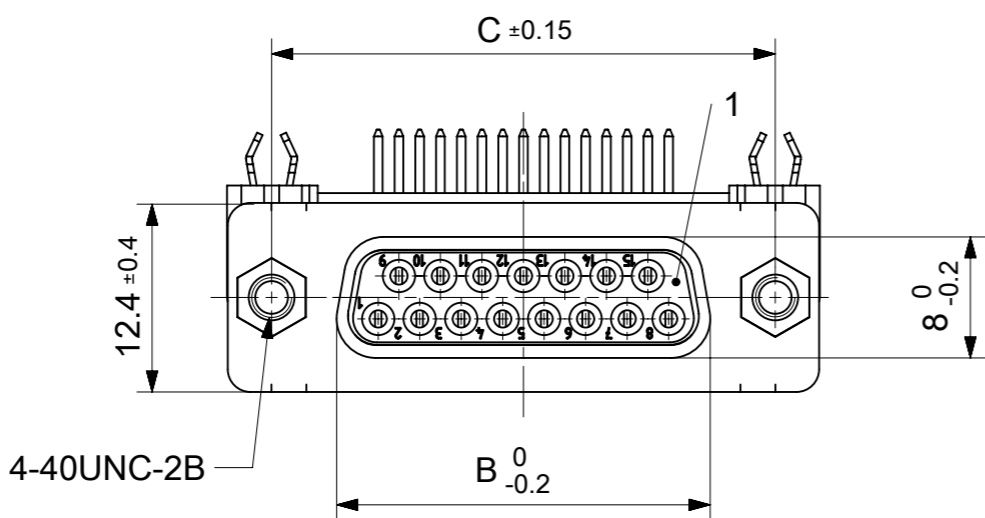


RoHS compliant  
by exemption



FCT Part number:

Fxx\*1)S5y\*2)-0326

e.g. F15S5G1-0326

\*1) xx No. of contacts 09, 15, 25 or 37

\*2) y for performance classes 1, 2 or 3

(contact cycle for G1/G2/G3 = 500/200/50)

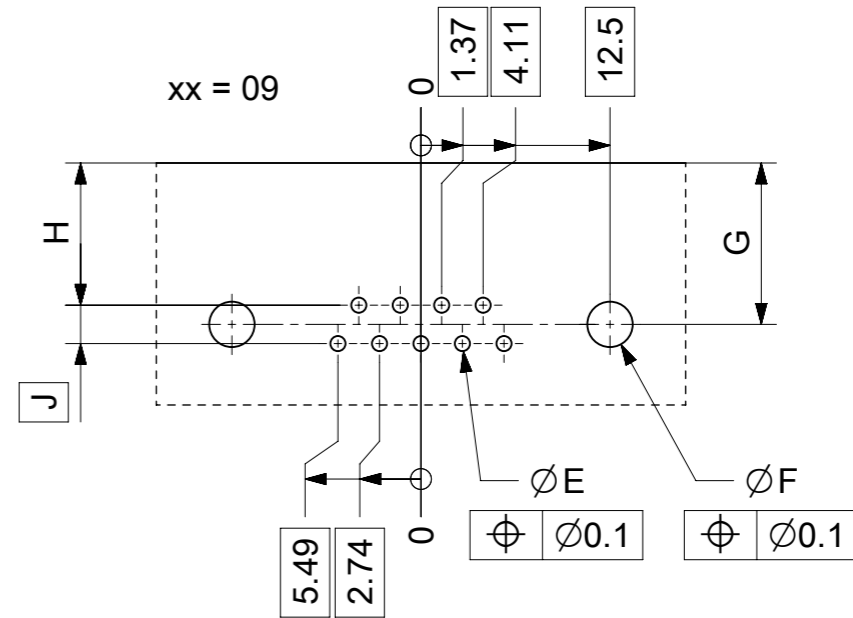
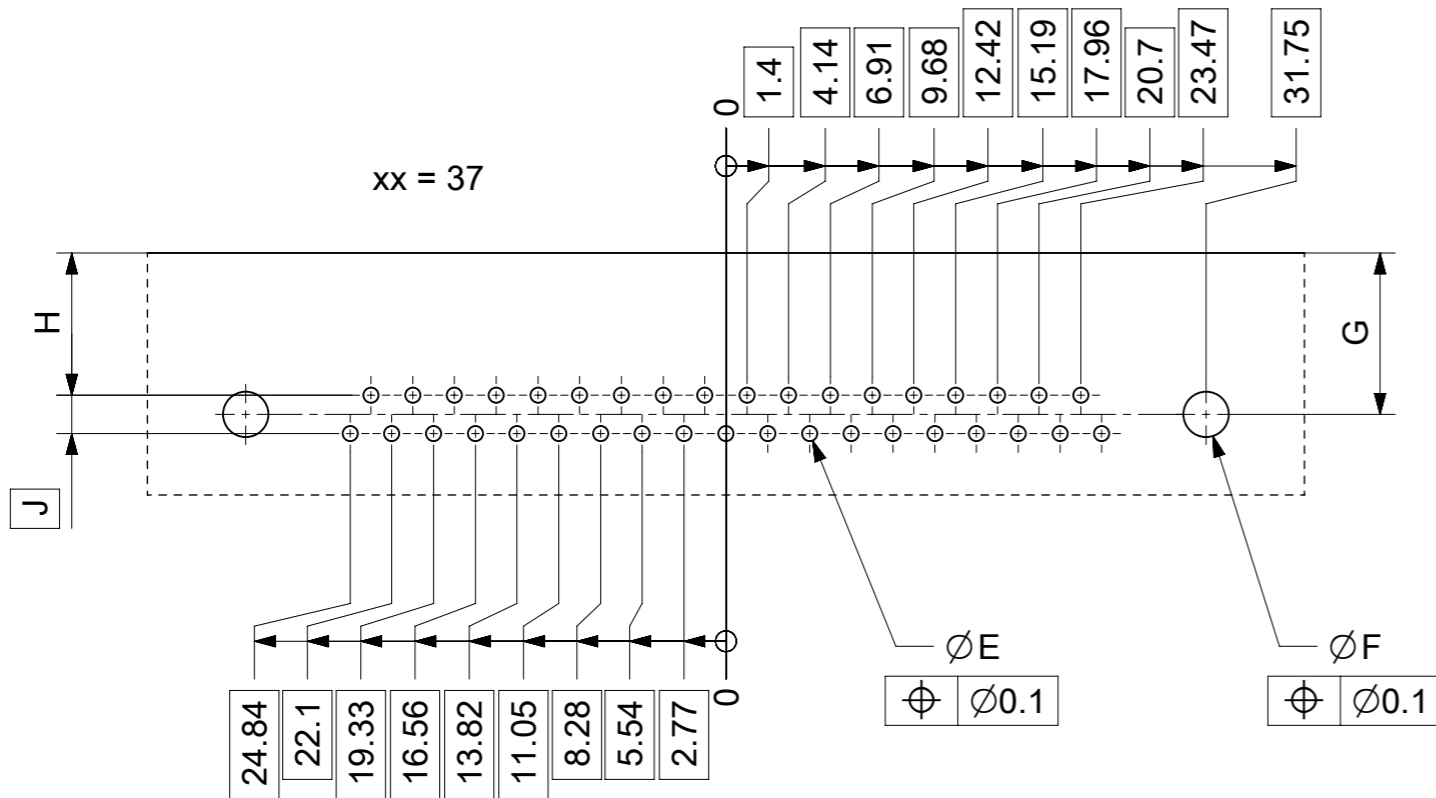
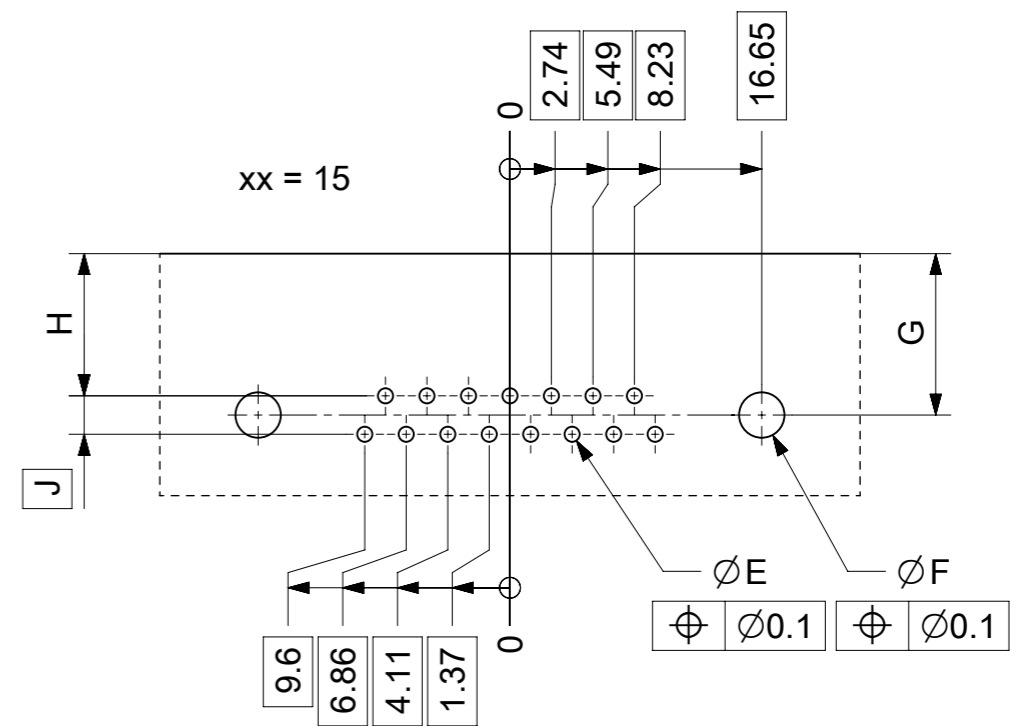
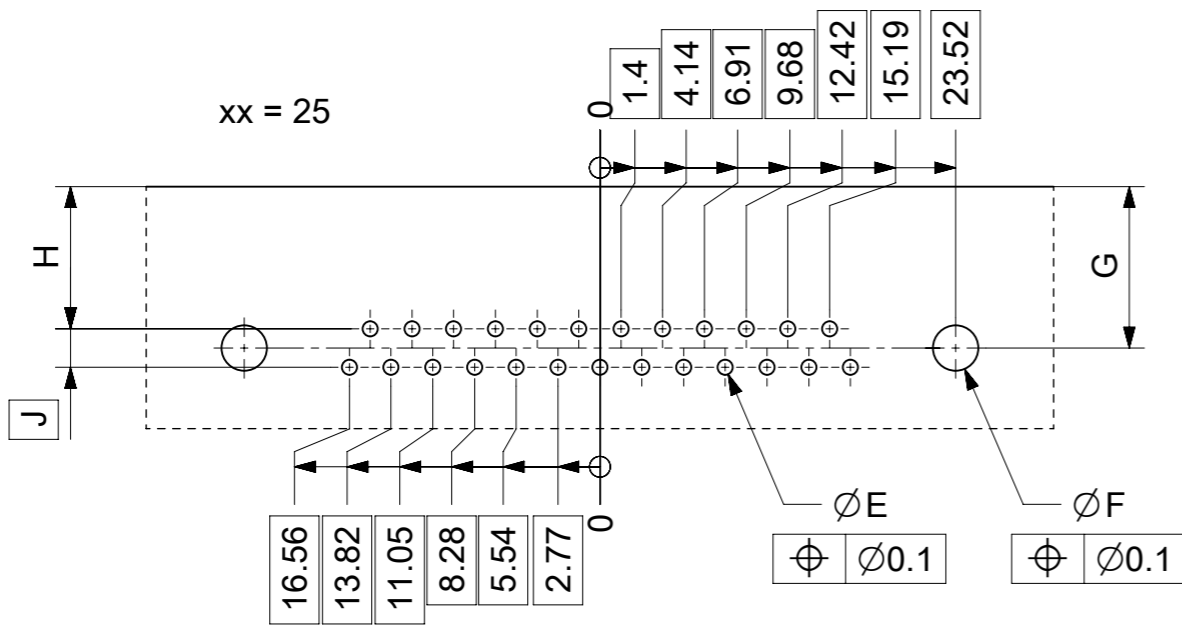
Material Number	xx*1)	y*2)	A [mm]	B [mm]	C [mm]	*E [mm]	*F [mm]	*G [mm]	*H [mm]	*J [mm]
1731090813	09	G1	30.8	16.4	25	Ø1	Ø3	10.7	9.4	2.54
1731091216		G2								
1731090820	15	G1	39.1	24.7	33.3					
1731091369		G2								
1731091482	25	G1	53	38.5	47.04					
1731090479		G2								
1731091556	37	G1	69.3	54.9	63.5					
1731090478		G2								

\*PCB hole patterns ØE, ØF, G, H, J see document 2195600024

No.	Pc.	Part	Type Description/Material	Surface plating/Color/Class
6	2	Clinch nut	4-40 / Brass	tin plated
5	2	Snap-in bracket	PCB 1.6mm / Brass	tin plated
4	1	Plastic bracket	FKW1/4 GS / PC	black
3	xx	Signal contact	S5 / Brass	G1 / G2
2	1	Shell	Steel	tin plated
1	1	Insulator	PBT (-55°C to +125°C) acc. UL94V-0	white

MEASUREMENTS WITHOUT TOLERANCE ACC TO ISO 2768-m REPLACEMENT FOR DOCUMENT NUMBER: FxxS5Gy-0326

FUNCTIONAL SYMBOLS	THIS DRAWING CONTAINS INFORMATION THAT IS PROPRIETARY TO MOLEX ELECTRONIC TECHNOLOGIES, LLC AND SHOULD NOT BE USED WITHOUT WRITTEN PERMISSION	CURRENT REV DESC:		<b>molex</b>				
	<table border="1"> <tr> <th>DIMENSION UNITS</th> <th>SCALE</th> </tr> <tr> <td>mm</td> <td>2:1</td> </tr> </table>	DIMENSION UNITS	SCALE		mm	2:1	EC NO: 714756	
	DIMENSION UNITS	SCALE						
	mm	2:1						
GENERAL TOLERANCES (UNLESS SPECIFIED)		DRWN: SKANDB 2022/02/21						
ANGULAR TOL ± °		CHK'D: MTEUBEL 2022/07/22						
DIVISIONAL SYMBOLS	4 PLACES ±	APPR: MTEUBEL 2022/07/22	PRODUCT CUSTOMER DRAWING					
	3 PLACES ±	INITIAL REVISION:	DOCUMENT NUMBER	DOC TYPE				
	2 PLACES ±	DRWN: SKANDB 2022/02/21	1731090813	PSD				
	1 PLACE ±	APPR: MTEUBEL 2022/07/22	000	A				
0 PLACES ±		SHEET NUMBER		1 OF 1				
DRAFT WHERE APPLICABLE MUST REMAIN WITHIN DIMENSIONS		FIRST ANGLE PROJECTION	DRAWING	SERIES				
			A3-SIZE	173109				
		MATERIAL NUMBER	CUSTOMER					
		SEE TABLE	GENERAL MARKET					



øE, øF, G, H, J see data sheet incl. connector  
øF, G connectors with accessories only

MEASUREMENTS WITHOUT TOLERANCE ACC TO ISO 2768-m				REPLACEMENT FOR DOCUMENT NUMBER: AM0024			
THIS DRAWING CONTAINS INFORMATION THAT IS PROPRIETARY TO MOLEX ELECTRONIC TECHNOLOGIES, LLC AND SHOULD NOT BE USED WITHOUT WRITTEN PERMISSION							
FUNCTIONAL SYMBOLS	DIMENSION UNITS		SCALE	CURRENT REV DESC:			
$\nabla_A = 0$	mm		2:1	EC NO: 713905 DRWN: SKANDB 2022/05/16 CHK'D: MTEUBEL 2022/07/12 APPR: MTEUBEL 2022/07/12			
$\nabla_F = 0$	GENERAL TOLERANCES (UNLESS SPECIFIED)						
$\nabla_P = 0$	ANGULAR TOL ± °						
DIVISIONAL SYMBOLS	4 PLACES		±	INITIAL REVISION: DRWN: SKANDB 2022/05/16 APPR: MTEUBEL 2022/07/12			
	3 PLACES		±				
	2 PLACES		±				
	1 PLACE		±				
	0 PLACES		±	DOCUMENT NUMBER: 2195600024 DOC TYPE: PSD DOC PART: 000 REVISION: A			
DRAFT WHERE APPLICABLE MUST REMAIN WITHIN DIMENSIONS		FIRST ANGLE PROJECTION	DRAWING	SERIES	MATERIAL NUMBER	CUSTOMER	SHEET NUMBER
			A3-SIZE	219560	219560	GENERAL MARKET	1 OF 1