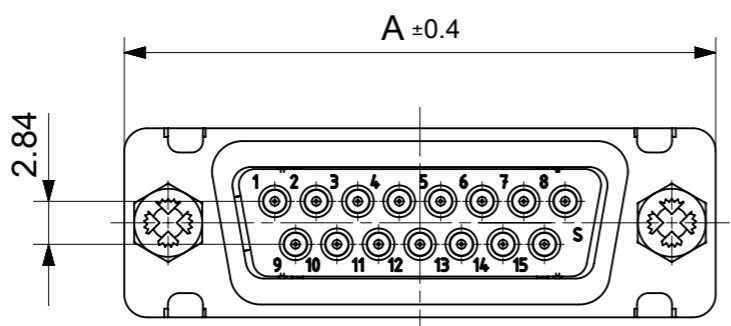
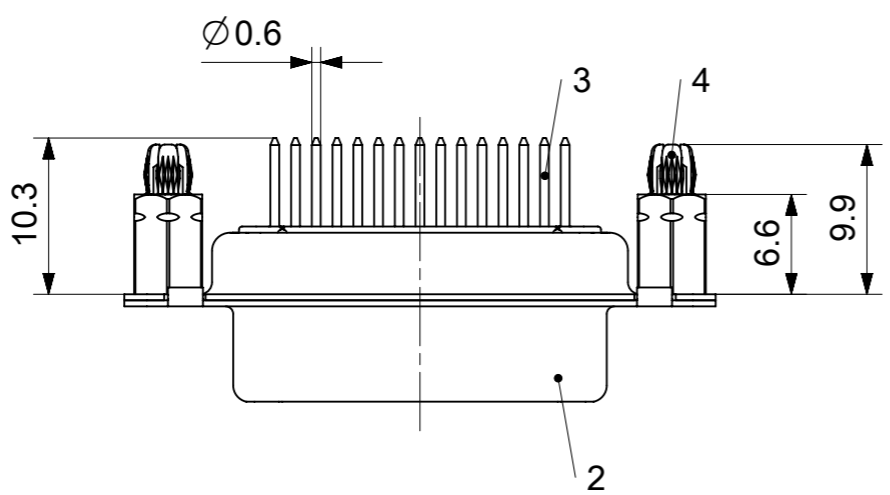
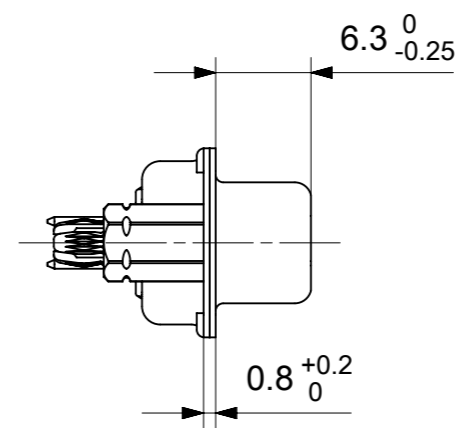
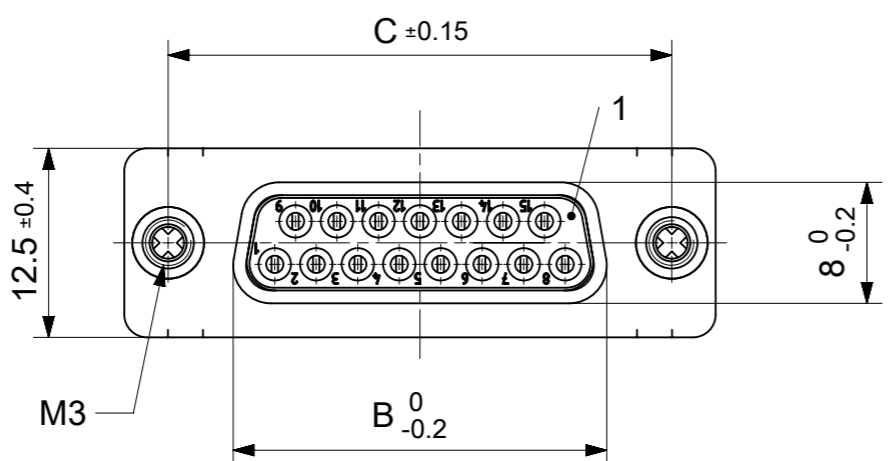


RoHS compliant
by exemption



FCT Part number:

Fxx*1)S1G1-0984

e.g. F15S1G1-0984

*1) xx No. of contacts 09, 15, 25 or 37

*2) y for performance classes 1, 2 or 3

(contact cycle for G1/G2/G3 = 500/200/50)

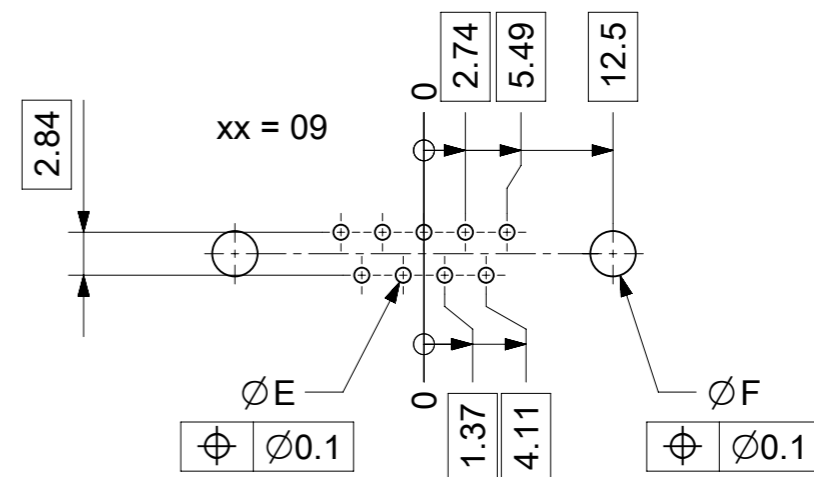
Material Number	xx*1)	y*2)	A[mm]	B[mm]	C[mm]	*E[mm]	*F[mm]
1731091146	09	G1	30.8	16.4	25	Ø1	Ø3
1731091318	15	G1	39.1	24.7	33.3		
1731091337		G2					
1731091451	25	G1	53	38.5	47.04		
-	37	-	69.3	54.9	63.5		

*PCB hole patterns ØE, ØF see document 2195600023

No.	Pc.	Part	Type Description/Material	Surface plating/Color/Class
4	2	Snap-in bolt	PCB 1.6mm / Brass	tin plated
3	xx	Signal contact	S1 / Brass	G1 / G2
2	1	Shell	Steel	tin plated
1	1	Insulator	PBT (-55°C to +125°C) acc. UL94V-0	white

MEASUREMENTS WITHOUT TOLERANCE ACC TO ISO 2768-m REPLACEMENT FOR DOCUMENT NUMBER: FxxS1Gy-0984

FUNCTIONAL SYMBOLS		THIS DRAWING CONTAINS INFORMATION THAT IS PROPRIETARY TO MOLEX ELECTRONIC TECHNOLOGIES, LLC AND SHOULD NOT BE USED WITHOUT WRITTEN PERMISSION		CURRENT REV DESC:		molex				
FA = 0	mm	SCALE	2:1							
GENERAL TOLERANCES (UNLESS SPECIFIED)		ANGULAR TOL ± °		EC NO: 707726		FCT D-SUB MINIATURE CONNECTOR				
FE = 0	4 PLACES ±			DRWN: SKANDB	2021/12/03					
DIVISIONAL SYMBOLS		INITIAL REVISION:		CHK'D: MTEUBEL		PRODUCT CUSTOMER DRAWING				
FE = 0	3 PLACES ±			APPR: MTEUBEL	2022/05/25					
DRAFT WHERE APPLICABLE MUST REMAIN WITHIN DIMENSIONS		FIRST ANGLE PROJECTION		APPR: MTEUBEL		DOCUMENT NUMBER		DOC TYPE	DOC PART	REVISION
FIRST ANGLE PROJECTION		DRAWING		INITIAL REVISION:		1731091146		PSD	000	A
FIRST ANGLE PROJECTION		SERIES		DRWN: SKANDB		2021/12/03		SHEET NUMBER		
FIRST ANGLE PROJECTION		MATERIAL NUMBER		APPR: MTEUBEL		2022/05/25		1 OF 1		
FIRST ANGLE PROJECTION		CUSTOMER		DRAWING		SEE TABLE		GENERAL MARKET		
FIRST ANGLE PROJECTION		CUSTOMER		SERIES		A3-SIZE		173109		



ØE, ØF see data sheet incl. connector
 ØF connectors with accessories only

MEASUREMENTS WITHOUT TOLERANCE ACC TO ISO 2768-m			REPLACEMENT FOR DOCUMENT NUMBER: AM0023					
THIS DRAWING CONTAINS INFORMATION THAT IS PROPRIETARY TO MOLEX ELECTRONIC TECHNOLOGIES, LLC AND SHOULD NOT BE USED WITHOUT WRITTEN PERMISSION								
FUNCTIONAL SYMBOLS	DIMENSION UNITS	SCALE	CURRENT REV DESC:					
$\nabla_A = 0$	mm	2:1	EC NO: 713905 DRWN: SKANDB 2022/05/16 CHK'D: MTEUBEL 2022/07/12 APPR: MTEUBEL 2022/07/12 INITIAL REVISION: DRWN: SKANDB 2022/05/16 APPR: MTEUBEL 2022/07/12					
$\nabla_E = 0$	GENERAL TOLERANCES (UNLESS SPECIFIED)					molex FCT PCB HOLE PATTERN STRAIGHT CONTACT NO. OF CONTACTS 09-37		
$\nabla_P = 0$	ANGULAR TOL ± °							
DIVISIONAL SYMBOLS	4 PLACES ±							
	3 PLACES ±		PRODUCT CUSTOMER DRAWING DOCUMENT NUMBER: 2195600023 DOC TYPE: PSD DOC PART: 000 REVISION: A					
	2 PLACES ±							
	1 PLACE ±							
	0 PLACES ±		MATERIAL NUMBER: 219560 CUSTOMER: GENERAL MARKET SHEET NUMBER: 1 OF 1					
DRAFT WHERE APPLICABLE MUST REMAIN WITHIN DIMENSIONS		FIRST ANGLE PROJECTION	DRAWING: A3-SIZE	SERIES: 219560				