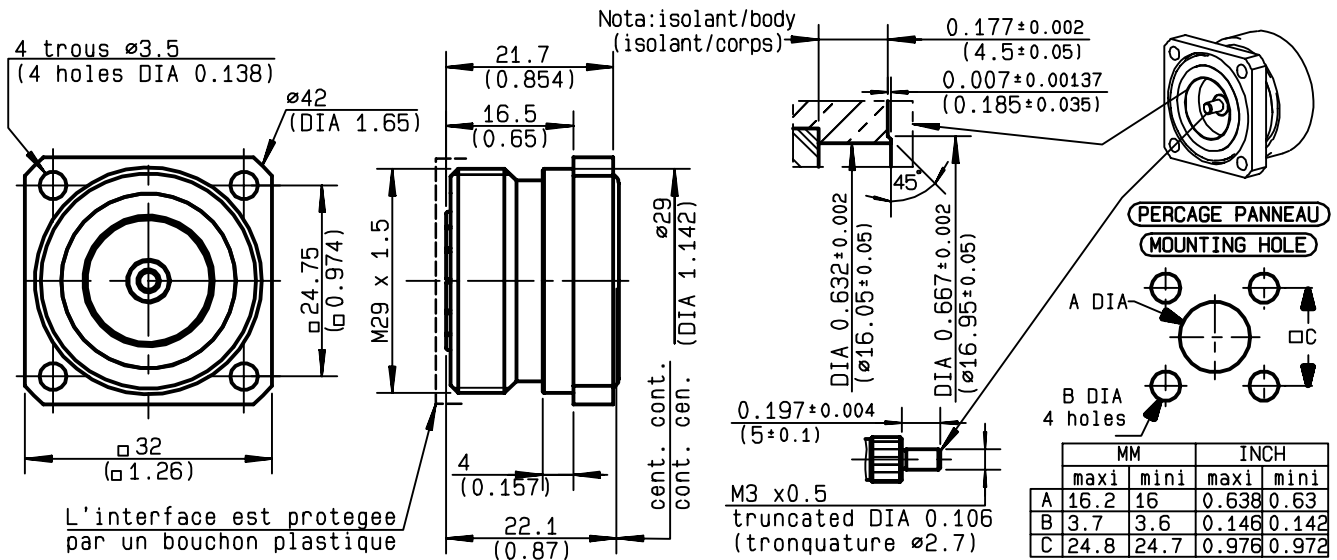


**SQUARE FLANGE JACK RECEPTACLE
PANEL SEAL - WITH THEARD CONTACT**

R185.405.200
SERIES 7-16



NOMINAL IMPEDANCE	50 Ω
FREQUENCY RANGE	0-7.5 GHz
TEMPERATURE RATING	-55/+155 °C
V.S.W.R	1.15 + x F(GHz)Maxi
RF INSERTION LOSS	0.03 \sqrt{F} (GHz) dB Maxi
VOLTAGE RATING	1400 Veff Maxi
DIELECTRIC WITHSTANDING VOLTAGE	4000 Veff Mini
INSULATION RESISTANCE	10000 M Ω Mini
HERMETIC SEAL	NA Atm.cm ³ /s
LEAKAGE (pressurized only)	NA
MECHANICAL DURABILITY	500 Cycles
WEIGHT	76 gr
SPECIFICATION	

CABLES :

OTHERS CHARACTERISTICS

CABLE RETENTION	NA	N Mini
CENTER CONTACT RETENTION		
Axial force - mating end	200	N Mini
Axial force - opposite end	40	N Mini
Torque	2	cm.N Mini
RECOMMENDED TORQUES		
Mating	NA	cm.N
Panel nut	NA	cm.N
Clamp nut	NA	cm.N

CONNECTOR PARTS	MATERIALS	FINISH
BODY	BRASS	SILVER 5 PASSIVATED OVER COPPER 0.5
OUTER CONTACT	BRASS	SILVER 5 PASSIVATED OVER COPPER 0.5
CENTER CONTACT	BERYLLIUM COPPER	SILVER 5 PASSIVATED OVER COPPER 0.5
INSULATOR	PTFE	-
GASKET		-
OTHERS PIECES	SILICONE RUBBER	

(all values are given in micrometers)

ISSUE	CREATION DATE	FILE PART-NUMBER
9944C00	16/05/1994	



GAUTIER

The information given here is subject to change without notice.
Design changes may be in order to improve the product .

Connect to the future