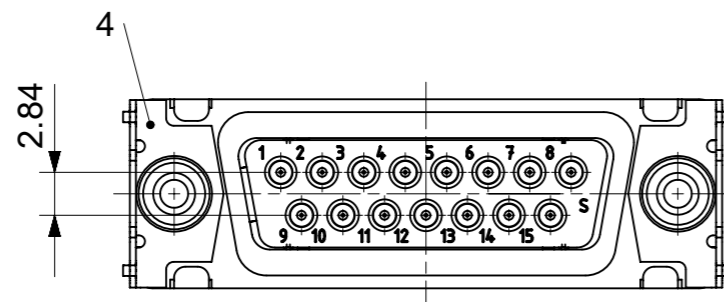
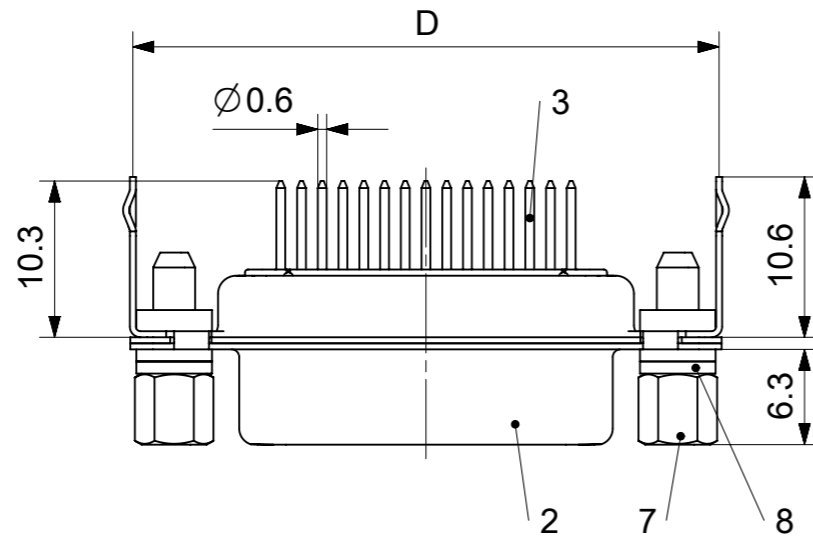


RoHS compliant
by exemption



FCT Part number:

Fxx*1)S1G2-0726

e.g. F15S1G2-0726

*1) xx No. of contacts 09, 15, 25 or 37

*2) y for performance classes 1, 2 or 3

(contact cycle for G1/G2/G3 = 500/200/50)

Material Number	xx*1)	y*2)	A[mm]	B[mm]	C[mm]	D[mm]	*E[mm]
-	09	-	30.8	16.4	25	30.46	$\varnothing 1$
1731091336	15	G2	39.1	24.7	33.3	38.76	
-	25	-	53	38.5	47.04	52.5	
-	37	-	69.3	54.9	63.5	68.96	

*PCB hole patterns see document 2195600062

No.	Pc.	Part	Type Description/Material	Surface plating/ Color/Class
8	4	Washer	Steel	tin plated
7	2	Female screw lock	F-GSCH1/5 / Steel	tin plated
6	2	Rivet ring	Brass	tin plated
5	2	Clinch nut	Brass	tin plated
4	2	Latch lock	Steel	tin plated
3	xx	Signal contact	S1 / Brass	G2
2	1	Shell	Steel	tin plated
1	1	Insulator	PBT (-55°C to +125°C) acc. UL94V-0	white

MEASUREMENTS WITHOUT TOLERANCE ACC TO ISO 2768-m REPLACEMENT FOR DOCUMENT NUMBER: FxxS1Gy-0726

FUNCTIONAL SYMBOLS	THIS DRAWING CONTAINS INFORMATION THAT IS PROPRIETARY TO MOLEX ELECTRONIC TECHNOLOGIES, LLC AND SHOULD NOT BE USED WITHOUT WRITTEN PERMISSION	CURRENT REV DESC:		molex			
	$\nabla_A = 0$	DIMENSION UNITS: mm	SCALE: 2:1		FCT D-SUB MINIATURE CONNECTOR		
	$\nabla_E = 0$	GENERAL TOLERANCES (UNLESS SPECIFIED)					
DIVISIONAL SYMBOLS	$\nabla_{E'} = 0$	ANGULAR TOL \pm	*	PRODUCT CUSTOMER DRAWING			
	4 PLACES	\pm					
	3 PLACES	\pm					
	2 PLACES	\pm					
	1 PLACE	\pm					
0 PLACES	\pm			DOCUMENT NUMBER: 1731091336	DOC TYPE: PSD	DOC PART: 000	REVISION: A
DRAFT WHERE APPLICABLE MUST REMAIN WITHIN DIMENSIONS		FIRST ANGLE PROJECTION	DRAWING: A3-SIZE	SERIES: 173109	MATERIAL NUMBER: SEE TABLE	CUSTOMER: GENERAL MARKET	SHEET NUMBER: 1 OF 1