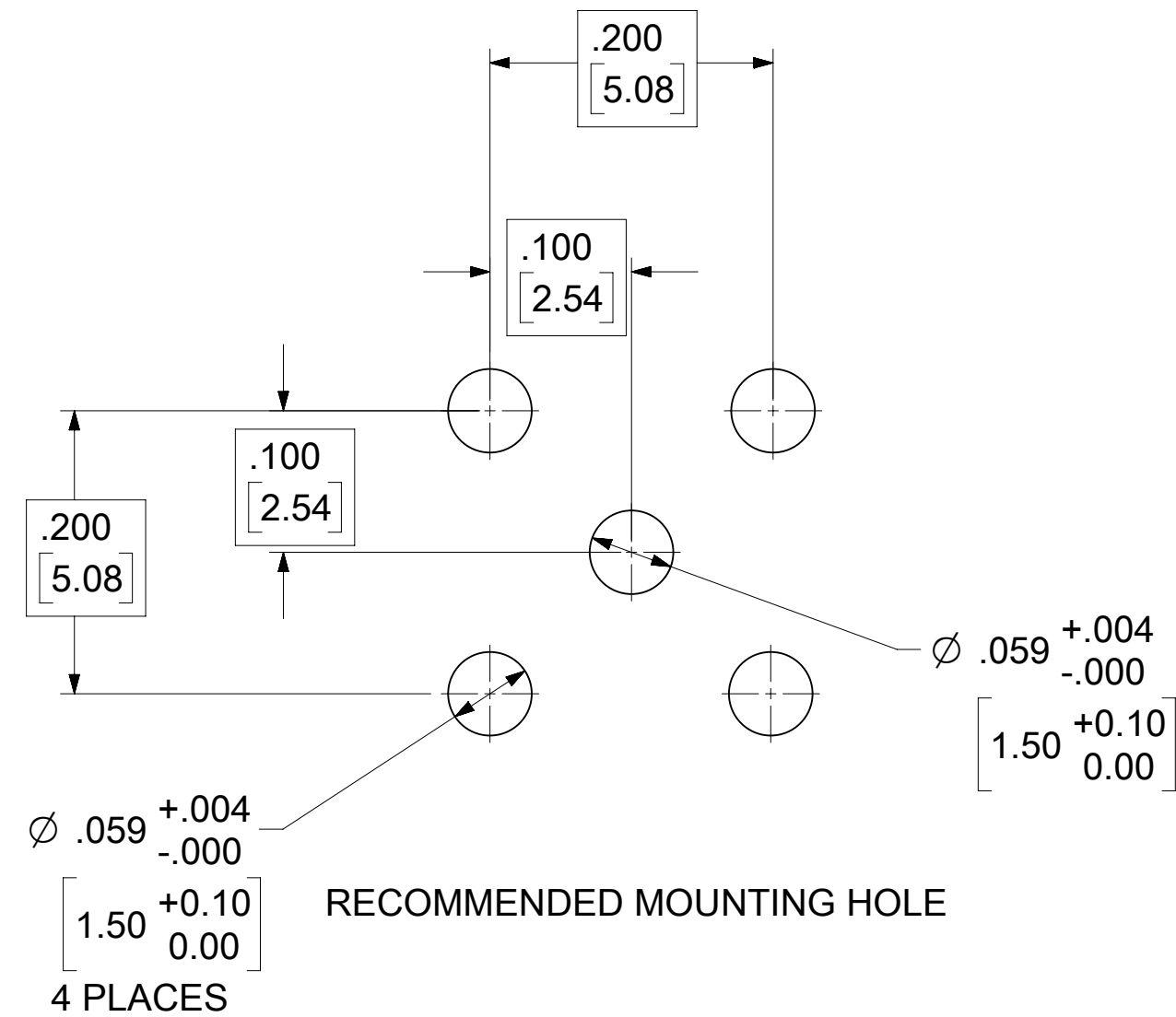
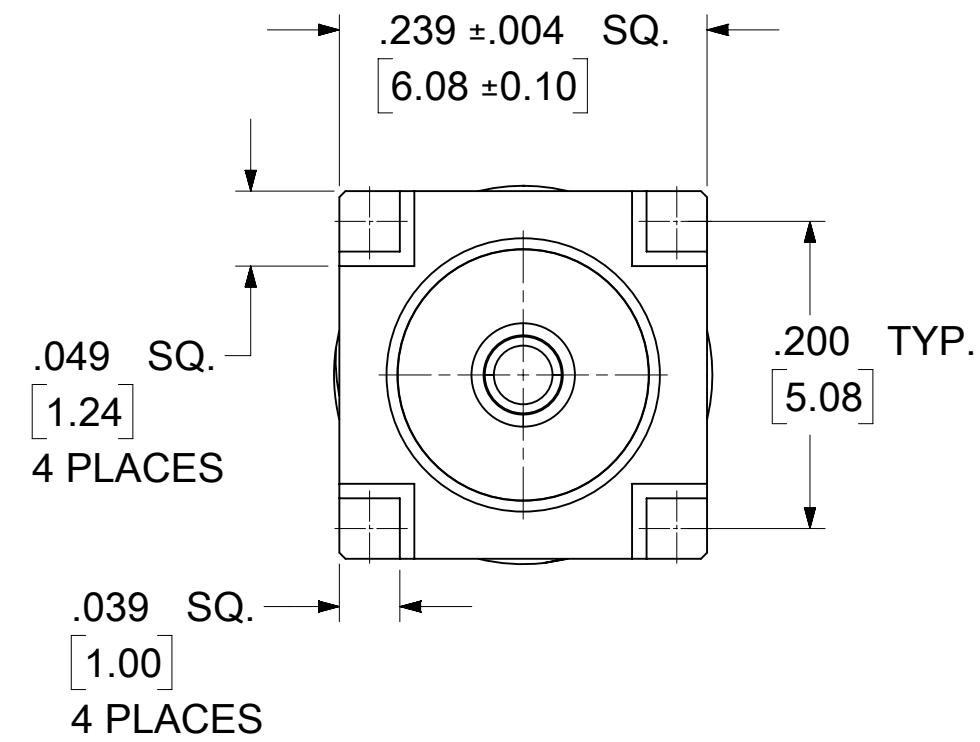
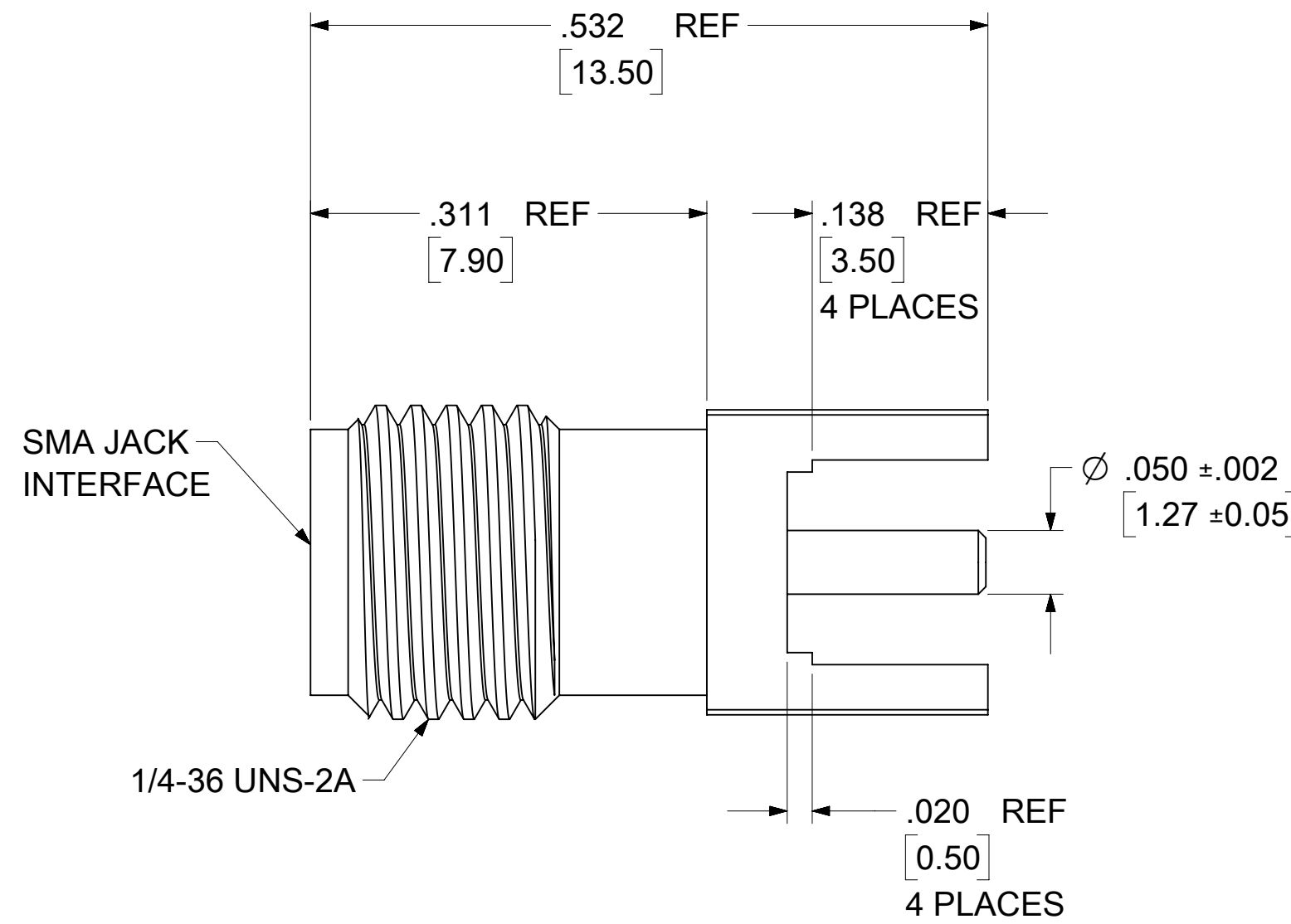
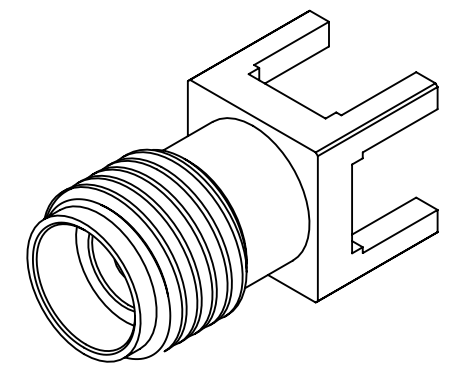


MATERIALS AND FINISHES:

BODY: BRASS
PLATED GOLD

CENTER CONTACT: BERYLLIUM COPPER
PLATED GOLD

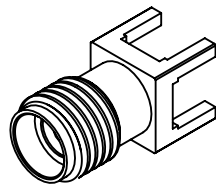
INSULATOR: TEFLON



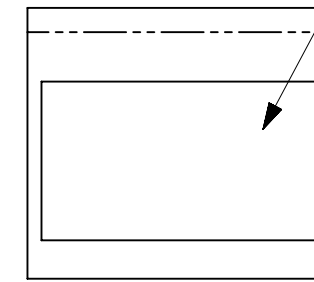
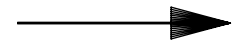
73391-0072	SMALL TRAY (20 CAV.)	SEE SHEET 4
73391-0071	ONE PIECE PER BAG	SEE SHEET 3
73391-0070	TRAY (80 CAV.)	SEE SHEET 2
PART NO.	PACKAGING	PACKING SPEC

PS-89675-346	ELECTRO/MECH. PERFORM.
SPECIFICATION	DESCRIPTION

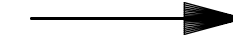
FUNCTIONAL SYMBOLS	THIS DRAWING CONTAINS INFORMATION THAT IS PROPRIETARY TO MOLEX ELECTRONIC TECHNOLOGIES, LLC AND SHOULD NOT BE USED WITHOUT WRITTEN PERMISSION										
	DIMENSION UNITS	SCALE	CURRENT REV DESC: ADD PKG PER EWR15870-A								
FA = 0	INCH	NTS									
FC = 0	GENERAL TOLERANCES (UNLESS SPECIFIED)									PRODUCT CUSTOMER DRAWING	
FD = 0	ANGULAR TOL ± 2.0°										
#####	4 PLACES ±		EC NO: 750458 DRWN: CWEI02 2022/09/26 CHK'D: YCHENG 2023/05/30 APPR: YCHENG 2023/05/30							DOC TYPE DOC PART REVISION PSD 001 B6	
	3 PLACES ±		INITIAL REVISION: DRWN: LYNN 1998/10/19 APPR: XXXX XXXX								
	2 PLACES ±										
	1 PLACE ±										
	0 PLACES ±										
	DRAFT WHERE APPLICABLE MUST REMAIN WITHIN DIMENSIONS		THIRD ANGLE PROJECTION		DRAWING	SERIES					
					C-SIZE	73391					



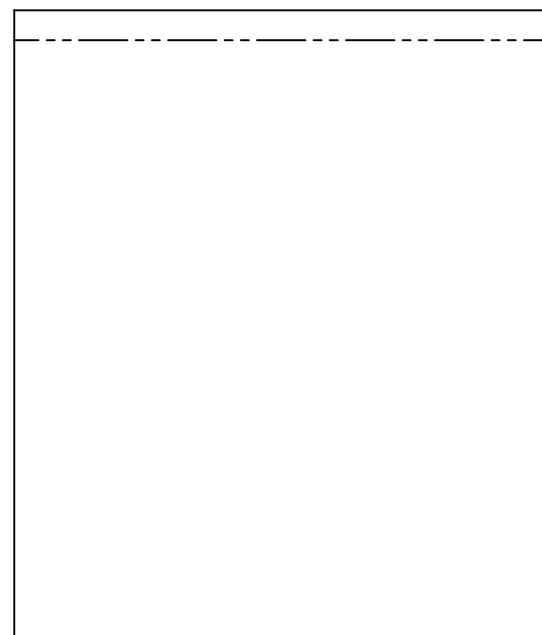
PRODUCT
PN-73391-0071



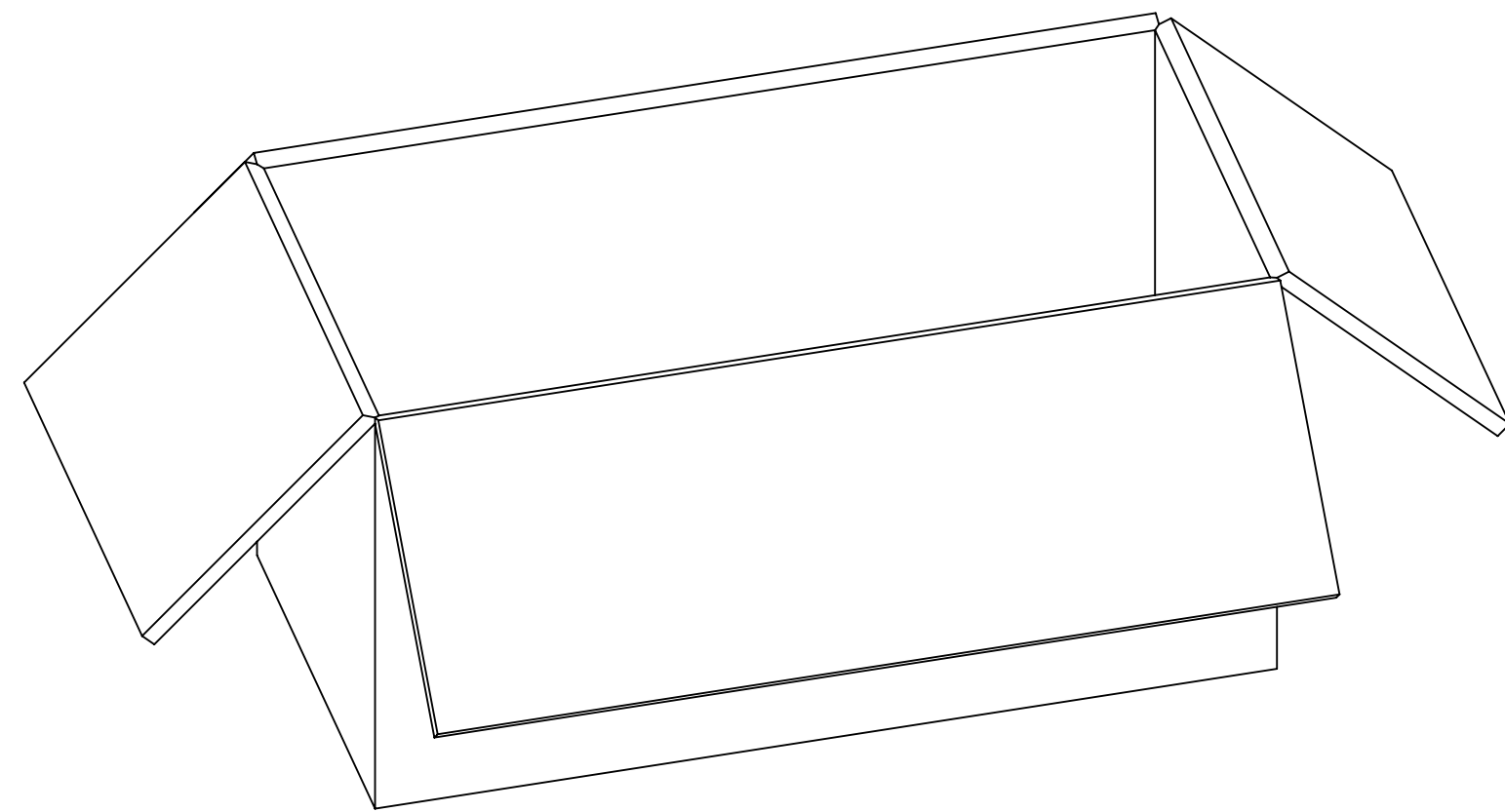
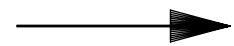
LABEL WITH EACH BAG:
PART NUMBER: 73391-0070
ORDER NUMBER: 73391-0071
MOLEX
DATE: YYWW



ONE SET PER ZIPPER POLY BAG
P/N: 89707-0317



50 SETS PER POLY BAG
P/N: 89707-0174



500 SETS PER CARTON BOX
P/N: 96707-0002

FUNCTIONAL SYMBOLS	THIS DRAWING CONTAINS INFORMATION THAT IS PROPRIETARY TO MOLEX ELECTRONIC TECHNOLOGIES, LLC AND SHOULD NOT BE USED WITHOUT WRITTEN PERMISSION										
	DIMENSION UNITS	SCALE	CURRENT REV DESC: ADD PKG PER EWR15870-A							molex	
$\frac{F}{A} = 0$	INCH	NTS	EC NO: 750458								
$\frac{F}{C} = 0$	GENERAL TOLERANCES (UNLESS SPECIFIED)		DRWN: CWEI02 2022/09/26							PRODUCT CUSTOMER DRAWING	
$\frac{F}{P} = 0$	ANGULAR TOL $\pm 2.0^\circ$		CHK'D: YCHENG 2023/05/30								
DIVISIONAL SYMBOLS	4 PLACES \pm		APPR: YCHENG 2023/05/30							DOC TYPE PSD	
	3 PLACES \pm		INITIAL REVISION:								
	2 PLACES \pm		DRWN: LYNN 1998/10/19							REVISION B6	
	1 PLACE \pm		APPR: XXXX								
	0 PLACES \pm		DRAFT WHERE APPLICABLE MUST REMAIN WITHIN DIMENSIONS		THIRD ANGLE PROJECTION	DRAWING	SERIES	CUSTOMER	SHEET NUMBER		
						C-SIZE	73391	GENERAL MARKET	3 OF 4		

DOCUMENT STATUS	P1	RELEASE DATE	2023/05/30	07:15:15
-----------------	----	--------------	------------	----------

