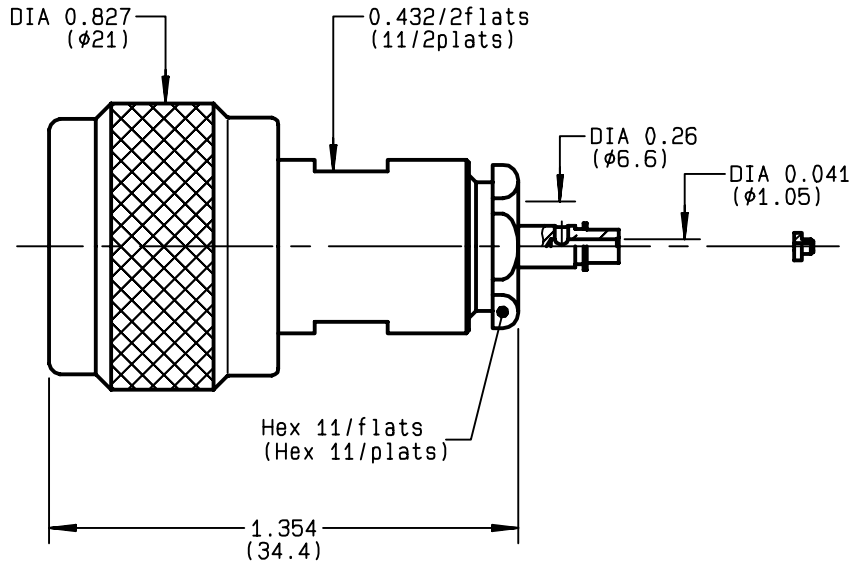


**STRAIGHT PLUG CLAMP TYPE
CABLE 6/75+93 .**

R161.012.000
SERIES N



NOMINAL IMPEDANCE	50 Ω	CABLES : BICC T3304 KX 6A RG 59 RG 62 RG 71
FREQUENCY RANGE	0-11 GHz	
TEMPERATURE RATING	-55/+155 °C	
V.S.W.R	NA + x F(GHz)Maxi	
RF INSERTION LOSS	0.048 √F(GHz) dB Maxi	
VOLTAGE RATING	850 Veff Maxi	
DIELECTRIC WITHSTANDING VOLTAGE	1500 Veff Mini	
INSULATION RESISTANCE	5000 MΩMini	
HERMETIC SEAL	NA Atm.cm ³ /s	
LEAKAGE (pressurized only)	NA	
MECHANICAL DURABILITY	500 Cycles	OTHERS CHARACTERISTICS
WEIGHT	32.5 gr	CABLE RETENTION 200 N Mini
SPECIFICATION		CENTER CONTACT RETENTION
		Axial force - mating end NA N Mini
		Axial force - opposite end 27 N Mini
		Torque NA cm.N Mini
		RECOMMENDED TORQUES
		Mating 130 cm.N
		Panel nut NA cm.N
		Clamp nut 450 cm.N

CONNECTOR PARTS	MATERIALS	FINISH	(all values are given) in micrometers
BODY	BRASS	BBR 2	
OUTER CONTACT	BRASS	BBR 2	
CENTER CONTACT	BRASS	GOLD 0.5 OVER NICKEL 2	
INSULATOR	PTFE	-	
GASKET	SILICONE RUBBER	-	
OTHERS PIECES	BRASS	BBR 2	

ISSUE	CREATION DATE	FILE PART-NUMBER
9809C02	27/06/1995	EPC 96-07



Connect to the future

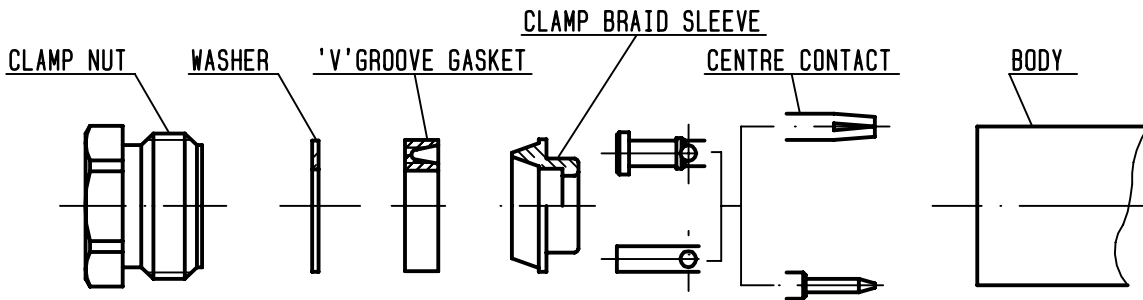
The information given here is subject to change without notice.
Design changes may be in order to improve the product .

TRIQUES E.



R161.012.000

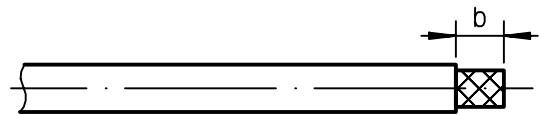
ISSUE 9809C02 SERIES N



①

Strip the cable .

-
-
-
-



Stripping	a	b	c	d	e
inch	0.157	0.295	0	0	0.039
mm	4	7.5			1

②

Slide the clamp nut , the washer and the 'V'groove gasket onto the cable .

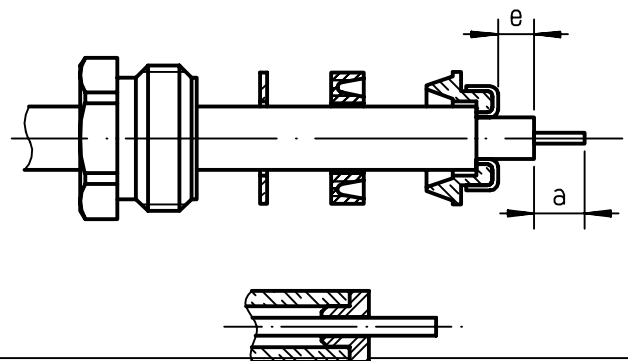
Slide clamp braid sleeve over braid .

Fold back braid and trim off surplus braid .

Trim back dielectric as shown .

-

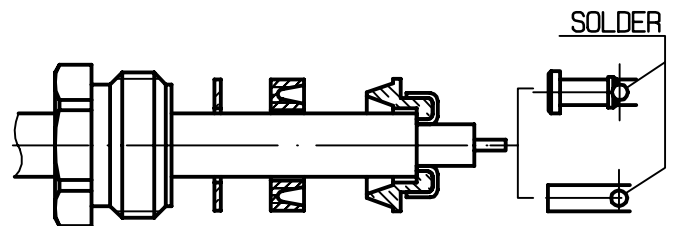
NOTA: For air-space PE cables , "e" = 0 .
Introduce insulator onto dielectric cable .



③

Solder the cable inner conductor into centre contact .

-
-
-
-
-

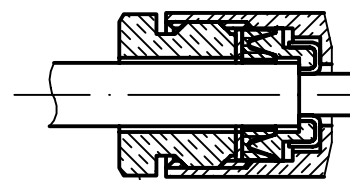


④

Screw sub-assembly into the connector body .

(recommended coupling torque 39.83 in.lb)

-
-



Hex. : 0.433/flats