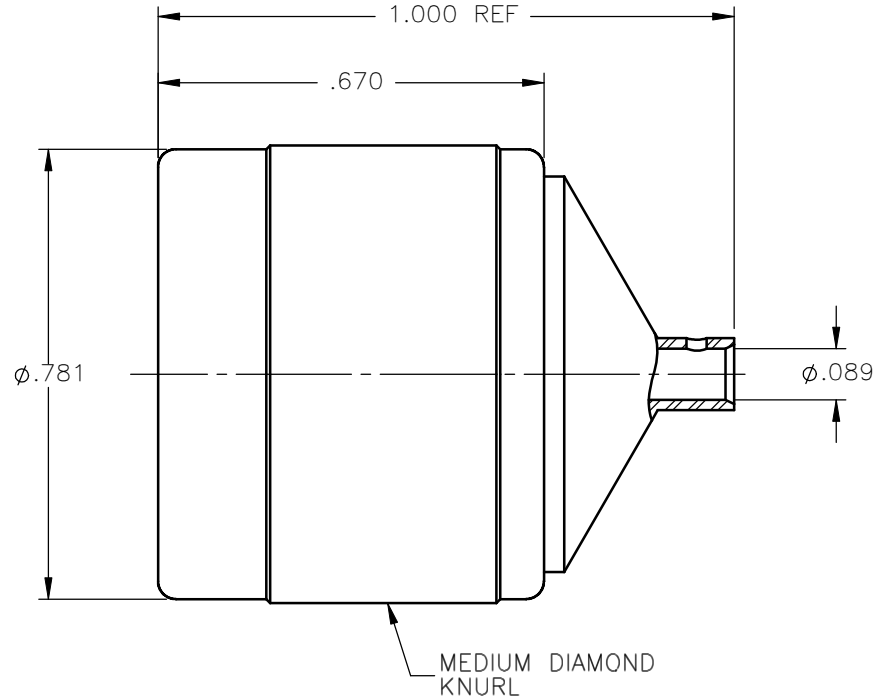


| REVISIONS |                 |          |          |
|-----------|-----------------|----------|----------|
| REV.      | DESCRIPTION     | DATE     | APPROVED |
| A         | INITIAL RELEASE | 03/02/10 | M.J.     |



NOTES:


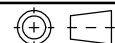
MATERIALS:

1. BODY & COUPLING NUT = STAINLESS STEEL PER ASTM A582, ALLOY 303, CONDITION "A".
2. INSULATOR = VIRGIN WHITE TEFLON PER ASTM D1710, GRADE 1, TYPE I, CLASS "B".
3. CONTACT & CONTACT SLEEVE = BERYLLIUM COPPER PER ASTM B196, ALLOY C17300, TEMPER TD04.
4. GASKET = DOW CORNING SILASTIC 250 SILICONE RUBBER 45-55 DUROMETER.
5. WASHER = PHOSPHOR BRONZE PER ASTM B139, COPPER ALLOY C53400, TEMPER H04.

FINISHES:

1. BODY = GOLD PLATE PER MIL-G-45204, TYPE II, CLASS 0, GRADE C, OVER .000050 TO .00010 STRESS FREE NICKEL PER QQ-N-290.
2. COUPLING NUT = PASSIVATE PER QQ-P-35, TYPE VI.
3. CONTACT & CONTACT SLEEVE = GOLD PLATE PER MIL-G-45204, TYPE II, CLASS 1, GRADE C, OVER .00010 TO .00020 STRESS FREE SULFAMATE NICKEL PER QQ-N-290.

Property of Radiall Incorporated  
 This document cannot be reproduced or  
 communicated to a third party without prior  
 written permission of RADIALL Incorporated.

|   |                       |          |  |  |            |   |                          |                                 |                 |
|---|-----------------------|----------|--|--|------------|---|--------------------------|---------------------------------|-----------------|
| UNLESS OTHERWISE SPECIFIED<br>DIMENSIONS ARE IN INCHES<br>TOLERANCES ON | DWN:                  | DATE     |  <b>APPLIED ENGINEERING PRODUCTS</b><br>104 John W. Murphy Dr.<br>New Haven, CT 06513<br>a <b>RADIALL</b> company | <b>TYPE "N" STRAIGHT PLUG</b><br><b>DIRECT SOLDER TYPE</b><br><b>FOR .086 S/R &amp; SIMILAR CABLES</b> |            |   |                          |                                 |                 |
|   | M.J.                  | 03/02/10 |  |  |            |   |                          |                                 |                 |
| DECIMAL   | ANGLE                 | CHKD:    | DATE   |  |            | SIZE<br><b>A</b>  | FSCM NO.<br><b>19505</b> | DWG NO.<br><b>4000-1563-010</b> | REV<br><b>A</b> |
|   |                       | D.N.     | 03/02/10   |  |            |   |                          |                                 |                 |
|   |                       | APVD:    | DATE   | THIRD ANGLE<br>PROJECTION  |            |  |                          | SHEET 1 OF 1                    |                 |
|   |                       | J.M.     | 03/02/10   | SCALE  | <b>3:1</b> |   |                          |                                 |                 |
| REFERENCE:  | MATERIALS & FINISHES: |          | SEE NOTES  |  |            |   |                          |                                 |                 |
| ORIGINATED: M.J.<br>DATE: 03/02/10                                      |                       |          |  |  |            |   |                          |                                 |                 |

4000-1563-010