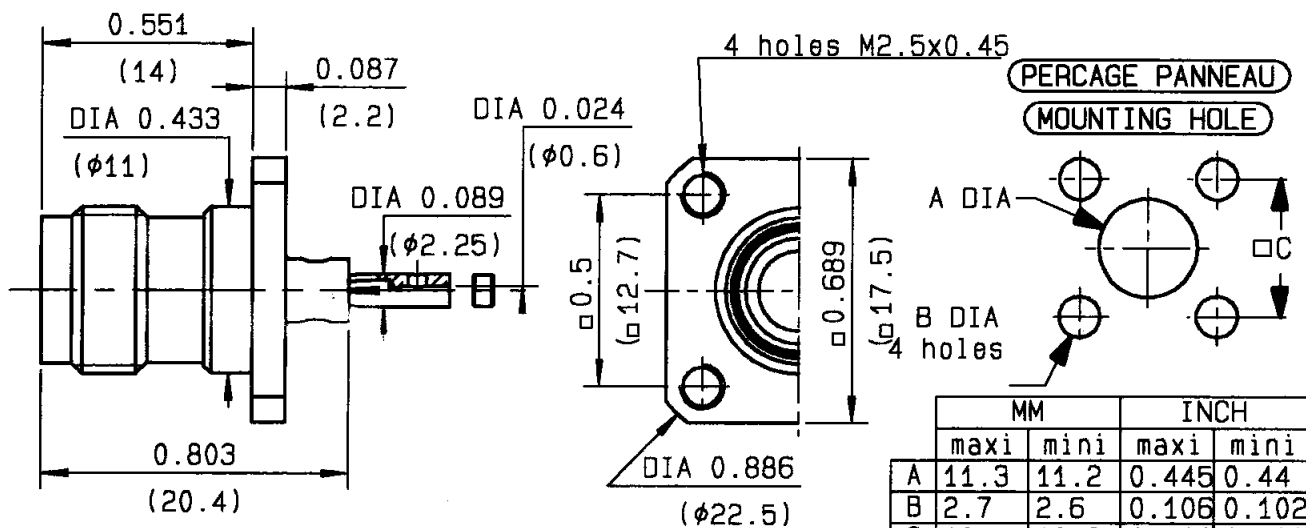


STRAIGHT JACK WITH FLANGE , SOLDER TYPE
CABLE .085

Series : TNC

1 / 2



CABLES : -

CHARACTERISTICS

NOMINAL IMPEDANCE	50	Ω
FREQUENCY RANGE	0-6	GHz
TEMPERATURE RATING	-65/+105	°c
VSWR	1.35	Maxi
RF INSERTION LOSS	0.2	√F(GHz) dB Maxi
VOLTAGE RATING	500	Vrms Max
DIELECTRIC WITHSTANDING VOLTAGE	1000	Vrms min
INSULATION RESISTANCE	5000	M Ω min
HERMETIC SEAL	-	cc/s
	NA	Atm.cm3/s
LEAKAGE (pressurized only)	-	psi
	NA	MPa
WEIGHT	-	Oz
	0	g

STANDARDISATION

CECC 22200/TNC
CEI 169-17/TNC
MIL STD348-313/TNC

CABLE RETENTION

44.9 lb min
200 N

CENTER CONTACT RETENTION

Axial force - mating end	0 lb min NA N
Axial force - opposite end	0 lb min NA N
Torque (Min)	0 Inch.oz NA cm.N

RECOMMENDED TORQUES

Mating	0 Inch.lb NA cm.N
Panel nut	0 Inch.lb NA cm.N
Clamp nut	0 Inch.lb NA cm.N

CONSTRUCTION

CONNECTOR PARTS

MATERIALS

FINISH

BODY	BRASS	NICKEL
OUTER CONTACT	BRASS	NICKEL
CENTER CONTACT	BERYLLIUM COPPER	GOLD
INSULATOR	PTFE	-
-	-	-
-	-	-
-	-	-
-	-	-

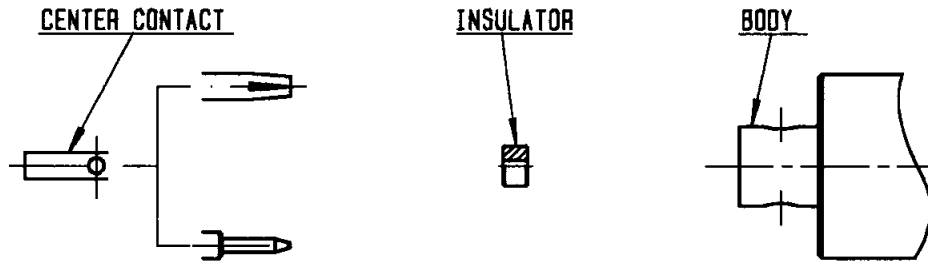
ISSUE	REVISION No	DESCRIPTION	BY	DATE
-	-	-	-	-
9605	-	Added positioner P282 744 400 on sheet 2.	RAFFAELI	30-01-96

Initiated on 08/11/94

The information given here is subject to change without notice. Design changes may be in order to improve the product.



Approval by MARTIN

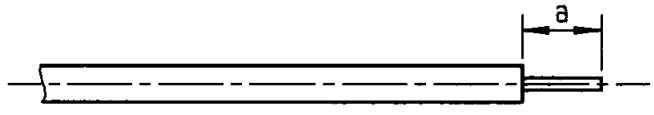


We recommend a cable thermal preconditioning before assembly.

①

Strip the cable.
Clean the cable.

-
-
-

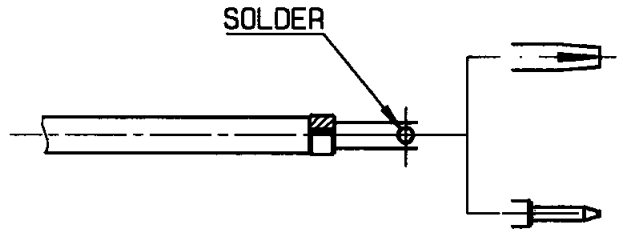


Stripping	a	b	c	d	e
inch	1.575 0	0	0	0	0
mm	4	-	-	-	-

②

Slide insulator onto the cable center conductor.
Solder center contact onto cable center conductor.
Clean solder area.

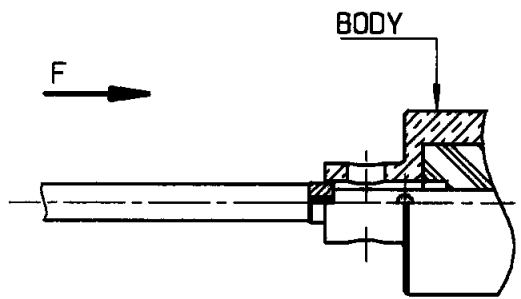
-
-
-



③

Screw positioner R 282 744 400 onto connector.
Slide sub-assembly into the connector body (in direction F).

-
-
-
-



④

Solder the cable into body of connector.
After cooling remove positioner and clean soldered area.

-

