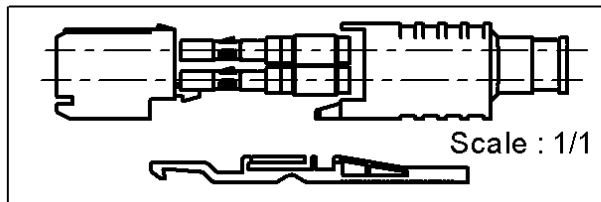
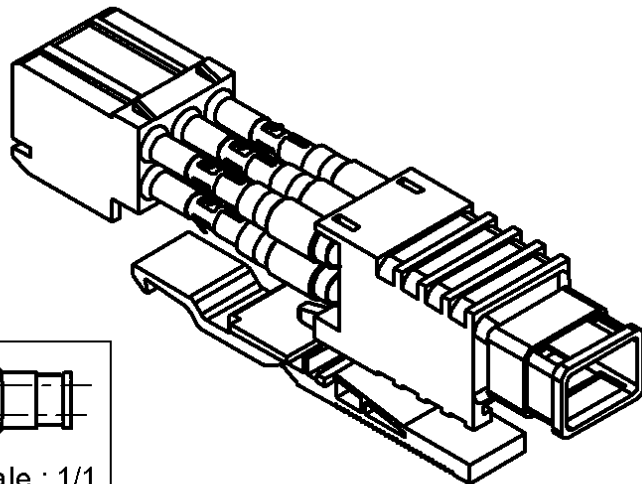
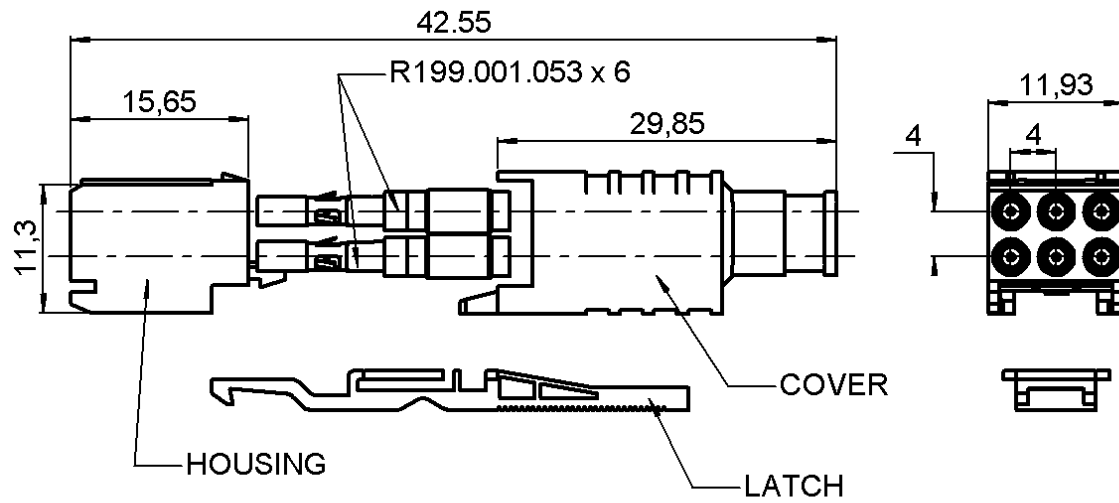


**STR. FEMALE MODULE 6 CRIMP TYPE INSERTS**

**R694.252.557**

**CABLE 2.5/75 D**

Series : FICH-COAX



All dimensions are in mm.



COMPONENTS	MATERIALS	PLATINGS (µm)
BODY	BRASS	GOLD 1.3 OVER NICKEL 2
CENTER CONTACT	BERYLLIUM COPPER	GOLD 1.3 OVER NICKEL 2
OUTER CONTACT		
INSULATOR	PTFE	
GASKET		
OTHERS PARTS	LIQUID CRISTAL POLYMER	NICKEL 0.6 OVER COPPER 3
.	.	.
.	.	.

Issue : 0234 A

In the effort to improve our products, we reserve the right to make changes judged to be necessary.



**STR. FEMALE MODULE 6 CRIMP TYPE INSERTS**

**R694.252.557**

**CABLE 2.5/75 D**

Series : FICH-COAX

**PACKAGING**

**SPECIFICATION**

Standard	Unit	Other
<b>30</b>	<b>'W' option</b>	<b>Contact us</b>

**ELECTRICAL CHARACTERISTICS**

**ENVIRONMENTAL**

Impedance		<b>75</b> Ω
Frequency		<b>0-6</b> GHz
VSWR	<b>NA</b> +	<b>0.000</b> x F(GHz) Maxi
Insertion loss		<b>NA</b> √F(GHz) dB Maxi
RF leakage	- (	<b>NA</b> - F(GHz)) dB Maxi
Voltage rating		<b>500</b> Veff Maxi
Dielectric withstanding voltage		<b>750</b> Veff mini
Insulation resistance		<b>5000</b> MΩ mini

Operating temperature	<b>-25/+125</b> ° C
Hermetic seal	<b>NA</b> Atm.cm3/s
Panel leakage	<b>NA</b>

**OTHERS CHARACTERISTICS**

Assembly instruction

Others :  
Housing material : UL94V-0

**MECHANICAL CHARACTERISTICS**

Center contact retention		
Axial force – Mating end	<b>NA</b>	N mini
Axial force – Opposite end	<b>NA</b>	N mini
Torque	<b>NA</b>	N.cm mini
Recommended torque		
Mating	<b>NA</b>	N.cm
Panel nut	<b>NA</b>	N.cm
Mating life	<b>500</b>	Cycles mini
Weight	<b>293.200</b>	g

Issue : 0234 A

In the effort to improve our products, we reserve the right to make changes judged to be necessary.



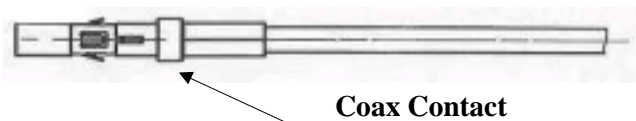
**STR. FEMALE MODULE 6 CRIMP TYPE INSERTS**

**R694.252.557**

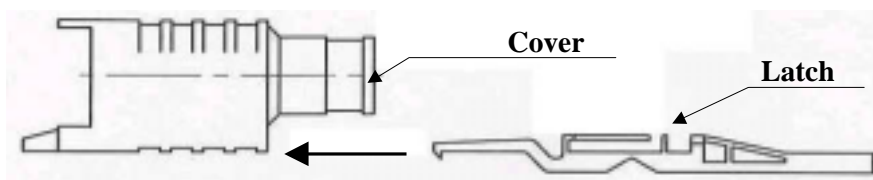
**CABLE 2.5/75 D**

Series : FICH-COAX

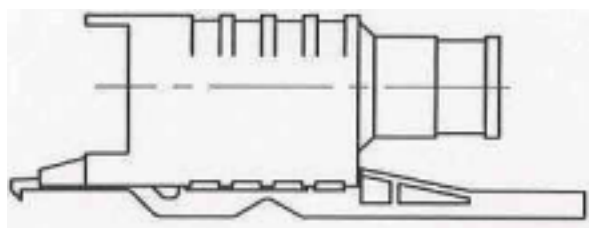
1



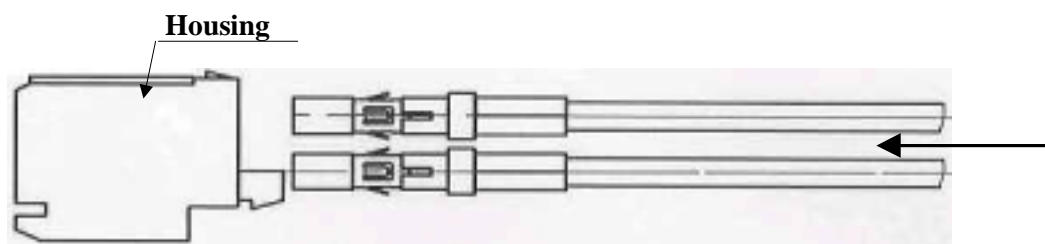
2



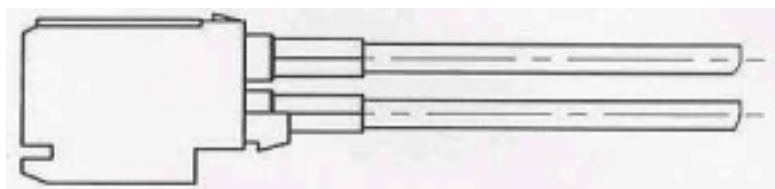
3



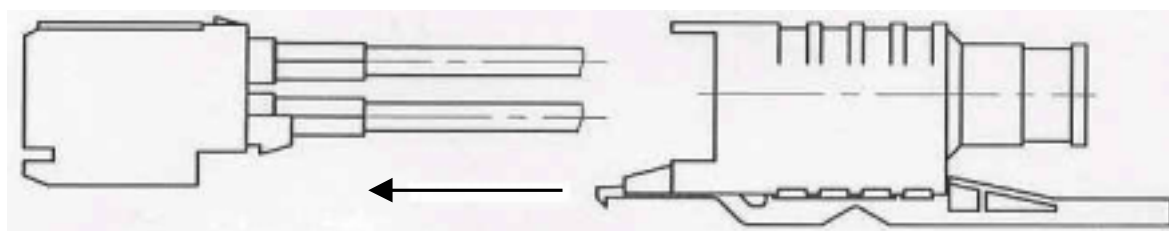
4



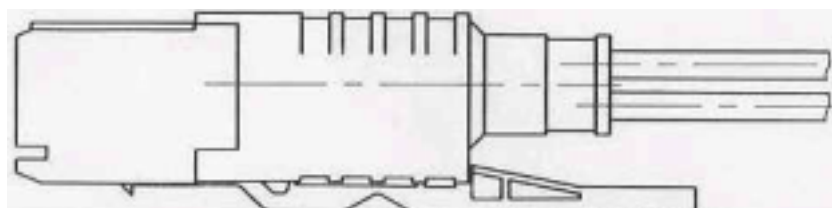
5



6



7



Issue : 0234 A

In the effort to improve our products, we reserve the right to make changes judged to be necessary.

