

PART NO.	A99000-512	REV	ECO	DATE	APP
		C	104188	01-29-18	HV

MATERIALS

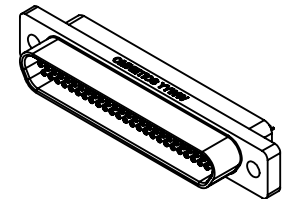
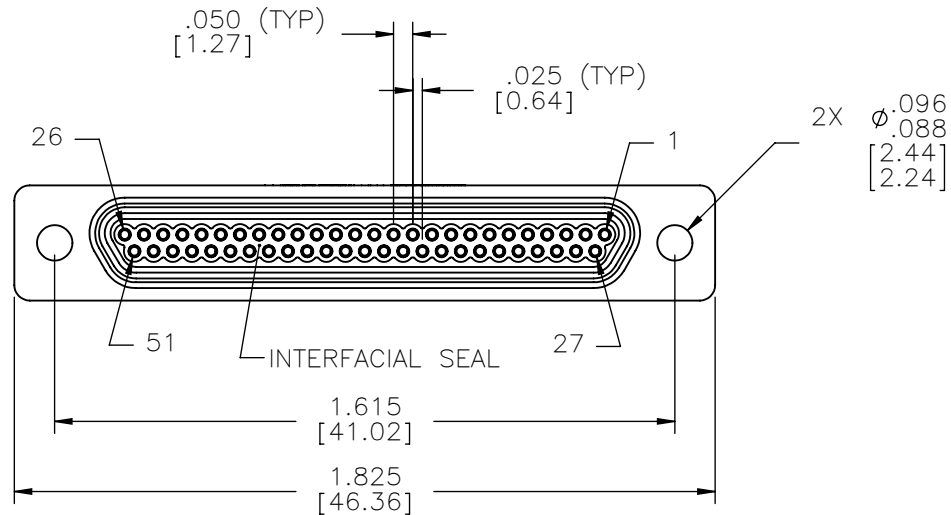
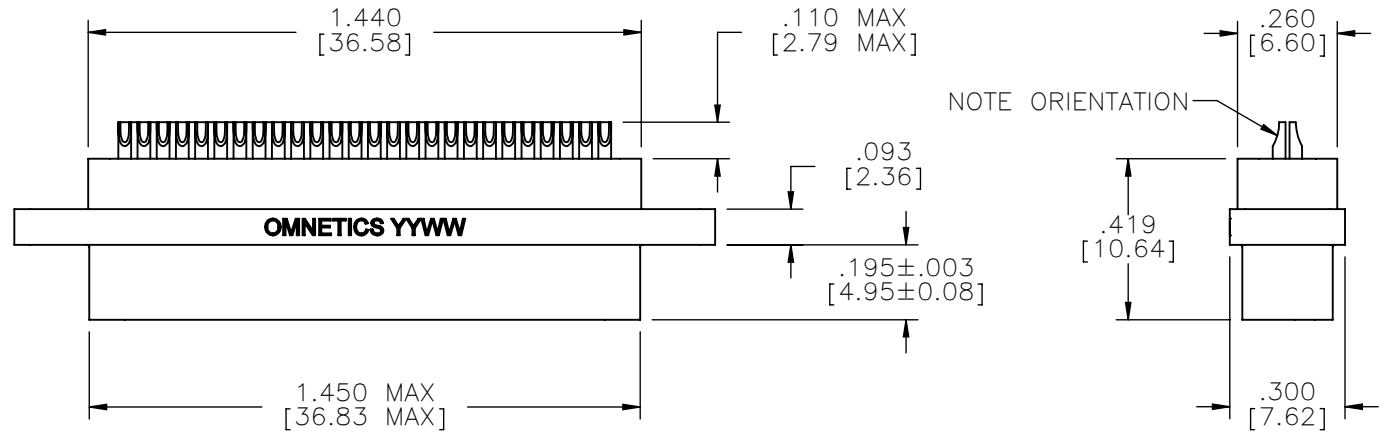
HOUSING:
ALUMINUM 6061, NICKEL PLATE
(500 MICROINCHES MINIMUM)
PER SAE-AMS-2404

INSULATOR:
LIQUID CRYSTAL POLYMER
(LCP) PER ASTM D5138

CONTACT/SOLDERCUP:
COPPER ALLOY PER MIL-DTL-
83513, GOLD PLATED PER
ASTM B488, (HARD GOLD)
TYPE II CODE C CLASS 1.27

INTERFACIAL SEAL:
SILICONE RUBBER PER A-A-
59588

HARDWARE:
AVAILABLE UPON REQUEST



ACTUAL SIZE

RoHS

NOTE:

DIMENSIONS IN [] ARE IN MILLIMETERS UNLESS OTHERWISE NOTED AND ARE FOR REFERENCE ONLY

MGT'S SCHEM MGT'S SCHEM	THIRD ANGLE	THIS DRAWING CONTAINS CONFIDENTIAL AND PROPRIETARY INFORMATION WHICH IS THE PROPERTY OF OMNETICS CONNECTOR CORP. THIS DOCUMENT MAY NOT, IN WHOLE OR IN PART, BE DUPLICATED, OR DISCLOSED FOR ANY PURPOSE, WITHOUT WRITTEN PERMISSION FROM OMNETICS CONNECTOR CORP.		OMNETICS CONNECTOR CORPORATION 7260 COMMERCE CIRCLE EAST MINNEAPOLIS, MN 55432 WWW.OMNETICS.COM	CAGE CODE 61873		
	-TOLERANCES-	DFTM. DGJ	DATE		TITLE:	DWG NO.	SHEET 1 OF 1
	UNLESS OTHERWISE NOTED	CHK'D.	DATE		(51) SOCKET FEMALE	A99000-512	
	DIMENSIONS IN INCHES	APP'D.	DATE		MICRO-D CONNECTOR	SCALE: 2:1	C