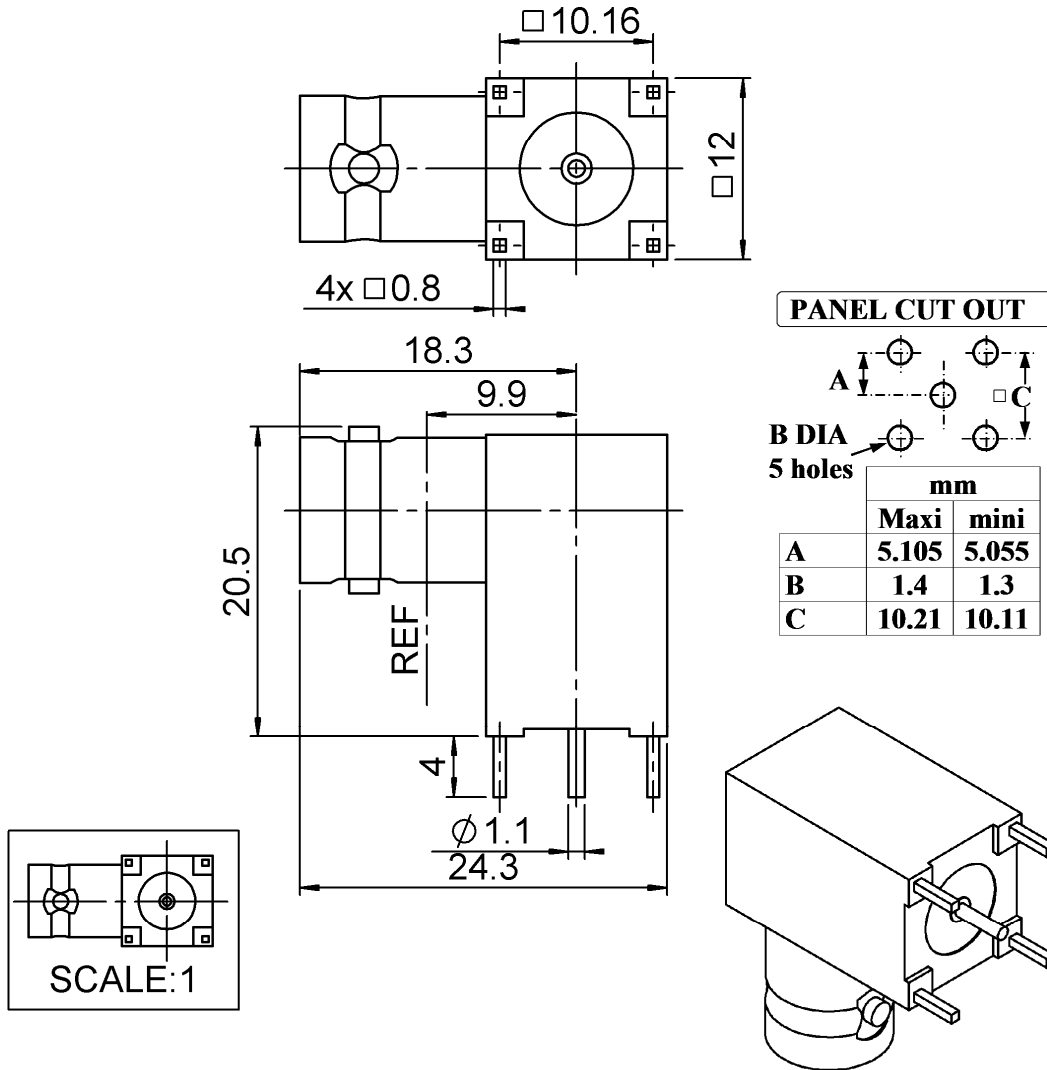


**RIGHT ANGLE JACK RECEPTACLE
FOR PCB SOLDER LEGS**

R141.665.200

Series : **BNC 50**



All dimensions are in mm.

COMPONENTS	MATERIALS	PLATING (µm)
BODY	BRASS	NICKEL
CENTER CONTACT	BRONZE	GOLD
OUTER CONTACT		
INSULATOR	PTFE	
GASKET		
OTHERS PARTS		
.	.	.
.	.	.

Issue : 1122 A

In the effort to improve our products, we reserve the right to make changes judged to be necessary.



**RIGHT ANGLE JACK RECEPTACLE
FOR PCB SOLDER LEGS**

R141.665.200

Series : **BNC 50**

PACKAGING

SPECIFICATION

Standard	Unit	Other
100	'W' option	Contact us

ELECTRICAL CHARACTERISTICS

ENVIRONMENTAL

Impedance	50	Ω
Frequency	0-1.5	GHz
VSWR	1.08 + 0,0060	x F(GHz) Maxi
Insertion loss	.06*	$\sqrt{F(GHz)}$ dB Maxi
RF leakage	- (57)	- F(GHz) dB Maxi
Voltage rating	500	Veff Maxi
Dielectric withstanding voltage	1500	Veff mini
Insulation resistance	5000	M Ω mini

Operating temperature	-35/+70	$^{\circ}$ C
Hermetic seal	NA	Atm.cm3/s
Panel leakage	NA	

OTHER CHARACTERISTICS

Assembly instruction **NA**

Others :

*Coaxial Transmission Line Only

MECHANICAL CHARACTERISTICS

Center contact retention		
Axial force – Mating end	15	N mini
Axial force – Opposite end	15	N mini
Torque	NA	N.cm mini
Recommended torque		
Mating	NA	N.cm
Panel nut	NA	N.cm
Mating life	100	Cycles mini
Weight	22,1000	g

Issue : 1122 A

In the effort to improve our products, we reserve the right to make changes judged to be necessary.

RADIALL 