

MATERIALS AND FINISHES

BODY: BRASS  
PLATED: NICKEL

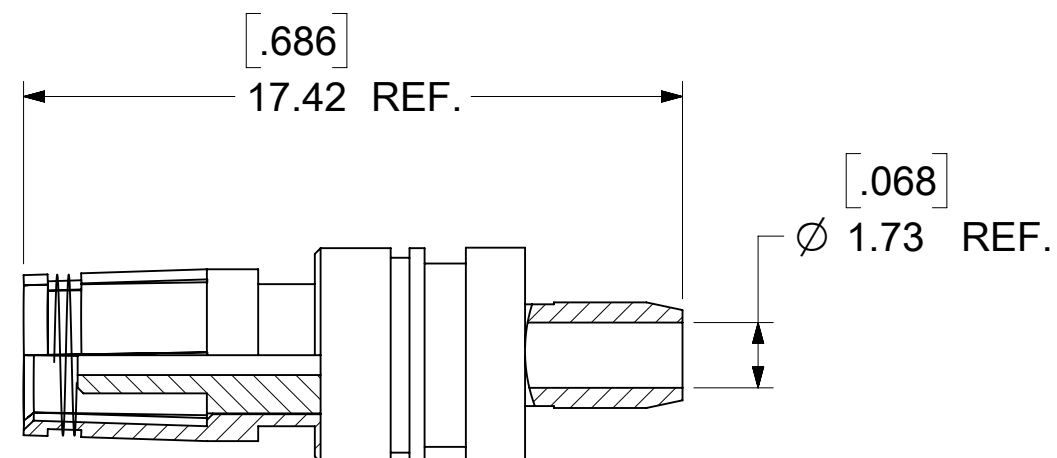
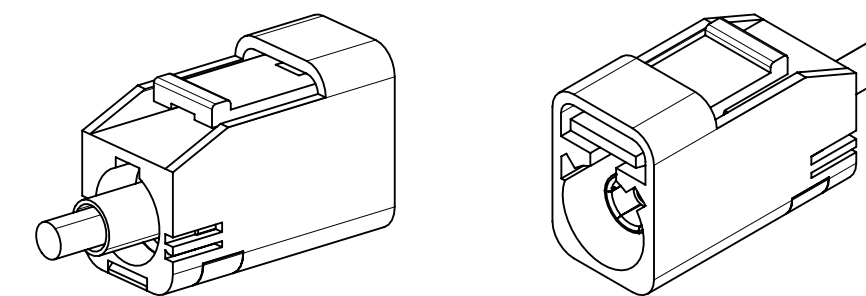
CENTER CONTACT: PHOSPOR BRONZE  
PLATED: GOLD

CRIMP TUBE: BRASS  
PLATED: NICKEL

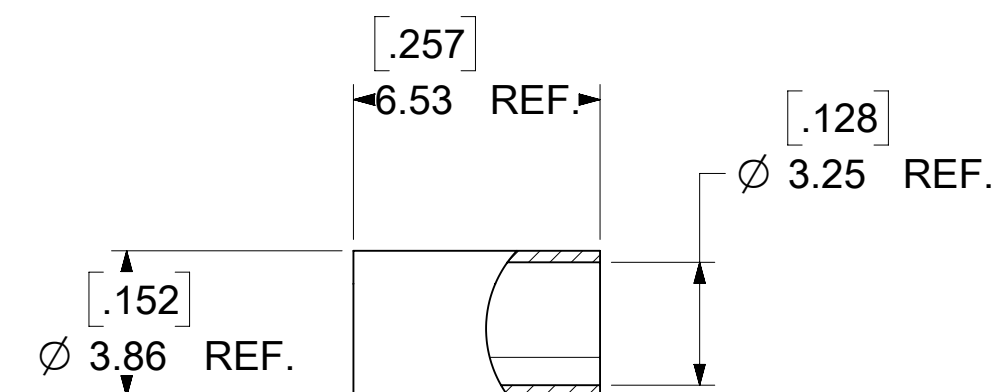
OUTER CASING: NYLON 66 OR EQUIVALENT  
KEYING: SEE TABLE  
COLOR: SEE TABLE

INSULATOR: PP

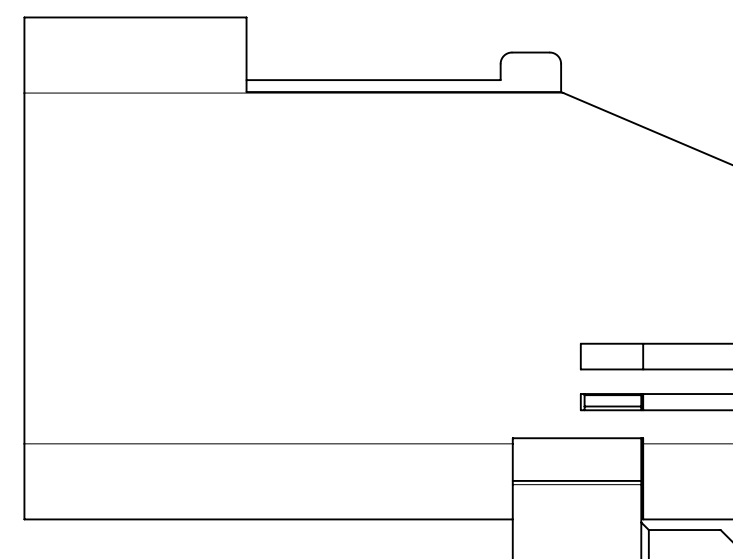
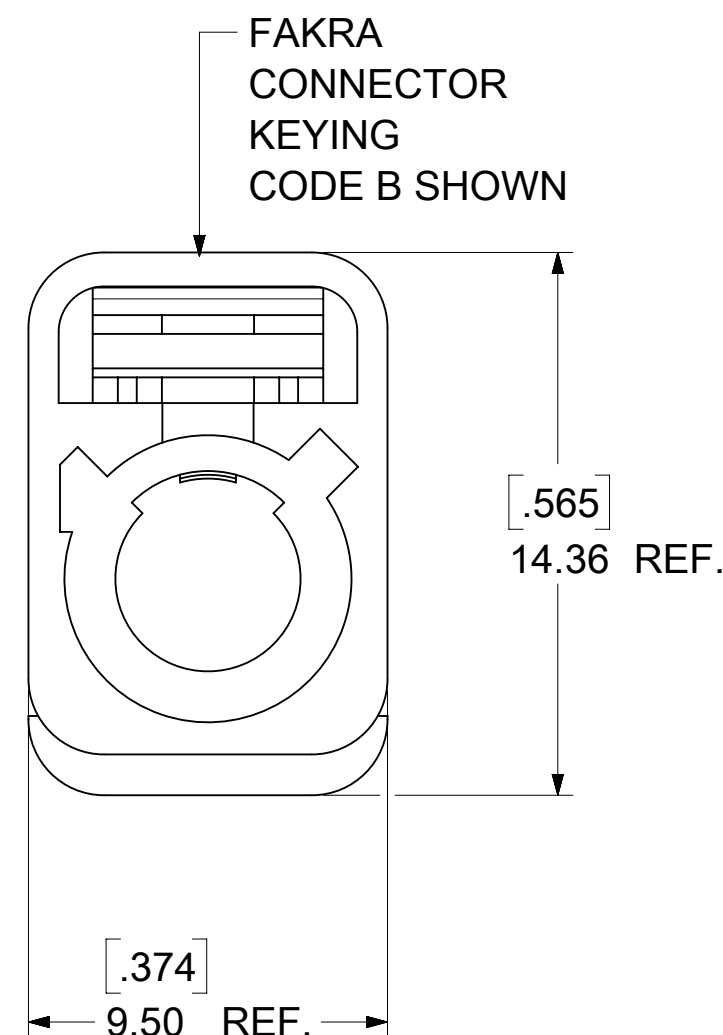
PACKAGING BY SINGLE BAG



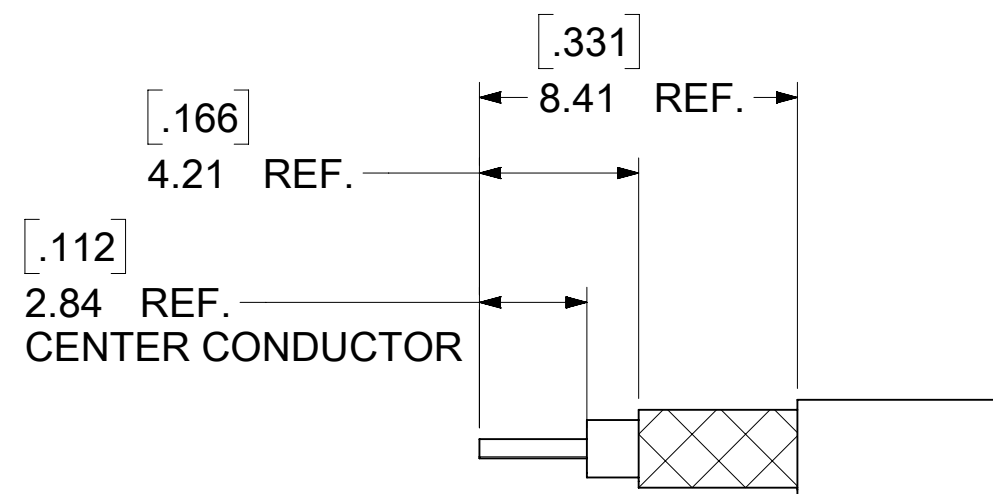
CENTER CONTACT  
PART NO.: 89538-0781



CRIMP TUBE  
PART NO.: 89613-1792



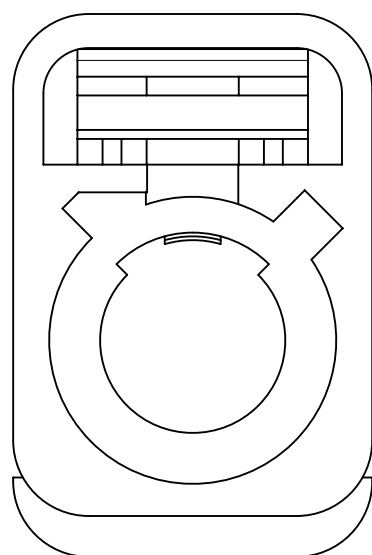
SECONDARY LOCK  
(TPA)



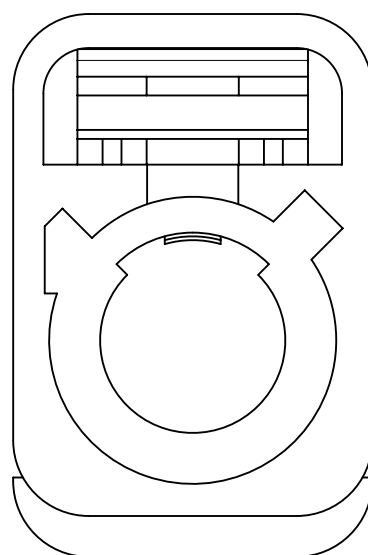
RECOMMENDED CABLE STRIP DIM.

AS-73597-045	ASSEMBLY INSTYUCTION
PS-89675-331	PRODUCT SPECIFICATION
DIN 72594-1	INTERFACE SPECIFICATION
SPECIFICATION	DESCRIPTION

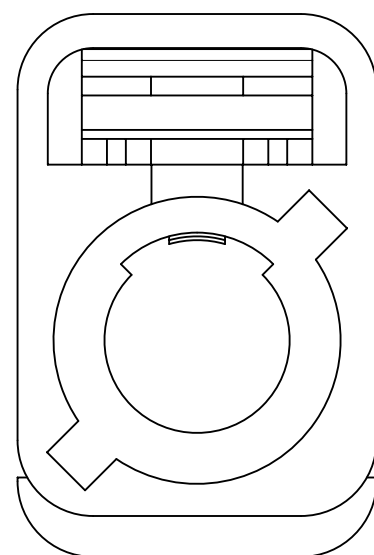
FUNCTIONAL SYMBOLS										THIS DRAWING CONTAINS INFORMATION THAT IS PROPRIETARY TO MOLEX ELECTRONIC TECHNOLOGIES, LLC AND SHOULD NOT BE USED WITHOUT WRITTEN PERMISSION									
FA = 0		HYBRID		NTS		CURRENT REV DESC: ADDED NOTE PER EWR # 15738-A		SCALE		EC NO: 744129		DRWN: ELIN		2023/03/23		<b>molex</b>		SMB PLUG FAKRA STR. 50 OHMS FOR RG316 FAKRA -PC	
FC = 0		GENERAL TOLERANCES (UNLESS SPECIFIED)		ANGULAR TOL ± 2.0°		4 PLACES ±		3 PLACES ±		CHK'D: YCHENG		2023/03/31							
FP = 0		DIVISIONAL SYMBOLS		1 PLACE ±		0 PLACES ±		INITIAL REVISION:		DRWN: ELIN		2012/12/05		PRODUCT CUSTOMER DRAWING		DOCUMENT NUMBER		DOC TYPE   DOC PART   REVISION	
DRAFT WHERE APPLICABLE MUST REMAIN WITHIN DIMENSIONS		THIRD ANGLE PROJECTION		DRAWING		SERIES		MATERIAL NUMBER		CUSTOMER		SHEET NUMBER		SD-73403-626		PSD		001   A3	
SEE TABLE		C-SIZE		73403		GENERAL MARKET		SEE TABLE		GENERAL MARKET		1 OF 3							



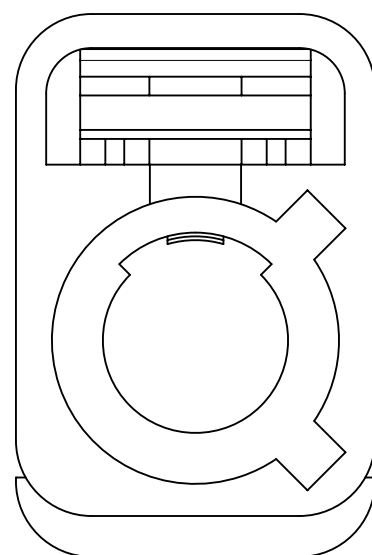
CODE A



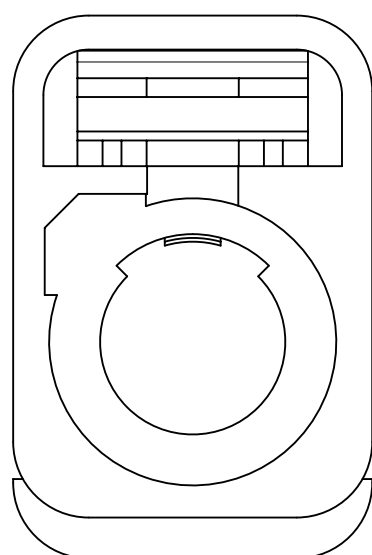
CODE B



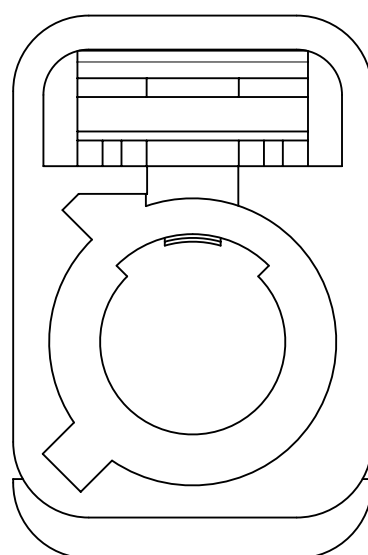
CODE C



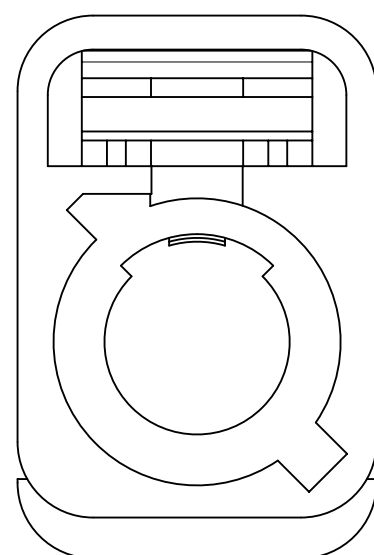
CODE D



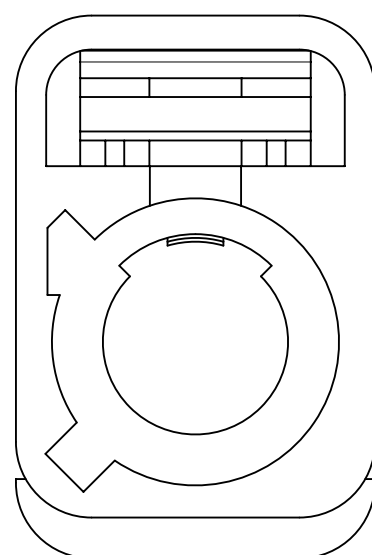
CODE E



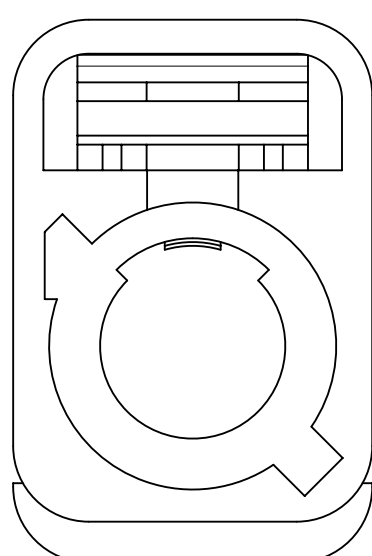
CODE F



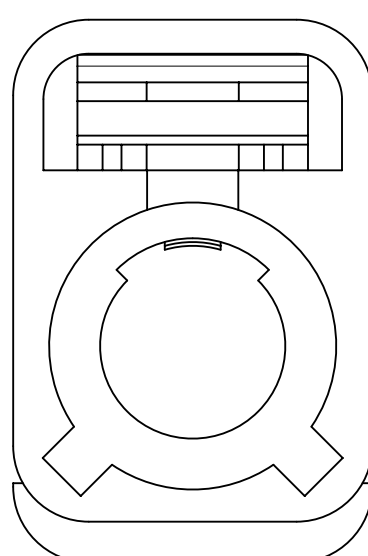
CODE G



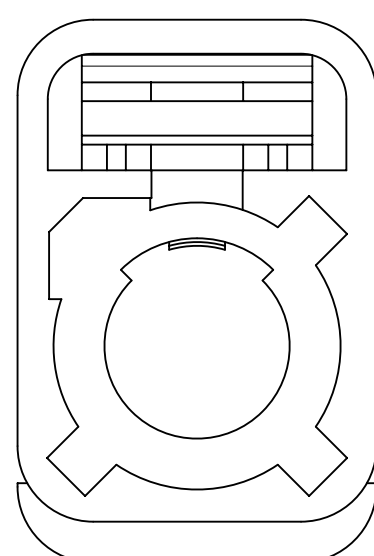
CODE H



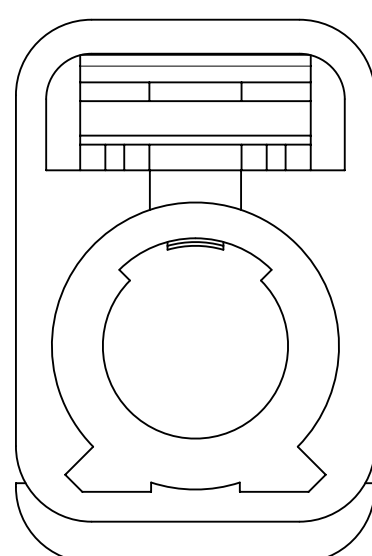
CODE I



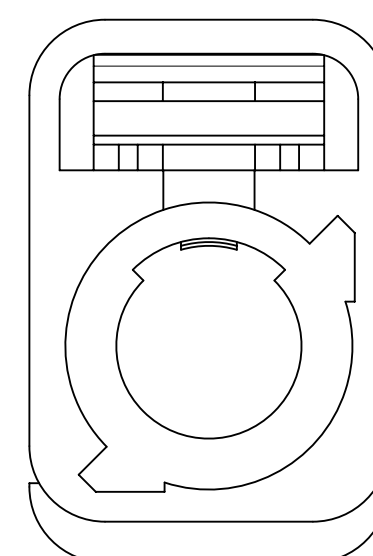
CODE K



CODE Z



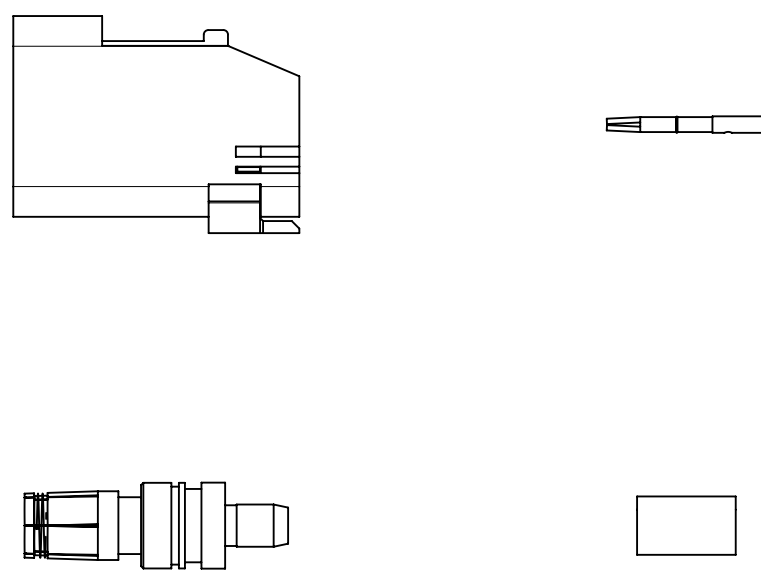
CODE M  
CODE L



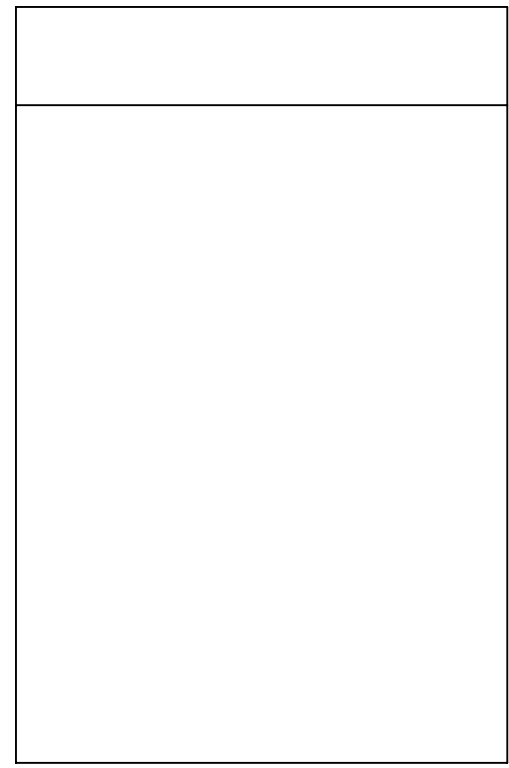
CODE N

N	PASTEL GREEN	73403-6273	SINGLE BAG	73403-8973	BULK PACK
M	PASTEL ORANGE	73403-6272		73403-8982	
L	CARMINE RED	73403-6271		73403-8981	
Z	WATER BLUE	73403-6270		73403-8980	
K	CURRY YELLOW	73403-6269		73403-8979	
I	BEIGE	73403-6268		73403-8978	
H	VIOLET	73403-6267		73403-8977	
G	GRAY	73403-6266		73403-8976	
F	BROWN	73403-6265		73403-8975	
E	GREEN	73403-6264		73403-8974	
D	BORDEAUXVILLOET	73403-6263		73403-8973	
C	BLUE	73403-6262		73403-8972	
B	SINGLE WHITE	73403-6261		73403-8971	
A	BLACK	73403-6260	73403-8970		
KEYING CODE	COLOR	PART NO.	PACKAGE	PART NO.	PACKAGE

FUNCTIONAL SYMBOLS										THIS DRAWING CONTAINS INFORMATION THAT IS PROPRIETARY TO MOLEX ELECTRONIC TECHNOLOGIES, LLC AND SHOULD NOT BE USED WITHOUT WRITTEN PERMISSION									
DIMENSION UNITS		SCALE		CURRENT REV DESC: ADDED NOTE PER EWR # 15738-A															
HYBRID		NTS		<p><b>molex</b></p> <p>SMB PLUG FAKRA STR. 50 OHMS FOR RG316 FAKRA -PC</p> <p>PRODUCT CUSTOMER DRAWING</p>															
GENERAL TOLERANCES (UNLESS SPECIFIED)																			
ANGULAR TOL ± 2.0°																			
DIVISIONAL SYMBOLS		4 PLACES ±		EC NO: 744129		2023/03/23		DRWN: ELIN		2023/03/31		CHK'D: YCHENG		2023/03/31		APPR: YCHENG		2023/03/31	
		3 PLACES ±		INITIAL REVISION:				DRWN: ELIN		2012/12/05		APPR: MHUANG		2013/07/10		DOCUMENT NUMBER		DOC TYPE   DOC PART   REVISION	
		2 PLACES ±		SD-73403-626				PSD		001		A3							
		1 PLACE ±		DRAFT WHERE APPLICABLE		THIRD ANGLE PROJECTION		DRAWING		SERIES		MATERIAL NUMBER		CUSTOMER		SHEET NUMBER			
		0 PLACES ±		MUST REMAIN WITHIN DIMENSIONS		C-SIZE		73403		SEE TABLE		GENERAL MARKET		2 OF 3					



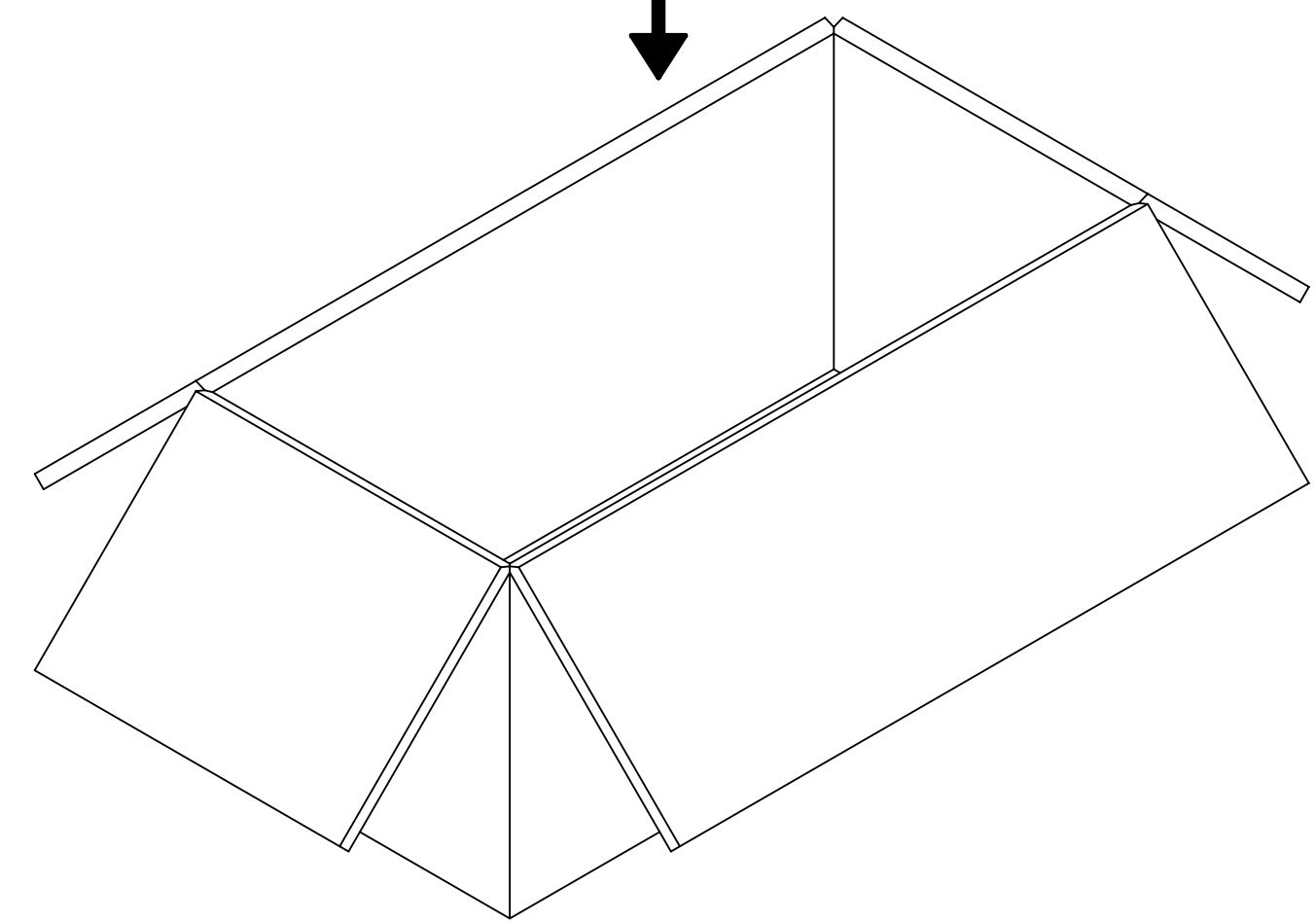
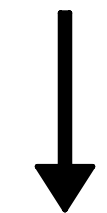
SHROUD WITH TPA x1  
 CRIMP TUBE x1  
 SMB SUB ASSY x1  
 CENTER CONTACT x1



1 SET PER BAG  
 BAG P/N: 89707-0317



50 SET PER BAG  
 BAG P/N: 89707-0174  
 6" x 12"



500 SET PER CARTON BOX  
 P/N: 96707-0002  
 367\*176\*188mm

FUNCTIONAL SYMBOLS $\frac{F}{A} = 0$ $\frac{F}{C} = 0$ $\frac{F}{P} = 0$	THIS DRAWING CONTAINS INFORMATION THAT IS PROPRIETARY TO MOLEX ELECTRONIC TECHNOLOGIES, LLC AND SHOULD NOT BE USED WITHOUT WRITTEN PERMISSION													
	DIMENSION UNITS	SCALE	CURRENT REV DESC: ADDED NOTE PER EWR # 15738-A											
	HYBRID	NTS												
	GENERAL TOLERANCES (UNLESS SPECIFIED)			EC NO: 744129								2023/03/23		
ANGULAR TOL $\pm 2.0^\circ$			DRWN: ELIN								2023/03/31			
4 PLACES $\pm$			CHK'D: YCHENG								2023/03/31			
3 PLACES $\pm$			APPR: YCHENG								2023/03/31			
2 PLACES $\pm$			INITIAL REVISION:								DOCUMENT NUMBER			
1 PLACE $\pm$			DRWN: ELIN								SD-73403-626			
0 PLACES $\pm$			APPR: MHUANG								PSD 001 A3			
DRAFT WHERE APPLICABLE MUST REMAIN WITHIN DIMENSIONS			THIRD ANGLE PROJECTION		DRAWING		SERIES		MATERIAL NUMBER		CUSTOMER		SHEET NUMBER	
					C-SIZE		73403		SEE TABLE		GENERAL MARKET		3 OF 3	