

# HFBR-53D3 and HFCT-53D3 Family

## 1 x 9 Fiber Optic Transceivers for Fibre Channel



## Data Sheet

**HFBR-53D3 Family, 850 nm VCSEL**  
**HFCT-53D3 Family, 1300 nm FP Laser**



### Description

The HFBR/HFCT-53D3 transceiver from Avago allows the system designer to implement a range of solutions for multimode and single mode Fibre Channel applications.

The overall Avago transceiver product consists of three sections: the transmitter and receiver optical subassemblies, an electrical subassembly, and the package housing which incorporates a duplex SC connector receptacle.

#### Transmitter Section

The transmitter section of the HFBR-53D3 consists of an 850 nm Vertical Cavity Surface Emitting Laser (VCSEL) in an optical subassembly (OSA), which mates to the fiber cable. The HFCT-53D3 incorporates a 1300 nm Fabry-Perot (FP) Laser designed to meet the Fibre Channel specification. The OSA is driven by a custom, silicon bipolar IC which converts differential PECL logic signals (ECL referenced to a +5 V supply) into an analog laser diode drive current.

#### Receiver Section

The receiver of the HFBR-53D3 includes a silicon PIN photodiode mounted together with a custom, silicon bipolar transimpedance preamplifier IC in an OSA. This OSA is mated to a custom silicon bipolar circuit that provides post-amplification and quantization. The HFCT-53D3 utilizes an InP PIN photodiode in the same configuration.

The post-amplifier also includes a Signal Detect circuit which provides a PECL logic-high output upon detection of a usable input optical signal level. This single-ended PECL output is designed to drive a standard PECL input through a 50  $\Omega$  PECL load.

### Related Products

- Physical Layer ICs Available for optical or Copper Interface (HDMP-1536A/46A)
- Versions of this Transceiver Module also available for Gigabit Ethernet (HFBR/HFCT-53D5 Family)
- Gigabit Interface Converters (GBIC) for Fibre Channel (CX, SX, LX)

### Features

- HFBR-53D3 is Compliant with ANSI X3.297-1996 Fibre Channel Physical Interface FC-PH-2 Revision 7.4 Proposed Specifications for 100-M5-SN-I and 100-M6-SN-I signal interfaces
- HFCT-53D3 is Compliant with ANSI 100-SM-LC-L Revision 2 enhancement to ANSI X3.297-1996 FC-PH-2 Revision 7.4
- Industry Standard Mezzanine Height 1 x 9 Package Style with Integral Duplex SC Connector
- Performance:  
HFBR-53D3:  
300 m over 62.5/125  $\mu\text{m}$  MMF  
500 m over 50/125  $\mu\text{m}$  MMF  
HFCT-53D3:  
500 m with 50/125  $\mu\text{m}$  MMF  
500 m with 62.5/125  $\mu\text{m}$  MMF  
10 km with 9/125  $\mu\text{m}$  SMF
- IEC 60825-1 Class 1/CDRH Class I Laser Eye Safe
- Single +5 V Power Supply Operation with PECL Logic Interfaces
- Wave Solderable and Aqueous Wash Process Compatible

### Applications:

- Mass Storage Systems I/O
- Computer Systems I/O
- High-speed Peripheral Interface
- High-speed Switching Systems
- Host Adapter I/O
- RAID Cabinets

## Package and Handling Instructions

### Flammability

The HFBR/HFCT-53D3 transceiver housing is made of high strength, heat resistant, chemically resistant, and UL 94V-0 flame retardant plastic.

### Recommended Solder and Wash Process

The HFBR/HFCT-53D3 is compatible with industry-standard wave or hand solder processes.

### Process plug

This transceiver is supplied with a process plug (HFBR-5000) for protection of the optical ports within the duplex SC connector receptacle. This process plug prevents contamination during wave solder and aqueous rinse as well as during handling, shipping and storage. It is made of a high-temperature, molded sealing material that can withstand +80°C and a rinse pressure of 110 lbs per square inch.

### Recommended Solder fluxes

Solder fluxes used with the HFBR/HFCT-53D3 should be water-soluble, organic fluxes. Recommended solder fluxes include Lonco 3355-11 from London Chemical West, Inc. of Burbank, CA, and 100 Flux from Alpha-Metals of Jersey City, NJ.

### Recommended Cleaning/Degreasing Chemicals

*Alcohols:* methyl, isopropyl, isobutyl.

*Aliphatics:* hexane, heptane.

*Other:* soap solution, naphtha.

*Do not use* partially halogenated hydrocarbons such as 1,1,1 trichloroethane, ketones such as MEK, acetone, chloroform, ethyl acetate, methylene dichloride, phenol, methylene chloride, or N-methylpyrrolidone. Also, Avago does not recommend the use of cleaners that use halogenated hydrocarbons because of their potential environmental harm.

## Regulatory Compliance

(See the Regulatory Compliance Table for transceiver performance). The overall equipment design will determine the certification level. The transceiver performance is offered as a figure of merit to assist the designer in considering their use in equipment designs.

### Electrostatic Discharge (ESD)

There are two design cases in which immunity to ESD damage is important.

The first case is during handling of the transceiver prior to mounting it on the circuit board. It is important to use normal ESD handling precautions for ESD sensitive devices. These precautions include using grounded wrist straps, work benches, and floor mats in ESD controlled areas. The transceiver performance has been shown to provide adequate performance in typical industry production environments.

The second case to consider is static discharges to the exterior of the equipment chassis containing the transceiver parts. To the extent that the duplex SC connector receptacle is exposed to the outside of the equipment chassis it may be subject to whatever system-level ESD test criteria that the equipment is intended to meet. The transceiver performance is more robust than typical industry equipment requirements of today.

### Electromagnetic Interference (EMI)

Most equipment designs utilizing these high-speed transceivers from Avago will be required to meet the requirements of FCC in the United States, CENELEC EN55022 (CISPR 22) in Europe and VCCI in Japan. Refer to EMI section (page 5) for more details.

### Immunity

Equipment utilizing these transceivers will be subject to radio-frequency electromagnetic fields in some environments. These transceivers have good immunity to such fields due to their shielded design.

### Eye Safety

These laser-based transceivers are classified as AEL Class I (U.S. 21 CFR(J) and AEL Class 1 per EN 60825-1 (+A11)). They are eye safe when used within the data sheet limits per CDRH. They are also eye safe under normal operating conditions and under all reasonably foreseeable single fault conditions per EN60825-1. Avago has tested the transceiver design for compliance with the requirements listed below under normal operating conditions and under single fault conditions where applicable. TÜV Rheinland has granted certification to these transceivers for laser eye safety and use in EN 60950 and EN 60825-2 applications. Their performance enables the transceivers to be used without concern for eye safety up to 7 V transmitter  $V_{CC}$ .

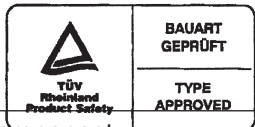
**CAUTION:**

There are no user serviceable parts nor any maintenance required for the HFBR/HFCT-53D3. All adjustments are made at the factory before shipment to our customers. Tampering with or modifying the performance of the HFBR/HFCT-53D3 will result in voided product warranty. It may also result in improper operation of the HFBR/HFCT-53D3 circuitry, and possible overstress of the laser source. Device degradation or product failure may result.

Connection of the HFBR/HFCT-53D3 to a nonapproved optical source, operating above the recommended absolute maximum conditions or operating the HFBR/HFCT-53D3 in a manner inconsistent with its design and function may result in hazardous radiation exposure and may be considered an act of modifying or manufacturing a laser product. The person(s) performing such an act is required by law to recertify and reidentify the laser product under the provisions of U.S. 21 CFR (Subchapter J).

**Regulatory Compliance**

Feature	Test Method	Performance
Electrostatic Discharge (ESD) to the Electrical Pins	MIL-STD-883C Method 3015.4	Class 1 (>2000 V).
Electrostatic Discharge (ESD) to the Duplex SC Receptacle	Variation of IEC 801-2	Typically withstand at least 15 kV without damage when the duplex SC connector receptacle is contacted by a Human Body Model probe.
Electromagnetic Interference (EMI)	FCC Class B CENELEC EN55022 Class B (CISPR 22A) VCCI Class I	Margins are dependent on customer board and chassis designs.
Immunity	Variation of IEC 801-3	Typically show no measurable effect from a 3 V/m field swept from 27 to 1000 MHz applied to the transceiver without a chassis enclosure.
Laser Eye Safety and Equipment Type Testing	US 21 CFR, Subchapter J per Paragraphs 1002.10 and 1002.12  EN 60825-1: 1994 +A11 EN 60825-2: 1994 EN 60950: 1992+A1+A2+A3	AEL Class I, FDA/CDRH HFBR-53D3 Accession #9720151-03 HFCT-53D3 Accession #9521220-16  AEL Class 1, TUV Rheinland of North America HFBR-53D3: Certificate #E9771047.09 Protection Class III HFCT-53D3 Certificate #933/510803
Component Recognition	Underwriters Laboratories and Canadian Standards Association Joint Component Recognition for Information Technology Equipment Including Electrical Business Equipment.	UL File #E173874



## **APPLICATION SUPPORT Optical Power Budget and Link Penalties**

The worst-case Optical Power Budget (OPB) in dB for a fiber-optic link is determined by the difference between the minimum transmitter output optical power (dBm avg.) and the lowest receiver sensitivity (dBm avg.). This OPB provides the necessary optical signal range to establish a working fiber-optic link. The OPB is allocated for the fiber-optic cable length and the corresponding link penalties. For proper link performance, all penalties that affect the link performance must be accounted for within the link optical power budget.

### **Data Line Interconnections**

Avago's HFBR/HFCT-53D3 fiber-optic transceiver is designed to directly couple to +5 V PECL signals. The transmitter inputs are internally dc-coupled to the laser driver circuit from the transmitter input pins (pins 7, 8). There is no internal, capacitively-coupled 50 Ohm termination resistance within the transmitter input section. The transmitter driver circuit for the laser light source is a dc-coupled circuit. This circuit regulates the output optical power. The regulated light output will maintain a constant output optical power provided the data pattern is reasonably balanced in duty factor. If the data duty factor has long, continuous state times (low or high data duty factor), then the output optical power will gradually change its average output optical power level to its preset value.

As for the receiver section, it is internally ac-coupled between the preamplifier and the post-amplifier stages. The actual Data and Data-bar outputs of the post-amplifier are dc-coupled to their respective output pins (pins 2, 3). Signal Detect is a single-ended, +5 V PECL output signal that is dc-coupled to pin 4 of the module. Signal Detect should not be ac-coupled externally to the follow-on circuits because of its infrequent state changes.

Caution should be taken to account for the proper interconnection between the supporting Physical Layer integrated circuits and this HFBR/HFCT-53D3 transceiver. Figure 3 illustrates a recommended interface circuit for interconnecting to a +5 V dc PECL fiber-optic transceiver.

Some fiber-optic transceiver suppliers' modules include internal capacitors, with or without 50 Ohm termination, to couple their Data and Data-bar lines to the I/O pins of their module. When designing to use these type of transceivers along with Avago transceivers, it is important that the interface circuit can accommodate either internal or external capacitive coupling with 50 Ohm termination components for proper operation of both transceiver designs. The internal dc-coupled design of the HFBR/HFCT-53D3 I/O connections was done to provide the designer with the most flexibility for interfacing to various types of circuits.

### **Eye Safety Circuit**

For an optical transmitter device to be eye-safe in the event of a single fault failure, the transmitter must either maintain normal, eye-safe operation or be disabled.

In the HFBR-53D3 there are three key elements to the laser driver safety circuitry: a monitor diode, a window detector circuit and direct control of the laser bias. The window detection circuit monitors the average optical power using the monitor diode. If a fault occurs such that the transmitter dc regulation circuit cannot maintain the preset bias conditions for the laser emitter within  $\pm 20\%$ , the transmitter will automatically be disabled. Once this has occurred, only an electrical power reset will allow an attempted turn-on of the transmitter.

The HFCT-53D3 utilizes an integral fiber stub along with a current limiting circuit to guarantee eye-safety. It is intrinsically eye safe and does not require shut down circuitry.

### **Signal Detect**

The Signal Detect circuit provides a deasserted output signal that implies the link is open or the transmitter is OFF. The Signal Detect threshold is set to transition from a high to low state between the minimum receiver input optional power and -30 dBm avg. input optical power indicating a definite optical fault (e.g. unplugged connector for the receiver or transmitter, broken fiber, or failed far-end transmitter or data source). A Signal Detect indicating a working link is functional when receiving encoded 8B/10B characters. The Signal Detect does not detect receiver data error or error-rate. Data errors are determined by Signal processing following the transceiver.

## Electromagnetic Interference (EMI)

One of a circuit board designer's foremost concerns is the control of electromagnetic emissions from electronic equipment. Success in controlling generated Electromagnetic Interference (EMI) enables the designer to pass a governmental agency's EMI regulatory standard; and more importantly, it reduces the possibility of interference to neighboring equipment. There are three options available for the HFBR-53D3 and two for the HFCT-53D3 with regard to EMI shielding which provide the designer with a means to achieve good EMI performance. The EMI performance of an enclosure using these transceivers is dependent on the chassis design. Avago encourages using standard RF suppression practices and avoiding poorly EMI-sealed enclosures.

The first configuration is a standard HFBR-53D3 fiber optic transceiver that has no external EMI shield. This unit is for applications where EMI is either not an issue for the designer, the unit resides completely inside a shielded enclosure, or the module is used in a low density, extremely quiet application. The HFCT-53D3 is not available for use without an external shield.

The second configuration, option EM, is for EMI shielding applications where the position of the transceiver module will extend outside the equipment enclosure. The metallized plastic package and integral external metal shield of the transceiver helps locally to terminate EM fields to the chassis to prevent their emissions outside the enclosure. This metal shield contacts the panel or enclosure on the inside of the aperture on all but the bottom side of the shield and provides a good RF connection to the panel. This option can accommodate various panel or enclosure thickness, i.e., .04 in. min. to 0.10 in. max. The reference plane for this panel thickness variation is from the front surface of the panel or enclosure. The recommended length for protruding the HFBR/HFCT-53D3 EM transceiver beyond the front surface of the panel or enclosure is 0.25 in. With this option, there is flexibility of positioning the module to fit the specific need of the enclosure design. (See Figure 6 for the mechanical drawing dimensions of this shield.)

The third configuration, option FM, is for applications that are designed to have a flush mounting of the module with respect to the front of the panel or enclosure. The flush-mount design accommodates a large variety of panel thickness, i.e., 0.04 in. min. to 0.10 in. max. Note the reference plane for the flush-mount design is the interior side of the panel or enclosure. The recommended distance from the centerline of the transceiver front solder posts to the inside wall of the panel is 0.55 in. This option contacts the inside panel or enclosure wall on all four sides of this metal shield. See Figure 8 for the mechanical drawing dimensions of this shield.

The two metallized designs are comparable in their shielding effectiveness. Both design options connect only to the equipment chassis and not to the signal or logic ground of the circuit board within the equipment closure. The front panel aperture dimensions are recommended in Figures 7 and 9. When layout of the printed circuit board is done to incorporate these metal-shielded transceivers, keep the area on the printed circuit board directly under the metal shield free of any components and circuit board traces. For additional EMI performance advantage, use duplex SC fiber-optic connectors that have low metal content inside them. This lowers the ability of the metal fiber-optic connectors to couple EMI out through the aperture of the panel or enclosure.

## Absolute Maximum Ratings

Stresses in excess of the absolute maximum ratings can cause catastrophic damage to the device. Limits apply to each parameter in isolation, all other parameters having values within the recommended operating conditions. It should not be assumed that limiting values of more than one parameter can be applied to the product at the same time. Exposure to the absolute maximum ratings for extended periods can adversely affect device reliability.

Parameter	Symbol	Min.	Typ.	Max.	Unit	Reference
Storage Temperature	$T_S$	-40		+100	°C	
Supply Voltage	$V_{CC}$	-0.5		7.0	V	1
Data Input Voltage	$V_I$	-0.5		$V_{CC}$	V	
Transmitter Differential Input Voltage	$V_D$			1.6	V	2
Output Current	$I_D$			50	mA	
Relative Humidity	RH	5		95	%	

## Recommended Operating Conditions

Parameter	Symbol	Min.	Typ.	Max.	Unit	Reference
Ambient Operating Temperature	$T_A$	0		+70	°C	3
Case Temperature	$T_C$			+90	°C	4
Supply Voltage	$V_{CC}$	4.75		5.25	V	
Power Supply Rejection	PSR		50		mV <sub>p-p</sub>	5
Transmitter Data Input Voltage - Low	$V_{IL}-V_{CC}$	-1.810		-1.475	V	6
Transmitter Data Input Voltage - High	$V_{IH}-V_{CC}$	-1.165		-0.880	V	6
Transmitter Differential Input Voltage	$V_D$	0.3		1.6	V	
Data Output Load	$R_{DL}$	50			$\Omega$	7
Signal Detect Output Load	$R_{SDL}$	50			$\Omega$	7

## Process Compatibility

Parameter	Symbol	Min.	Typ.	Max.	Unit	Reference
Hand Lead Soldering Temperature/Time	$T_{SOLD}/t_{SOLD}$			+260/10	°C/sec.	
Wave Soldering and Aqueous Wash	$T_{SOLD}/t_{SOLD}$			+260/10	°C/sec.	8

### Notes:

1. The transceiver is class 1 eye safe up to  $V_{CC} = 7V$ .
2. This is the maximum voltage that can be applied across the Differential Transmitter Data Inputs without damaging the input circuit.
3. 2 m/s air flow required.
4. Case temperature measurement referenced to the center-top of the internal metal transmitter shield.
5. Tested with a 50 mV<sub>p-p</sub> sinusoidal signal in the frequency range from 500 Hz to 1500 kHz on the  $V_{CC}$  supply with the recommended power supply filter in place. Typically less than a 0.25 dB change in sensitivity is experienced.
6. Compatible with 10 K, 10 KH, and 100 K ECL and PECL input signals.
7. The outputs are terminated to  $V_{CC} - 2V$ .
8. Aqueous wash pressure <110 psi.



## HFBR-53D3 Family, 850 nm VCSEL

### Transmitter Electrical Characteristics

(TA = 0°C to +70°C, V<sub>CC</sub> = 4.75 V to 5.25 V)

Parameter	Symbol	Min.	Typ.	Max.	Unit	Reference
Supply Current	I <sub>CC</sub> T		85	120	mA	
Power Dissipation	P <sub>DIS</sub> T		0.45	0.63	W	
Data Input Current - Low	I <sub>IL</sub>	-350	0		μA	
Data Input Current - High	I <sub>IH</sub>		16	350	μA	
Laser Reset Voltage	V <sub>CC</sub> T-reset		2.7	2.5	V	1

### Receiver Electrical Characteristics

(TA = 0°C to +70°C, V<sub>CC</sub> = 4.75 V to 5.25 V)

Parameter	Symbol	Min.	Typ.	Max.	Unit	Reference
Supply Current	I <sub>CC</sub> R		105	130	mA	2
Power Dissipation	P <sub>DIS</sub> R		0.53	0.68	W	2
Data Output Voltage - Low	V <sub>OL</sub> - V <sub>CC</sub>	-1.950		-1.620	V	3
Data Output Voltage - High	V <sub>OH</sub> - V <sub>CC</sub>	-1.045		-0.740	V	3
Data Output Rise Time	t <sub>r</sub>			0.40	ns	4
Data Output Fall Time	t <sub>f</sub>			0.40	ns	4
Signal Detect Output Voltage - Low	V <sub>OL</sub> - V <sub>CC</sub>	-1.950		-1.620	V	3
Signal Detect Output Voltage - High	V <sub>OH</sub> - V <sub>CC</sub>	-1.045		-0.740	V	3

#### Notes:

1. The Laser Reset Voltage is the voltage level below which the V<sub>CC</sub>T voltage must be lowered to cause the laser driver circuit to reset from an electrical/optical shutdown condition to a proper electrical/optical operating condition. The maximum value corresponds to the worst-case highest V<sub>CC</sub> voltage necessary to cause a reset condition to occur. The laser safety shutdown circuit will operate properly with transmitter V<sub>CC</sub> levels of 3.5 V dc ≤ V<sub>CC</sub> ≤ 7.0 V dc.
2. Receiver Supply Current and Power Dissipation do not include current and power in external 270 ohm terminating resistors.
3. These outputs are compatible with 10 K, 10 KH, and 100 K ECL and PECL inputs.
4. These are 20-80% values.

## HFBR-53D3 Family, 850 nm VCSEL

### Transmitter Optical Characteristics

(TA = 0°C to +70°C, V<sub>CC</sub> = 4.75 V to 5.25 V)

Parameter	Symbol	Min.	Typ.	Max.	Unit	Reference
Output Optical Power 50/125 μm, NA = 0.20 Fiber	P <sub>OUT</sub>	-10		-4	dBm avg.	
Output Optical Power 62.5/125 μm, NA = 0.275 Fiber	P <sub>OUT</sub>	-10		-4	dBm avg.	
Optical Extinction Ratio		9			dB	1
Center Wavelength	λ <sub>C</sub>	830	850	860	nm	
Spectral Width - rms	σ			0.85	nm rms	
Optical Rise/Fall Time	t <sub>r</sub> /t <sub>f</sub>			0.45	ns	2, 3 Figure 1
RIN <sub>12</sub>				-116	dB/Hz	
Deterministic Transmitter Jitter				188	ps	

See notes on following page.

## Receiver Optical Characteristics

(TA = 0°C to +70°C, V<sub>CC</sub> = 4.75 V to 5.25 V)

Parameter	Symbol	Min.	Typ.	Max.	Unit	Reference
Input Optical Power	P <sub>IN</sub>	-16		0	dBm avg.	4
Operating Center Wavelength	λ <sub>C</sub>	770		860	nm	
Return Loss		12			dB	5
Signal Detect – Asserted	P <sub>A</sub>			-18	dBm avg.	
Signal Detect – Deasserted	P <sub>D</sub>	-30			dBm avg.	
Signal Detect – Hysteresis	P <sub>A</sub> - P <sub>D</sub>	1.5			dB	

### Notes:

- Optical Extinction Ratio is defined as the ratio of the average output optical power of the transmitter in the high (“1”) state to the low (“0”) state. This Optical Extinction Ratio is expressed in decibels (dB) by the relationship  $10\log(P_{\text{high avg}}/P_{\text{low avg}})$ .
- These are 20-80% values and include the effect of a fourth order filter.
- Laser transmitter pulse response characteristics are specified by an eye diagram (Figure 1). The characteristics include rise time, fall time, pulse overshoot, pulse undershoot, and ringing, all of which are controlled to prevent excessive degradation of the receiver sensitivity.
- The receive sensitivity is measured using a worst case extinction ratio penalty while sampling at the center of the eye.
- Return loss is defined as the minimum attenuation (dB) of received optical power for energy reflected back into the optical fiber.

## HFCT-53D3 Family, 1300 nm FP/Laser Transmitter Electrical Characteristics

(TA = 0°C to +70°C, V<sub>CC</sub> = 4.75 V to 5.25 V)

Parameter	Symbol	Min.	Typ.	Max.	Unit	Reference
Supply Current	I <sub>CCT</sub>		65	130	mA	
Power Dissipation	P <sub>DIST</sub>		0.35	0.68	W	
Data Input Current - Low	I <sub>IL</sub>	-350	0		μA	
Data Input Current - High	I <sub>IH</sub>		16	350	μA	

## Receiver Electrical Characteristics

(TA = 0°C to +70°C, V<sub>CC</sub> = 4.75 V to 5.25 V)

Parameter	Symbol	Min.	Typ.	Max.	Unit	Reference
Supply Current	I <sub>CCR</sub>		120	140	mA	1
Power Dissipation	P <sub>DISR</sub>		0.53	0.74	W	1
Data Output Voltage - Low	V <sub>OL</sub> - V <sub>CC</sub>	-1.950		-1.620	V	2
Data Output Voltage - High	V <sub>OH</sub> - V <sub>CC</sub>	-1.045		-0.740	V	2
Data Output Rise Time	t <sub>r</sub>			0.40	ns	3
Data Output Fall Time	t <sub>f</sub>			0.40	ns	3
Signal Detect Output Voltage - Low	V <sub>OL</sub> - V <sub>CC</sub>	-1.950		-1.620	V	2
Signal Detect Output Voltage - High	V <sub>OH</sub> - V <sub>CC</sub>	-1.045		-0.740	V	2

### Notes:

- Receiver Supply Current and Power Dissipation do not include current and power in external 270 ohm terminating resistors.
- These outputs are compatible with 10 K, 10 KH, and 100 K ECL and PECL inputs.
- These are 20-80% values.



## HFCT-53D3 Family, 1300 nm FP-Laser

### Transmitter Optical Characteristics

(TA = 0°C to +70°C, V<sub>CC</sub> = 4.75 V to 5.25 V)

Parameter	Symbol	Min.	Typ.	Max.	Unit	Reference
Output Optical Power	P <sub>OUT</sub>					
9 mm SMF		-9.5		-3	dBm	1
62.5 mm MMF		-11.5		-3	dBm	1
50 mm MMF		-11.5		-3	dBm	
Optical Extinction Ratio		9			dB	2
Center Wavelength	$\lambda_C$	1285		1343	nm	
Spectral Width - rms	$\sigma$			2.8	nm rms	
Optical Rise/Fall Time	$t_r/t_f$			0.32	ns	3, 4 Figure 1
RIN <sub>12</sub>				-116	dB/Hz	
Deterministic Transmitter Jitter				188	ps	

### Receiver Optical Characteristics

(TA = 0°C to +70°C, V<sub>CC</sub> = 4.75 V to 5.25 V)

Parameter	Symbol	Min.	Typ.	Max.	Unit	Reference
Input Optical Power	P <sub>IN</sub>	-20		-3	dBm avg.	5
Operating Center Wavelength	$\lambda_C$	1270		1355	nm	
Return Loss		12			dB	6
Signal Detect – Asserted	P <sub>A</sub>			-20	dBm avg.	
Signal Detect – Deasserted	P <sub>D</sub>	-30			dBm avg.	
Signal Detect – Hysteresis	P <sub>A</sub> - P <sub>D</sub>	1.5			dB	

#### Notes:

- Specifications for 1300 nm transceivers with multimode fiber are modeled after IEEE.802.3z standard for Gigabit Ethernet.
- Optical Extinction Ratio is defined as the ratio of the average output optical power of the transmitter in the high ("1") state to the low ("0") state. This Optical Extinction Ratio is expressed in decibels (dB) by the relationship  $10\log(P_{\text{high avg}}/P_{\text{low avg}})$ .
- These are 20-80% values and are corrected to remove the effects of the fourth order filter used during measurement.
- Laser transmitter pulse response characteristics are specified by an eye diagram (Figure 1). The characteristics include rise time, fall time, pulse overshoot, pulse undershoot, and ringing, all of which are controlled to prevent excessive degradation of the receiver sensitivity.
- The receive sensitivity is measured using a worst case extinction ratio penalty while sampling at the center of the eye.
- Return loss is defined as the minimum attenuation (dB) of received optical power for energy reflected back into the optical fiber.

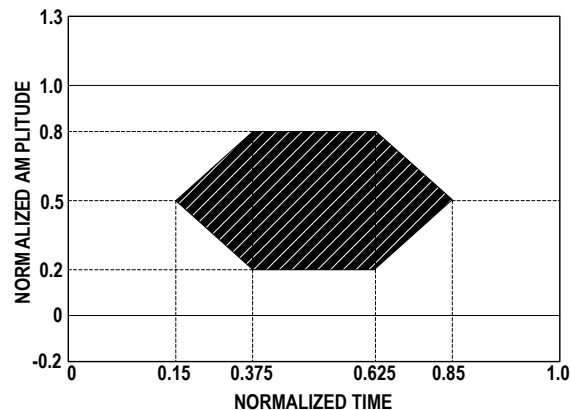
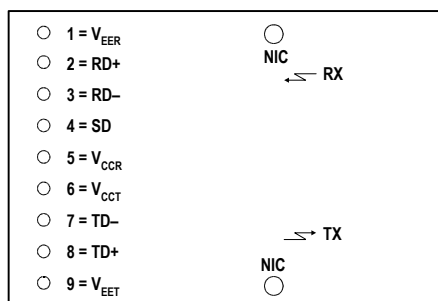


Figure 1. Transmitter Optical Eye Diagram Mask

**Table 1. Pinout Table**

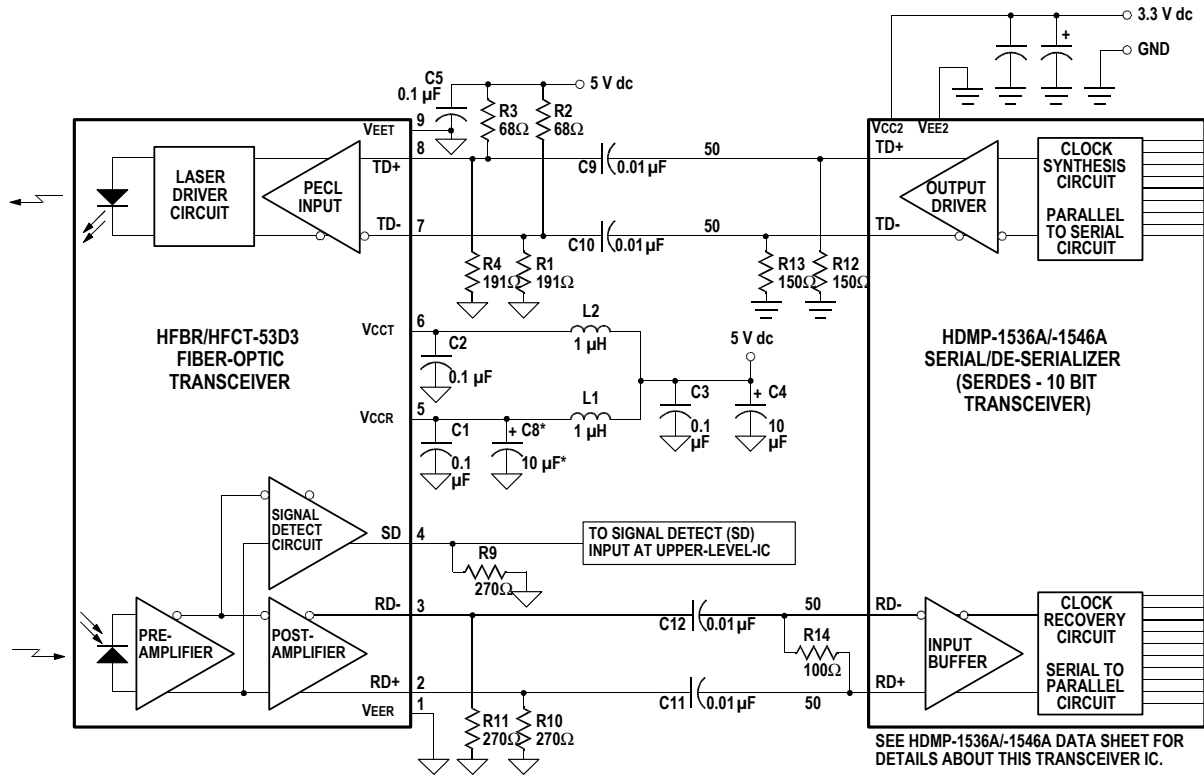
Pin	Symbol	Functional Description
Mounting Pins		The mounting pins are provided for transceiver mechanical attachment to the circuit board. They are embedded in the nonconductive plastic housing and are not connected to the transceiver internal circuit, nor is there a guaranteed connection to the metallized housing in the EM and FM versions. They should be soldered into plated-through hole on the printed circuit board.
1	$V_{EER}$	Receiver Signal Ground Directly connect this pin to receiver signal ground plane. (For HFBR-53D3, $V_{EER} = V_{EET}$ )
2	RD+	Receiver Data Out RD+ is an open-emitter output circuit. Terminate this high-speed differential PECL output with standard PECL techniques at the follow-on device input pin.
3	RD-	Receiver Data Out Bar RD- is an open-emitter output circuit. Terminate this high-speed differential PECL output with standard PECL techniques at the follow-on device input pin.
4	SD	Signal Detect Normal optical input levels to the receiver result in a logic "1" output, $V_{OH}$ , asserted. Low input optical levels to the receiver result in a fault condition indicated by a logic "0" output $V_{OL}$ , deasserted. Signal Detect is a single-ended PECL output. SD can be terminated with standard PECL techniques via $50\ \Omega$ to $V_{CCR} - 2\ V$ . Alternatively, SD can be loaded with a $270\ \Omega$ resistor to $V_{EER}$ to conserve electrical power with small compromise to signal quality. If Signal Detect output is not used, leave it open-circuited. This Signal Detect output can be used to drive a PECL input on an upstream circuit, such as, Signal Detect input or Loss of Signal-bar.
5	$V_{CCR}$	Receiver Power Supply Provide +5 V dc via the recommended receiver power supply filter circuit. Locate the power supply filter circuit as close as possible to the $V_{CCR}$ pin.
6	$V_{CCT}$	Transmitter Power Supply Provide +5 Vdc via the recommended transmitter power supply filter circuit. Locate the power supply filter circuit as close as possible to the $V_{CCT}$ pin.
7	TD-	Transmitter Data In-Bar Terminate this high-speed differential PECL input with standard PECL techniques at the transmitter input pin.
8	TD+	Transmitter Data In Terminate this high-speed differential PECL input with standard PECL techniques at the transmitter input pin.
9	$V_{EET}$	Transmitter Signal Ground Directly connect this pin to the transmitter signal ground plane.



TOP VIEW

NIC = NO INTERNAL CONNECTION (MOUNTING PINS)

**Figure 2. Pin-Out**



NOTES:  
 \*C8 IS AN OPTIONAL BYPASS CAPACITOR FOR ADDITIONAL LOW-FREQUENCY NOISE FILTERING.  
 USE SURFACE-MOUNT COMPONENTS FOR OPTIMUM HIGH-FREQUENCY PERFORMANCE.  
 USE 50 Ω MICROSTRIP OR STRIPLINE FOR SIGNAL PATHS.  
 LOCATE 50 Ω TERMINATIONS AT THE INPUTS OF RECEIVING UNITS.

SEE HDMP-1536A/-1546A DATA SHEET FOR DETAILS ABOUT THIS TRANSCEIVER IC.

Figure 3. Recommended Gigabit/sec Ethernet HFBR/HFCT-53D3 Fiber-Optic Transceiver and HDMP-1536A/1546A SERDES Integrated Circuit Transceiver Interface and Power Supply Filter Circuits.

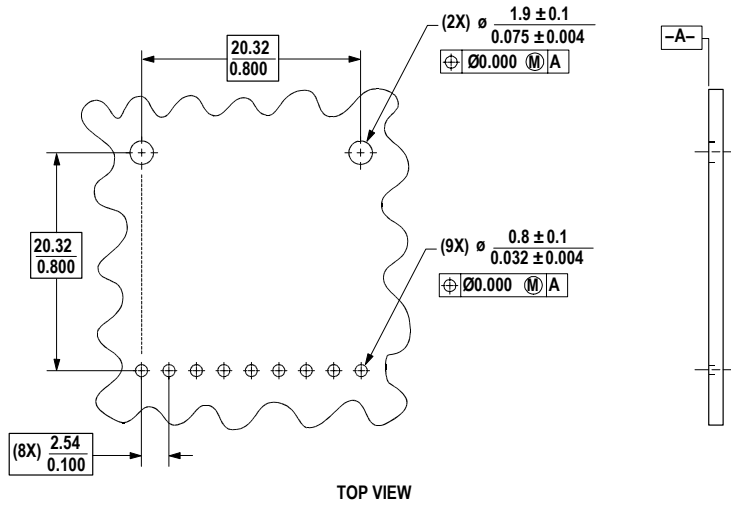
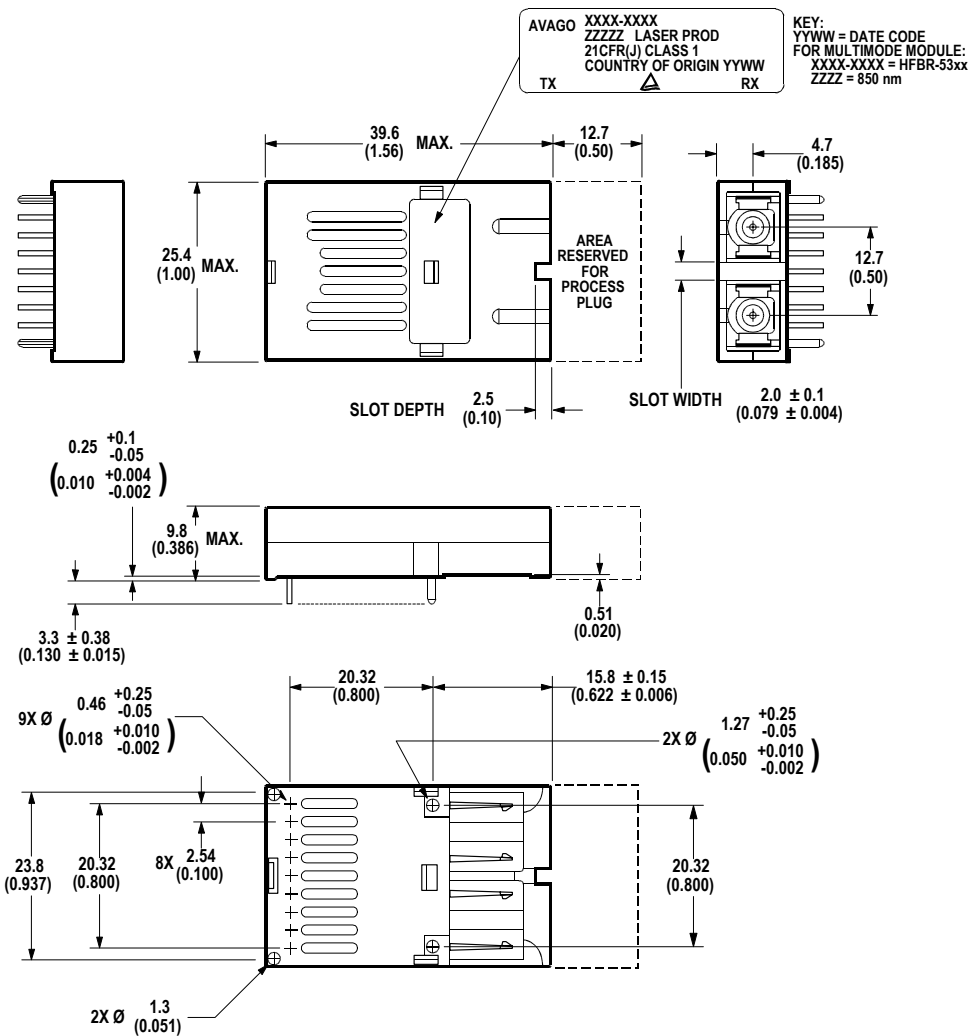


Figure 4. Recommended Board Layout Hole Pattern.



DIMENSIONS ARE IN MILLIMETERS (INCHES).  
ALL DIMENSIONS ARE  $\pm 0.025$  mm UNLESS OTHERWISE SPECIFIED.

Figure 5. Package Outline Drawing for HFBR/HFCT-53D3.

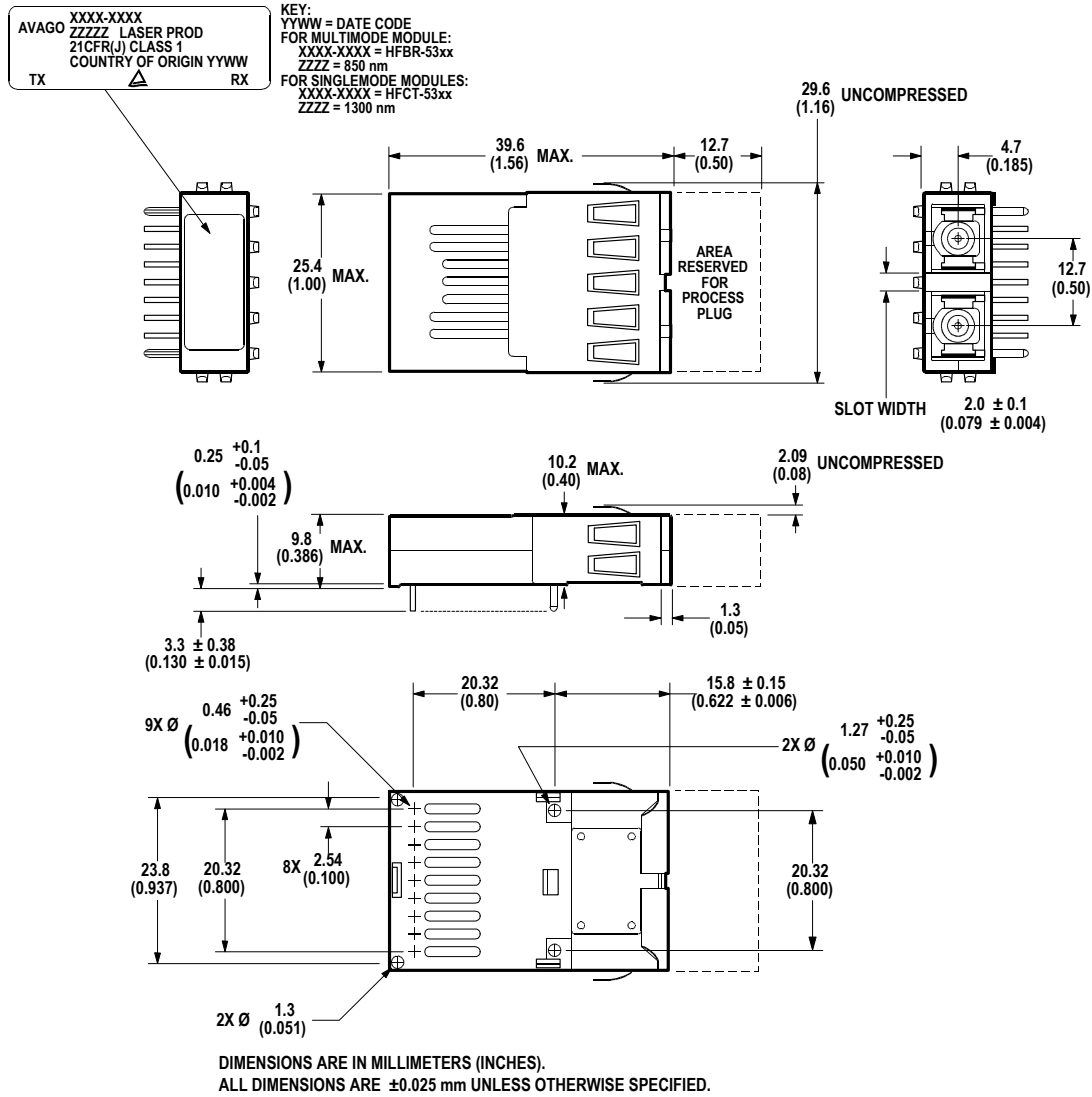


Figure 6. Package Outline for HFBR/HFCT-53D3EM.

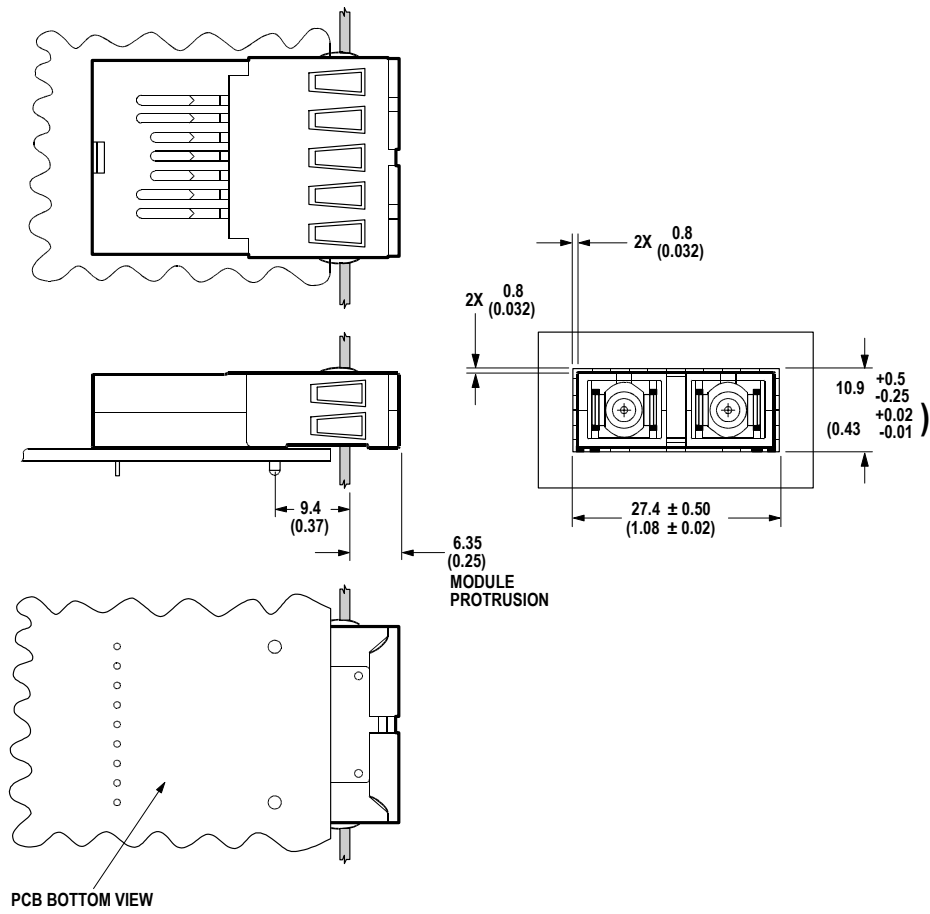

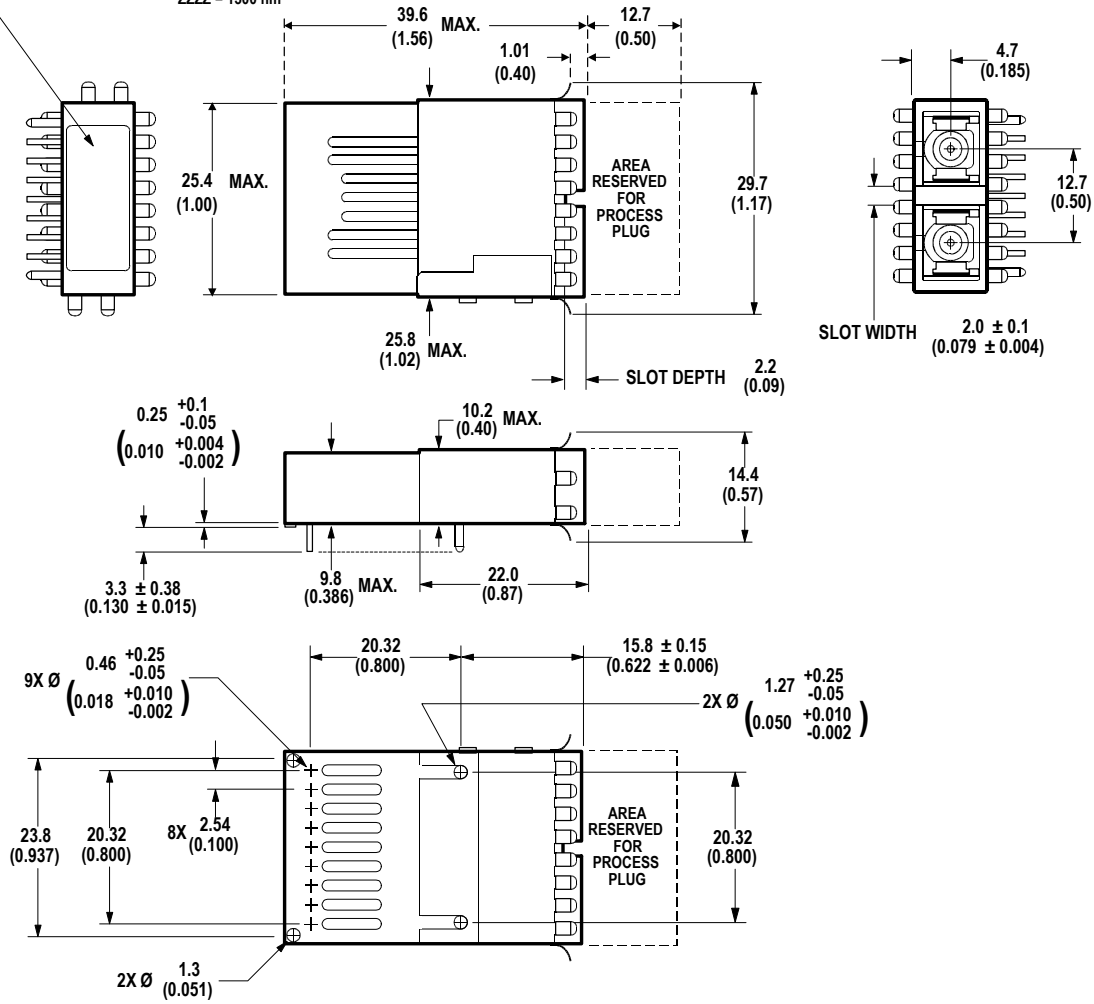


Figure 7. Suggested Module Positioning and Panel Cut-out for HFBR/HFCT-53D3EM.

AVAGO XXXX-XXXX  
 ZZZZ LASER PROD  
 21CFR(J) CLASS 1  
 COUNTRY OF ORIGIN YYWW  
 TX  RX

KEY:  
 YYWW = DATE CODE  
 FOR MULTIMODE MODULE:  
 XXXX-XXXX = HFBR-5208  
 ZZZZ = 1300 nm  
 FOR SINGLEMODE MODULES:  
 XXXX-XXXX = HFCT-5208  
 ZZZZ = 1300 nm



DIMENSIONS ARE IN MILLIMETERS (INCHES).  
 ALL DIMENSIONS ARE ± 0.025 mm UNLESS OTHERWISE SPECIFIED.

Figure 8. Package Outline for HFBR/HFCT-53D3FM.



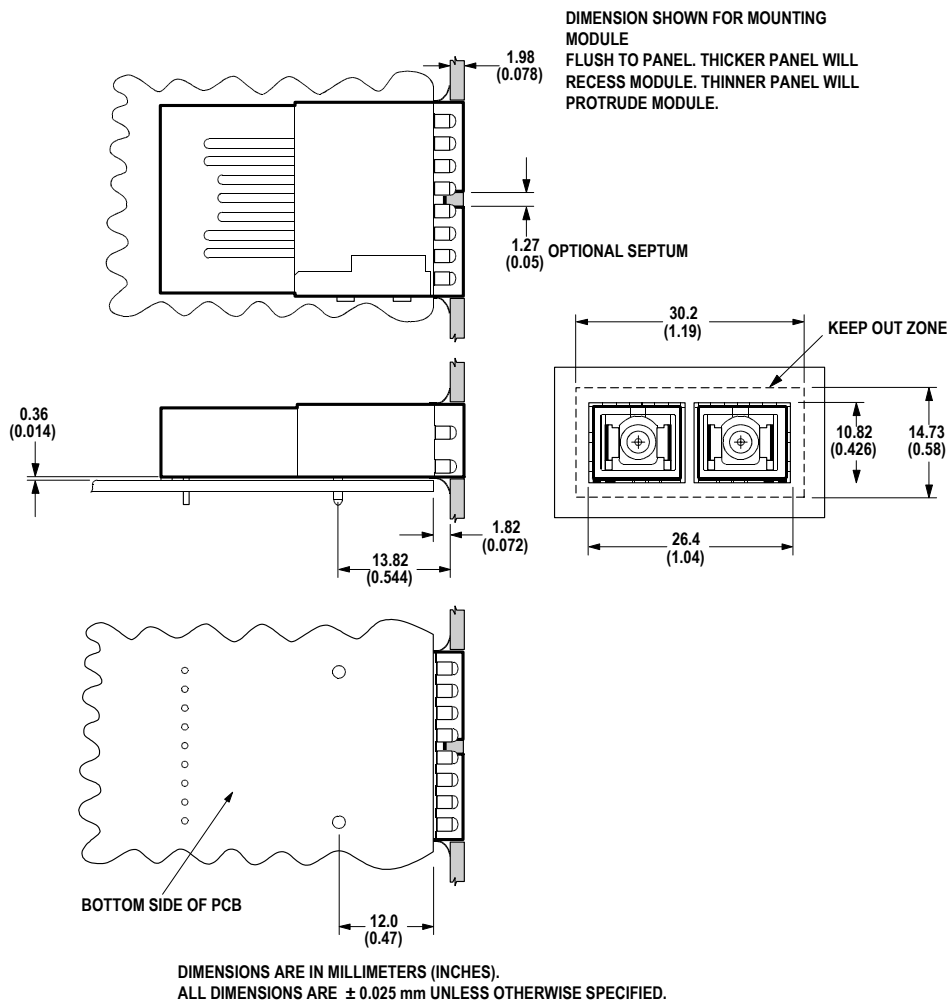


Figure 9. Suggested Module Positioning and Panel Cut-out for HFBR/HFCT-53D3FM.

## Ordering Information

### 850 nm VCSEL (Short Wavelength Laser)

HFBR-53D3 No shield, plastic housing.

HFBR-53D3EM Extended/protruding shield, metallized housing.

HFBR-53D3FM Flush shield, metallized housing.

### 1300 nm FP Laser (Long Wavelength Laser)

HFCT-53D3EM Extended/protruding shield, metallized housing.

HFCT-53D3FM Flush shield, metallized housing.

For product information and a complete list of distributors, please go to our web site: [www.avagotech.com](http://www.avagotech.com)

Avago, Avago Technologies, and the A logo are trademarks of Avago Technologies, Limited in the United States and other countries. Data subject to change. Copyright © 2007 Avago Technologies Limited. All rights reserved.  
AV02-xxxxEN - April 12, 2007

**AVAGO**  
TECHNOLOGIES