

NOTES:

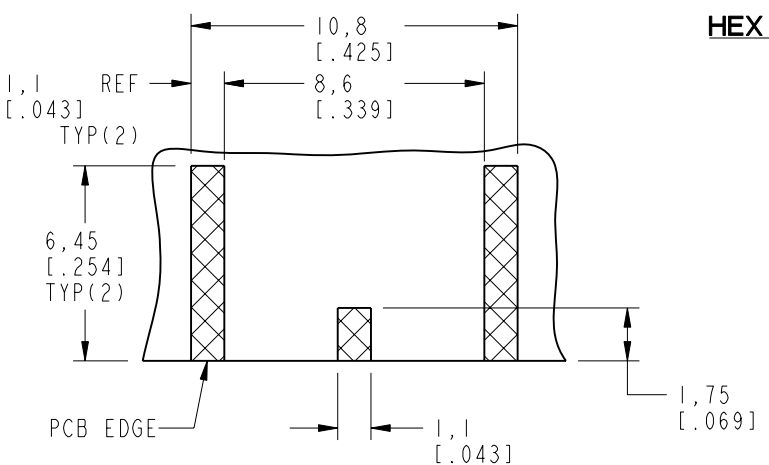
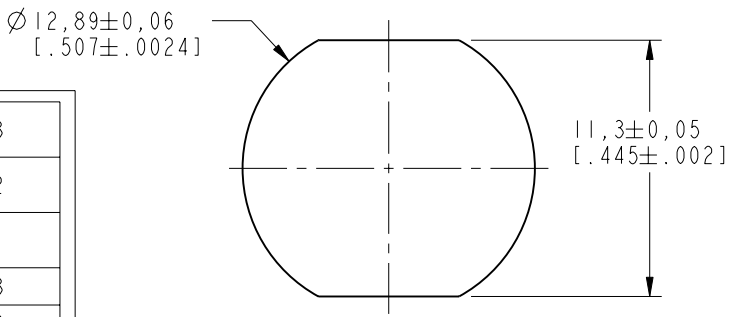
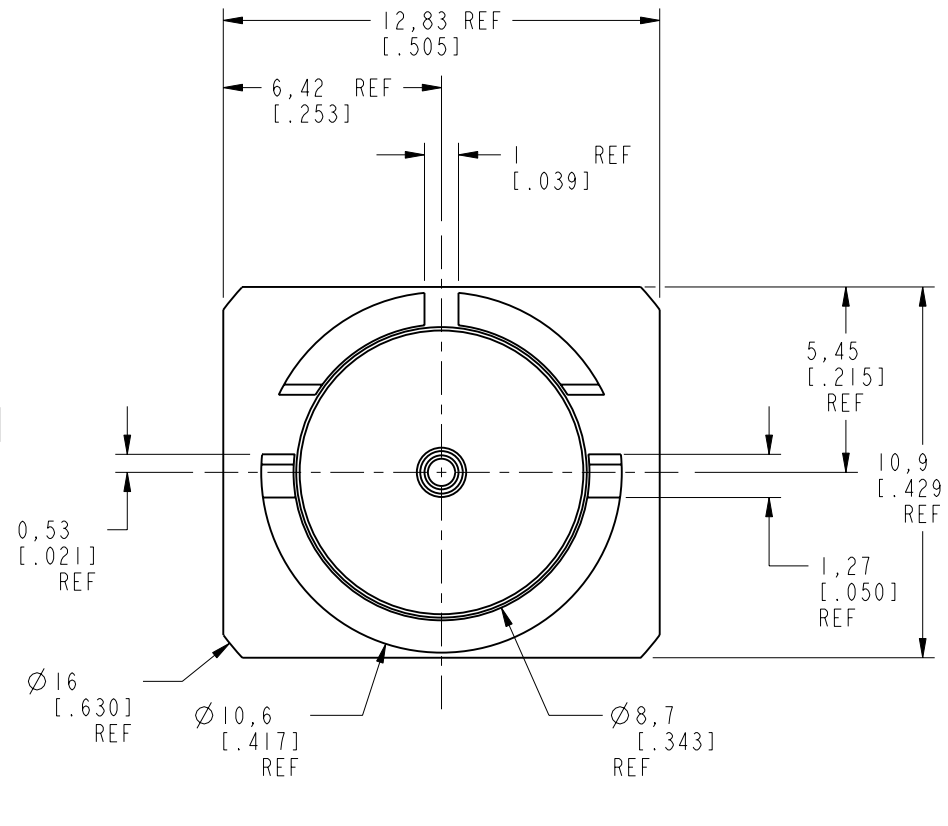
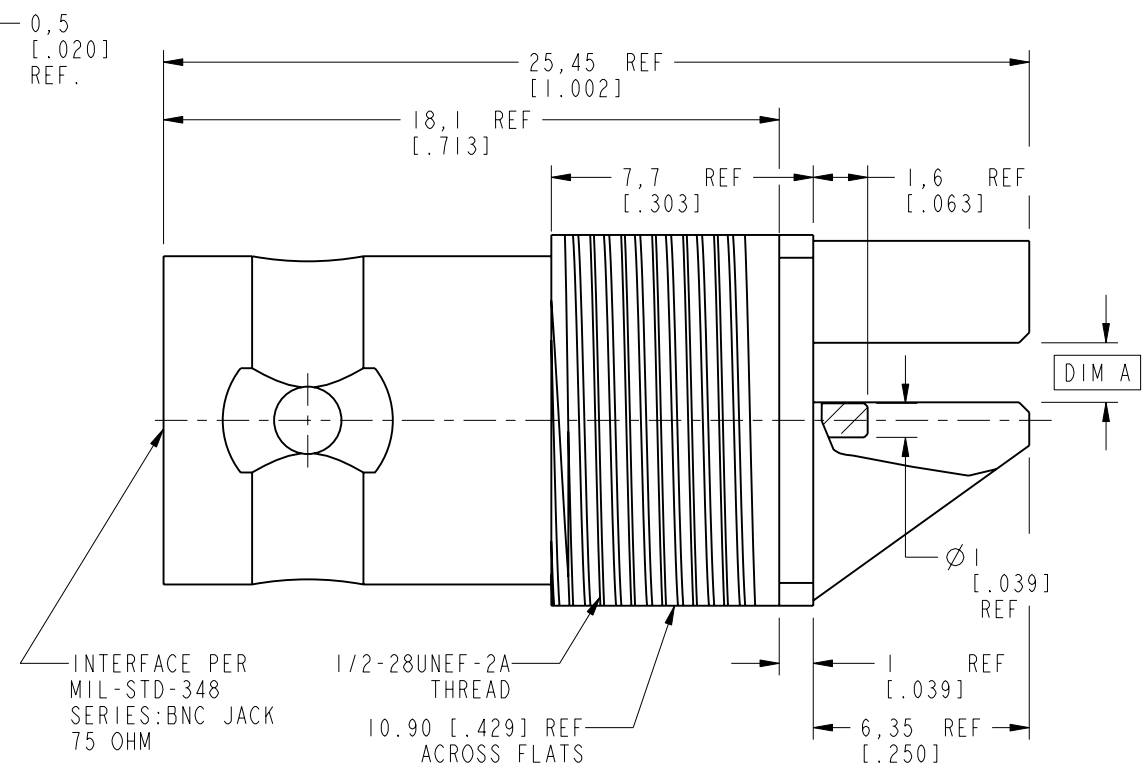
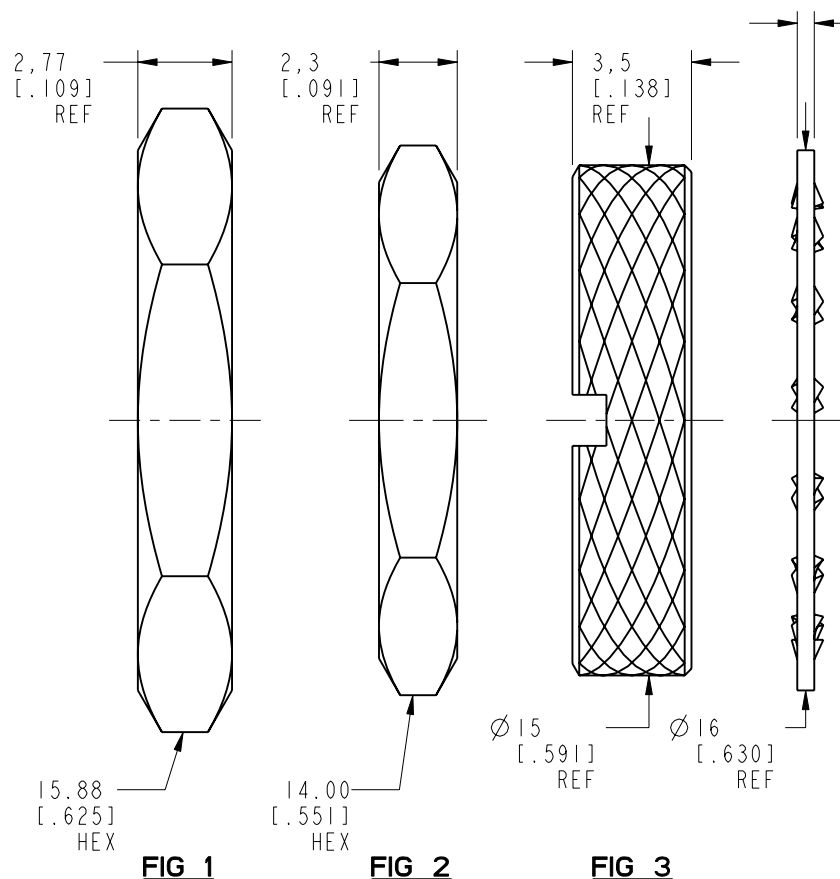
1. MATERIALS AND FINISHES:
 BODY, SPANNER NUT & HEX NUTS - BRASS, NICKEL PLATING
 CONTACT - BeCu, GOLD PLATING
 INSULATOR - PTFE, NATURAL
 LOCK WASHER - PHOSPHOR BRONZE, NICKEL PLATING
2. ELECTRICAL:
 A. IMPEDANCE: 75 OHM
 B. FREQUENCY RANGE: DC - 12 GHz
 C. VSWR : 20 dB MIN @ DC - 12 GHz
 D. DIELECTRIC WITHSTANDING VOLTAGE: 750 VRMS, MIN.

3. MECHANICAL:
 A. DURABILITY: 500 CYCLES MIN.
 B. TEMPERATURE RANGE: -65°C TO +165°C
4. PACKAGING:
 A. QUANTITY: SINGLE PACK
 B. MARKING: BAG TO BE MARKED
 "AMPHENOL RF, 31-70526-XX, AND DATE CODE"
5. BNC RECEPTACLE SHIPS WITH ONLY ONE KIND OF THREADED NUT, SEE TABLE FOR DETAIL.

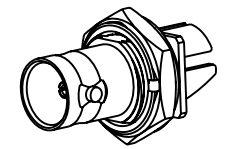
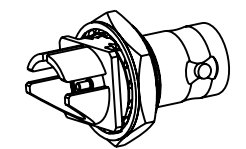
THIRD ANGLE PROJ.

REVISIONS

REV	DESCRIPTION	DATE	ECO	APPR
A	RELEASE TO MFG.	10-Jun-16	00921	SS
B	REPLACED FIG. 2 HEX NUT\N/A	29-Jun-16	01223	SH



HEX NUT & LOCK WASHER NOT SHOWN



SCALE 1.000

SCALE 1.000

31-70526-23	2.13 [0.084]	2.21 ^{+0.08} ₋₀ [0.087 ^{+0.003} ₋₀]	FIG 3
31-70526-22	2.13 [0.084]	2.21 ^{+0.08} ₋₀ [0.087 ^{+0.003} ₋₀]	FIG 2
31-70526-21	2.13 [0.084]	2.21 ^{+0.08} ₋₀ [0.087 ^{+0.003} ₋₀]	FIG 1
31-70526-13	1.57 [0.062]	1.75±0.05 [0.069±0.002]	FIG 3
31-70526-12	1.57 [0.062]	1.75±0.05 [0.069±0.002]	FIG 2
31-70526-11	1.57 [0.062]	1.75±0.05 [0.069±0.002]	FIG 1
DN/PN	RECOMMENDED PCB THICKNESS	DIM A	INCLUDED NUT

CUSTOMER OUTLINE DRAWING

ALL OTHER SHEETS ARE FOR INTERNAL USE ONLY

UNLESS OTHERWISE SPECIFIED, DIMENSIONS ARE IN METRIC AND TOLERANCES ARE:
 <0.5mm ±0.05mm 0.5 - 6mm ±0.1mm 6 - 30mm ±0.2mm 30 - 120mm ±0.3mm ANGLES ±1°

NOTICE - These drawings, specifications, or other data (1) are, and remain the property of Amphenol corp. (2) must be returned upon request; and (3) are confidential and not to be disclosed to any person other than those to whom they are given by Amphenol Corp. the furnishing of these drawings, specifications, or other data by Amphenol Corp., or to any other person to anyone for any purpose is not to be regarded by implication or otherwise in any manner licensing, granting rights to permitting such holder or any other person to manufacture, use or sell any product, process or design, patented or otherwise, that may in any way be related to or disclosed by said drawings, specifications, or other data.

MATERIAL SEE NOTES	DRAWN M. ZHANG	DATE 29-Jun-16	TITLE 75 OHM BNC STR JACK EDGE MOUNT RECEPTACLE	Amphenol RF www.amphenolrf.com DRAWING NO. 31-70526-XX ITEM NO. 31-70526-XX PART NO. 31-70526-XX
REFERENCE EAR # 6976	ENGINEER S. DUAN	DATE 10-Jun-16	SCALE: 4.5:1.0 SHEET 2 OF 2	
CONFIGURATION LEVEL: In Work	APPROVED K. CAPOZZI	DATE 29-Jun-16	DWG SIZE B	
FINISH	CAD FILE		REV B	