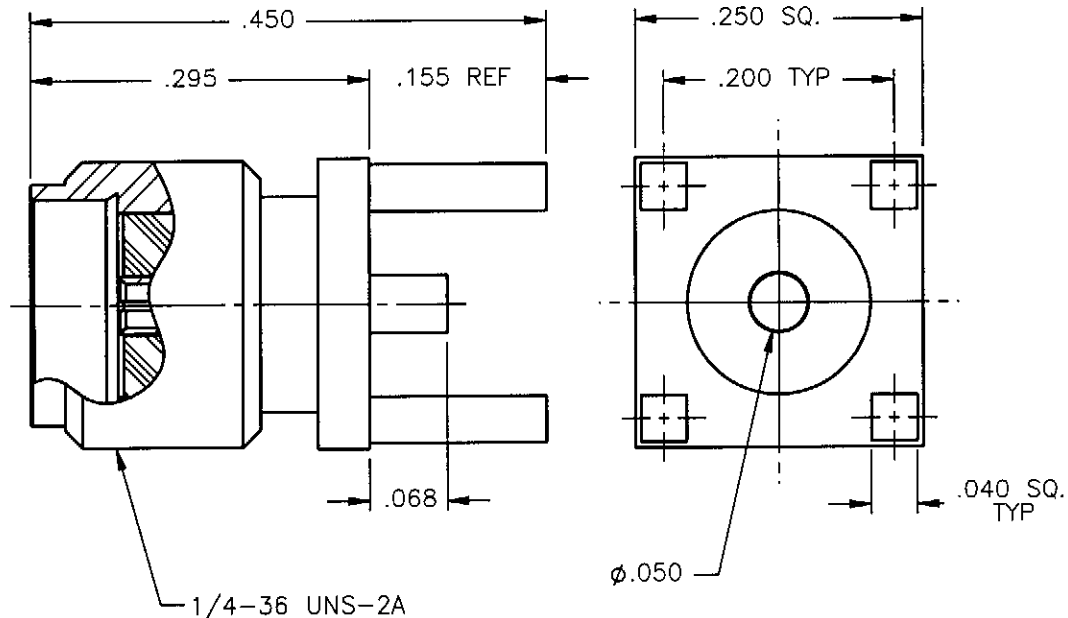


PROPRIETARY INFORMATION
 NOT TO BE RELEASED
 WITHOUT WRITTEN PERMISSION
 FROM AN AUTHORIZED
 REPRESENTATIVE OF
 APPLIED ENGINEERING PRODUCTS

REVISIONS			
REV.	DESCRIPTION	DATE	APPROVED
A	INITIAL RELEASE	11/06/06	D.N.




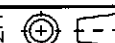
NOTES:

MATERIALS:

1. BODY = STAINLESS STEEL PER ASTM A582, ALLOY 303, CONDITION "A".
2. INSULATOR = VIRGIN WHITE TEFLON PER ASTM D1710, GRADE 1, TYPE I, CLASS "B".
3. CONTACT = BERYLLIUM COPPER PER ASTM B196, ALLOY C17300, TEMPER TD04.

FINISHES:

1. BODY = GOLD PLATE PER MIL-G-45204, TYPE II, CLASS 0, GRADE C, OVER .000050 TO .00010 STRESS FREE NICKEL PER QQ-N-290.
2. CONTACT = GOLD PLATE PER MIL-G-45204, TYPE II, CLASS 1, GRADE C, OVER .00010 TO .00020 STRESS FREE SULFAMATE NICKEL PER QQ-N-290.

UNLESS OTHERWISE SPECIFIED DIMENSIONS ARE IN INCHES TOLERANCES ON	DWN:	DATE	 APPLIED ENGINEERING PRODUCTS 104 John W. Murphy Dr. New Haven, CT 06513 <i>a RADIAL company</i>		
	D.N.	11/06/06			
	CHKD:	DATE			
DECIMAL	ANGLE	A.D.M.	11/06/06	SMA STRAIGHT JACK P.C.B. MOUNT RECEPTACLE	
		APVD:	DATE		
		J.M.	11/06/06	SIZE A FSCM NO. 19505 DWG NO. 9650-1113-052 REV A	
REFERENCE:	MATERIALS & FINISHES:		SCALE 6:1	THIRD ANGLE PROJECTION 	SHEET 1 OF 1
ORIGINATED: D.N. DATE: 11/06/06	SEE NOTES				

9650-1113-052