

**MATERIALS**

**HOUSING:**  
ALUMINUM 6061, NICKEL PLATE  
(500 MICRONS MINIMUM)  
PER SAE-AMS-2404

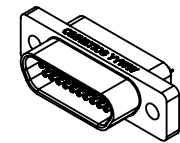
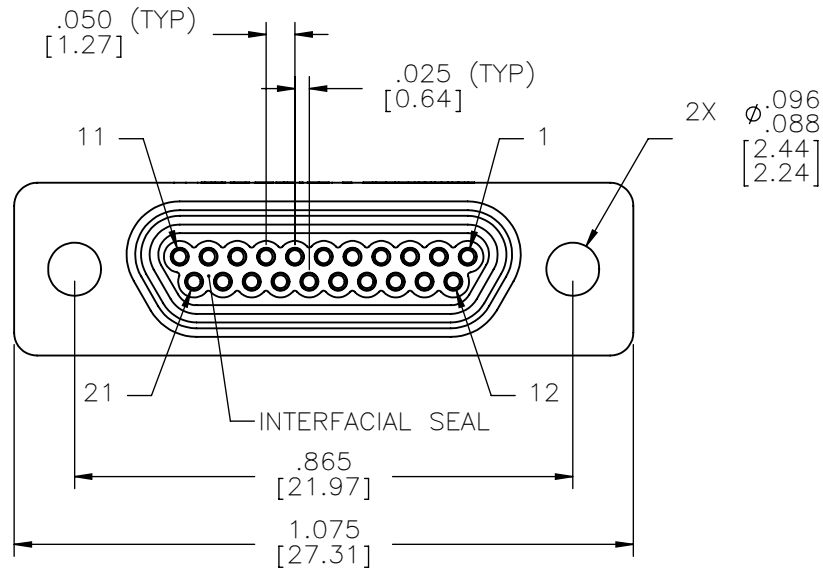
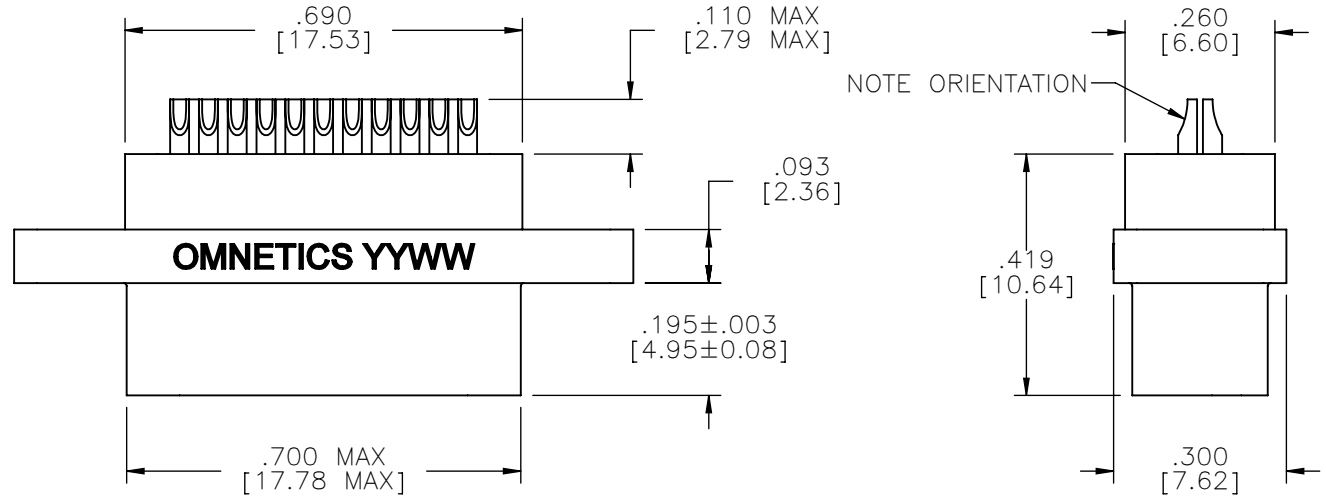
**INSULATOR:**  
LIQUID CRYSTAL POLYMER (LCP)  
PER ASTM D5138

**CONTACT/SOLDERCUP:**  
COPPER ALLOY PER MIL-DTL-  
83513, GOLD PLATED PER ASTM  
B488, (HARD GOLD) TYPE II  
CODE C CLASS 1.27

**INTERFACIAL SEAL:**  
SILICONE RUBBER PER A-A-  
59588

**HARDWARE:**  
AVAILABLE UPON REQUEST

PART NO.	A99000-021	REV	ECO	DATE	APP
		C	104188	01-29-18	HV



ACTUAL SIZE

**RoHS**

NOTE:  
DIMENSIONS IN [ ] ARE IN  
MILLIMETERS UNLESS  
OTHERWISE NOTED AND ARE  
FOR REFERENCE ONLY

MGT'S SCHEW	THIRD ANGLE
	-TOLERANCES-
	UNLESS OTHERWISE NOTED
	DIMENSIONS IN INCHES
2	PL DEC ± .01
3	PL DEC ± .005
4	PL DEC ± .0005
	ANGLES ± 1°

THIS DRAWING CONTAINS CONFIDENTIAL AND PROPRIETARY INFORMATION WHICH IS THE PROPERTY OF OMNETICS CONNECTOR CORP. THIS DOCUMENT MAY NOT, IN WHOLE OR IN PART, BE DUPLICATED, OR DISCLOSED FOR ANY PURPOSE, WITHOUT WRITTEN PERMISSION FROM OMNETICS CONNECTOR CORP.

DFTM. NJS	DATE
01-13-10	
CHK'D.	DATE
APP'D.	DATE

TITLE:  
(21) SOCKET FEMALE  
MICRO-D CONNECTOR

**OMNETICS**  
CONNECTOR CORPORATION  
7260 COMMERCE CIRCLE EAST  
MINNEAPOLIS, MN 55432  
WWW.OMNETICS.COM

CAGE CODE	61873
DWG NO.	A99000-021
SHEET 1 OF 1	REV C
SCALE:	3:1