

NOTES:

1. MATERIALS AND FINISHES (PLATING THICKNESS IN MICRO-INCHES):
  - ① SHELL : COPPER ALLOY, NICKEL 50 MIN. THICK OVERALL, SOLDERING AREA GOLD 2 MIN. THICK
  - ② PIN 1 : STAINLESS STEEL, NICKEL 50 MIN. THICK OVERALL, SOLDERING AREA GOLD 2 MIN. THICK, CONTACT AREA GOLD 5 MIN. THICK
  - ③ PIN 2 : STAINLESS STEEL, NICKEL 50 MIN. THICK OVERALL, SOLDERING AREA GOLD 2 MIN. THICK, CONTACT AREA GOLD 5 MIN. THICK
  - ④ TOP HOUSING : LCP UL94V-0, BLACK
  - ⑤ BOTTOM HOUSING : LCP UL94V-0, BLACK

2. ELECTRICAL:
  - A. IMPEDANCE: 50 OHM
  - B. FREQUENCY RANGE: DC - 11 GHz
  - C. VSWR : 1.20 MAX. @ DC-3 GHz,  
1.30 MAX. @ 3-6 GHz,  
1.50 MAX. @ 6-11 GHz
  - D. DIELECTRIC WITHSTANDING VOLTAGE: 300V AC FOR 1 MINUTE
  - E. INITIAL CONTACT RESISTANCE: 70 mΩ MAX (WITHOUT CONDUCTOR RESISTANCE)
  - F. INSULATION RESISTANCE: 500 MEGOHMS MIN.
  - G. INSERTION LOSS: 0.10 dB MAX. @ DC-3 GHz  
0.20 dB MAX. @ 3-6 GHz  
0.50 dB MAX. @ 6-11 GHz
  - H. ISOLATION: 20 dB MIN. @ DC-3 GHz  
15 dB MIN. @ 3-6 GHz  
10 dB MIN. @ 6-11 GHz
  - I. VOLTAGE RATING: 60V AC MAX
  - J. POWER RATING: 2 W

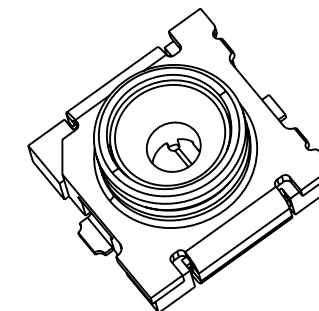
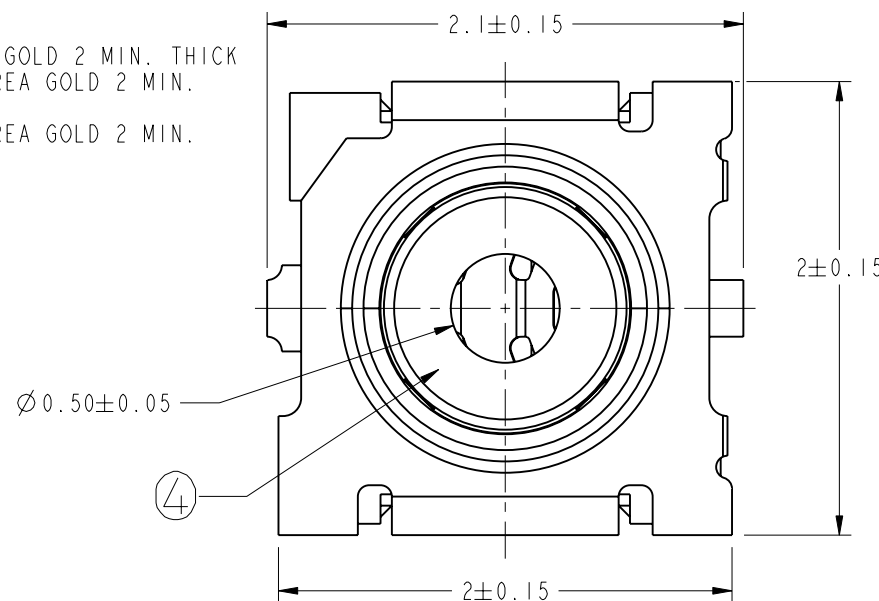
3. MECHANICAL:
  - A. TEMPERATURE RANGE: -40°C TO +85°C
  - B. DURABILITY: 100 CYCLES

4. PACKAGING:
  - A. QUANTITY: TAPE AND REEL, 3000 PCS/REEL
  - B. MARKING: BAG TO BE MARKED "AMPHENOL RF, 902-9235, AND DATE CODE"

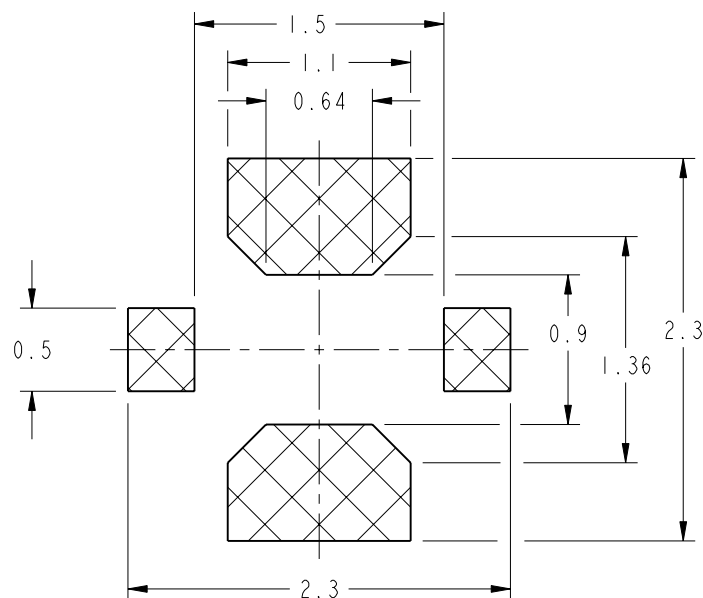
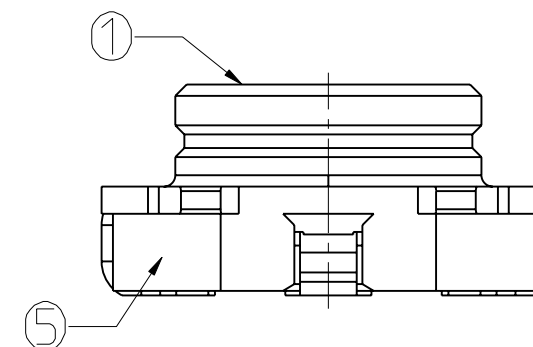
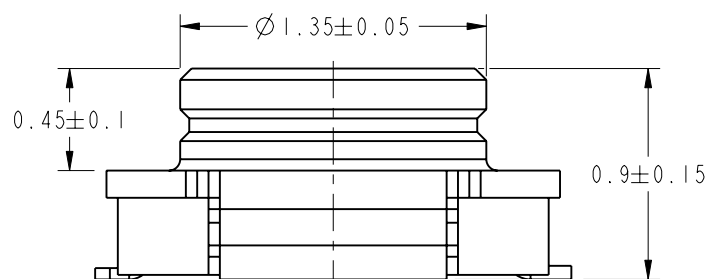
THIRD ANGLE PROJ.

REVISIONS

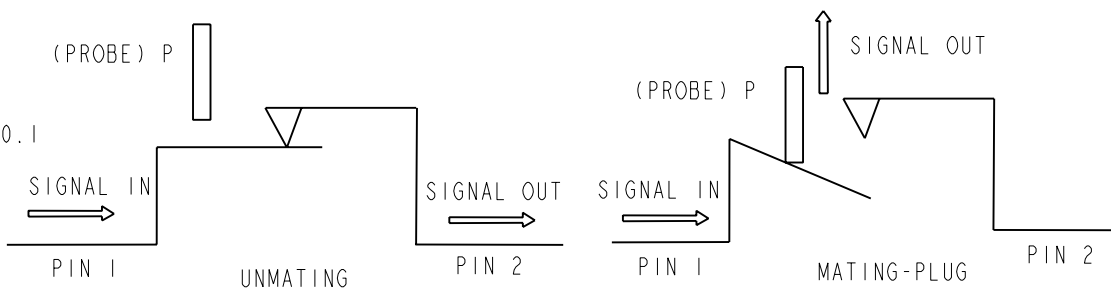
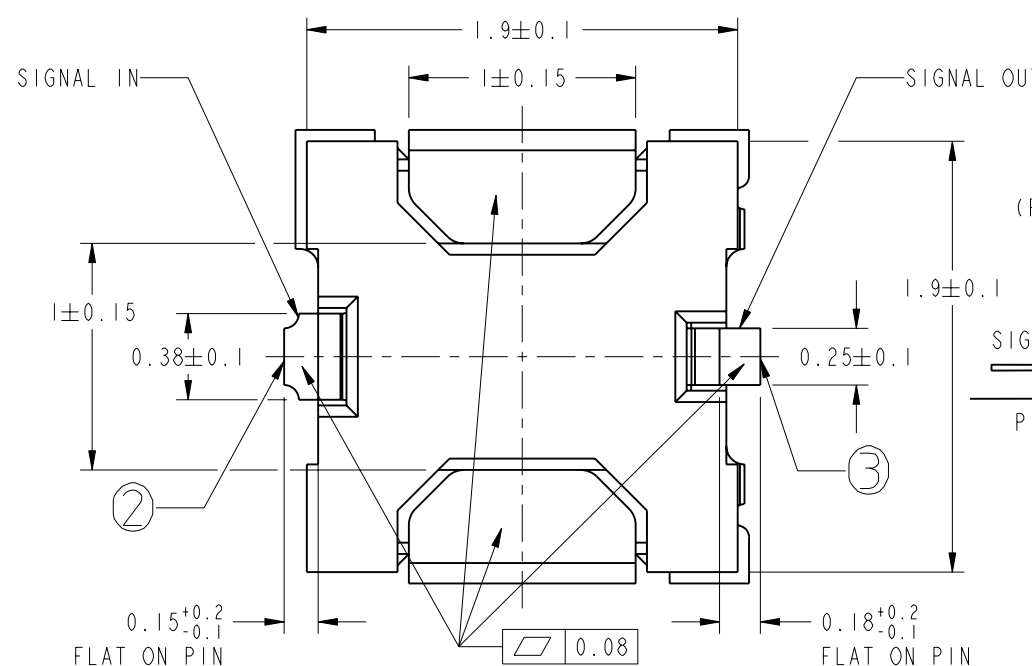
REV	DESCRIPTION	DATE	ECO	APPR
A	RELEASE TO MFG.	5/6/15	50282	EW
B	CORRECTED MATERIAL AND PLATING DETAILS VRD-DMI702180IT3	13-Mar-17	50604	TL



SCALE 15.000



**RECOMMENDED PCB LAYOUT DIMENSIONS**



**CUSTOMER OUTLINE DRAWING**  
ALL OTHER SHEETS ARE FOR INTERNAL USE ONLY

UNLESS OTHERWISE SPECIFIED, DIMENSIONS ARE IN METRIC AND TOLERANCES ARE:  
 <0.5mm ±0.05mm    0.5 - 6mm ±0.1mm    6 - 30mm ±0.2mm    30 - 120mm ±0.3mm    ANGLES ±1°

NOTICE - These drawings, specifications, or other data (1) are, and remain the property of Amphenol corp. (2) must be returned upon request; and (3) are confidential and not to be disclosed to any person other than those to whom they are given by Amphenol Corp. the furnishing of these drawings, specifications, or other data by Amphenol Corp., or to any other person for any purpose is not to be regarded by implication or otherwise in any manner licensing, granting rights to permitting such holder or any other person to manufacture, use or sell any product, process or design, patented or otherwise, that may in any way be related to or disclosed by said drawings, specifications, or other data.

MATERIAL SEE NOTES	DRAWN TOM	DATE 13-Mar-17	TITLE RF SWITCH	Amphenol RF www.amphenolrf.com
REFERENCE EAR # 6126	ENGINEER E WANKOFF	DATE 04-Mar-14	SCALE: 30.0:1.0 SHEET 2 OF 2	
CONFIGURATION LEVEL: In Work	APPROVED S.H	DATE 13-Mar-17	DWG SIZE B	DRAWING NO. 902-9235
FINISH	CAD FILE		REV B	ITEM NO. 902-9235
				PART NO. 902-9235