

RFPC-SMA14-FN: SMA Right Angle Bulkhead Jack With O-ring, PCB Connector, Rated to IP67/68, 6GHz

Material and Plating:

- Insulator A: Teflon
- Insulator B: Teflon
- Insulator C: Teflon
- Body A: Brass, Gold Plated
- Body B: Brass, Gold Plated
- Pin A: Be Cu, Gold Plated
- Pin B: Brass, Gold Plated
- Gasket: Silicon, Color: Red
- O-Ring: Silicone, Color: Red
- Cap: Brass, Gold Plated

Washer: Brass, Gold Plated

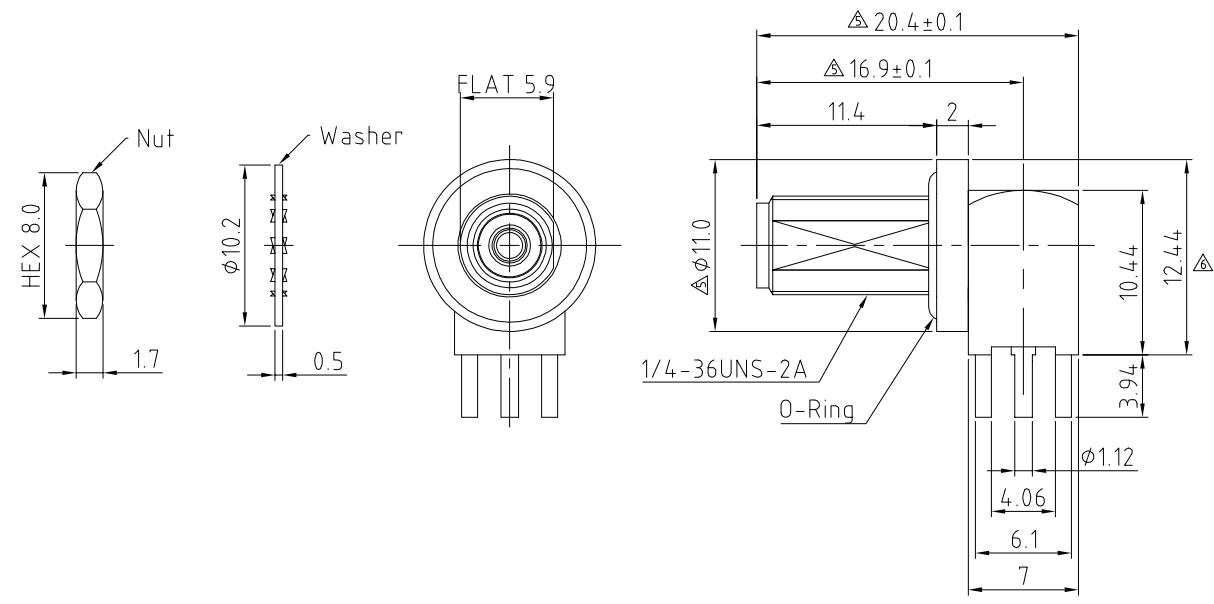
Nut: Brass, Gold Plated

Environmental:

- A. Tested to:
 - i. IP6x - Dust tight - no particle ingress.
 - ii. IPx7 Waterproof for 30 minutes up to 1 meter underwater.
 - iii. IPx8 Waterproof for 48 hours at 1 meter underwater.

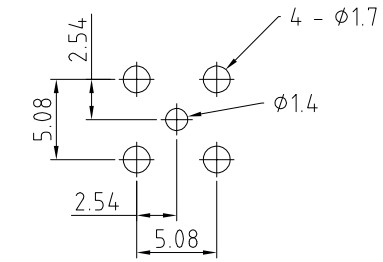
Notes:

1. Packaging Type: 160pcs/Tray.
2. Working Frequency Range: DC-6GHz.
3. Operating Temperature: -65°C~+165°C.
4. Impedance: 50 ohm.

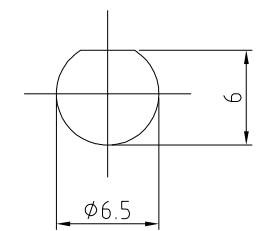


HOW TO ORDER
RFPC - SMA14 - FN - X

WASHER AND NUT OPTIONS:
BLANK = SEPARATELY PACKED (STANDARD)
A = ALL ASSEMBLED WITH CONNECTOR



Recommended PCB Hole Layout



Recommended Mounting Hole

REV. DATE & DRN	10/06/17/17 - NYW RELEASE
11	27/11/17 - NYW ADD ENVIRONMENTAL INFO.
12	07/01/18 - NYW RELEASE OFFICIAL DRAWING.
13	18/02/19 - NYW ADD WASHER & NUT OPTIONS.
14	24/05/19 - NYW ADD OPERATING TEMP.
15	25/11/19 - NYW ADD UNSTATED TOLERANCE.
16	13/01/23 - NYW ADD TOLERANCE TO DIMENSIONS.
17	14/02/23 - NYW ADD DIMENSION.
18	07/09/23 - NYW ADD IMPEDANCE.
	UPDATE FREQUENCY & TEMP.

Scale: NTS	THIRD ANGLE	Unstated X ±0.20 XX ±0.20 XXX ±0.20 ANGLES ±2°	Tolerances:
Drawn: NYW			
App'd: XXX	Title SMA PCB Connector		
Date: 7 SEP. '23	Revision: 18	Unit: mm	

IP67/68 Rated Cables

www.gradconn.com

© THIS DRAWING IS CONFIDENTIAL AND MUST NOT BE COPIED OR DISCLOSED WITHOUT WRITTEN CONSENT

Type: RFPC-SMA14-FN	
RFPC-SMA14-FN	
Drawing Number:	
Sheet 1	of 1
Drawing ©	E and O E