

NOTES:

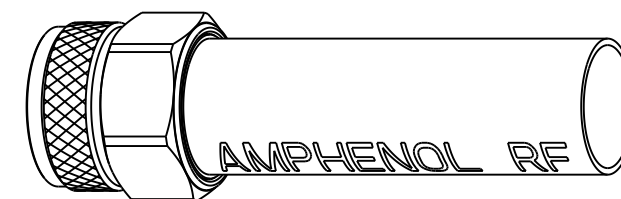
1. MATERIALS AND FINISHES:
 BODY & COUPLING NUT - BRASS, NICKEL PLATING
 CONTACT - BERYLLIUM COPPER, GOLD PLATING
 INSULATORS - PTFE
 GASKET - SILICONE RUBBER
 FERRULE - SEAMLESS COPPER, NICKEL PLATING
 HEAT SHRINK TUBE - POLYOLEFIN, BLACK
2. ELECTRICAL:
 A. IMPEDANCE: 50 OHM
 B. FREQUENCY RANGE: DC-6 GHz
 C. DIELECTRIC WITHSTANDING VOLTAGE: 1000 VRMS.MIN.
3. MECHANICAL:
 A. DURABILITY: 500 CYCLES MIN.
 B. TEMPERATURE RANGE: -40°C TO 85°C
 C. SEALING: IP67 IN MATED CONDITION
4. PACKAGING:
 A. QUANTITY: BULK PACK 25 CONNECTORS WITH INDIVIDUALLY BULK PACKED LOOSE COMPONENTS
 B. MARKING: BAG TO BE MARKED "AMPHENOL RF, 31-7020, AND DATE CODE"

5. CABLE ASSEMBLY INSTRUCTIONS:
 A. TRIM CABLE AS SHOWN.
 B. SLIDE FERRULE AND INSULATOR DISC ONTO CABLE.
 C. CRIMP CABLE CENTER CONDUCTOR TO CONTACT USING .068"±0.005" HEX DIE OR SOLDER.
 D. INSERT CABLE WITH FOIL ENTERING CONNECTOR AND BRAID OVER KNURL.
 E. CRIMP FERRULE OVER BRAID WITH .213"±.005" HEX DIE. CRIMP THE FERRULE AS CLOSE TO THE BODY AND DO NOT EXTEND PAST THE BODY BARREL. LENGTH OF CRIMP TOOL IS .394"±.008".

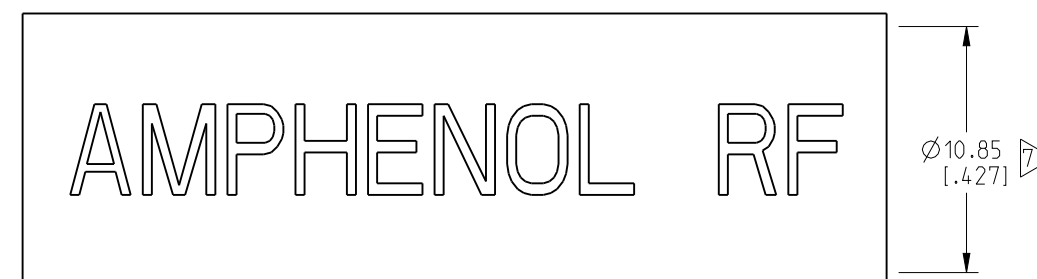
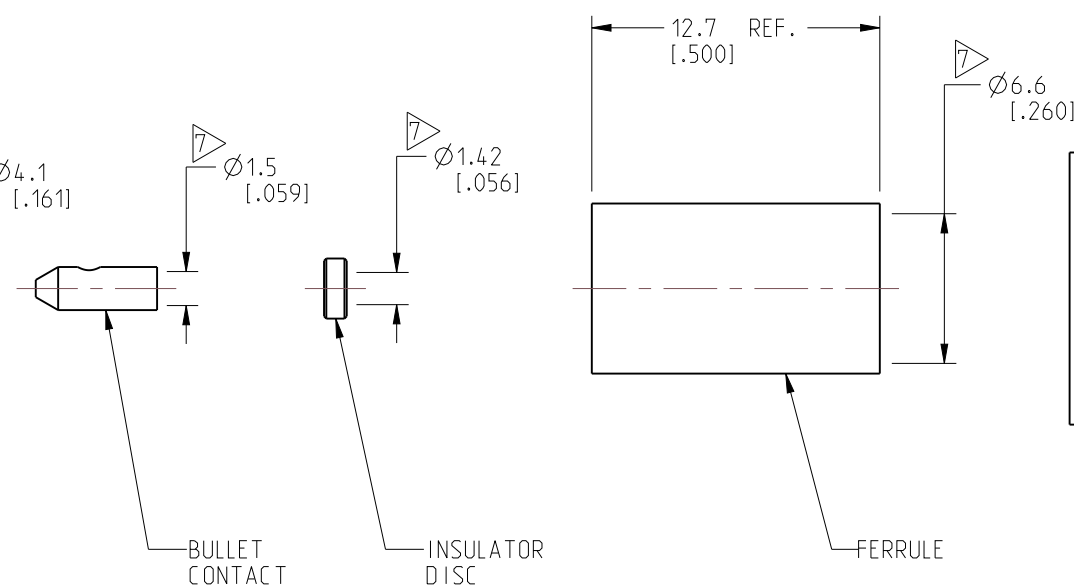
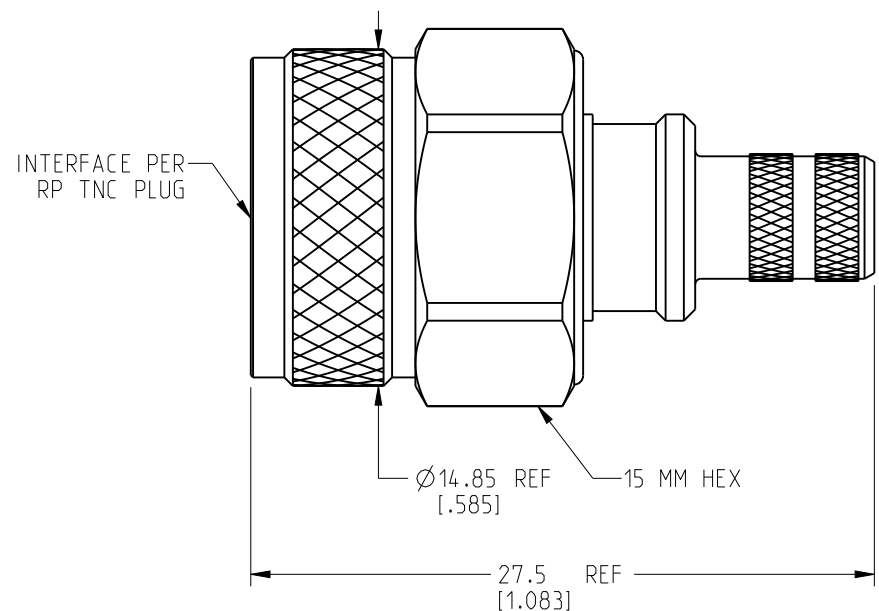
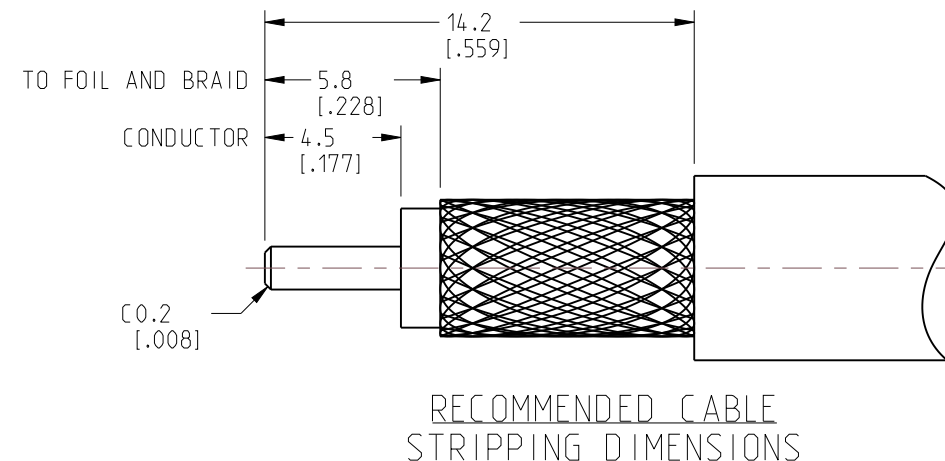
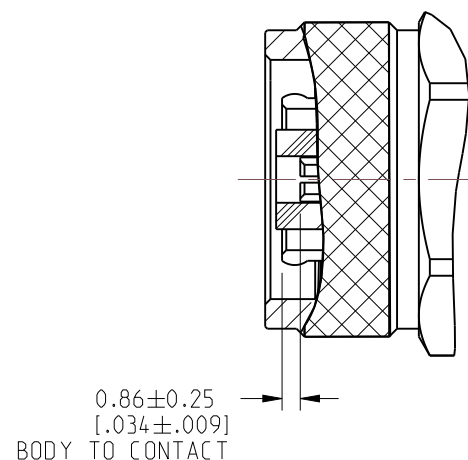
6. RECOMMENDED COUPLING TORQUE : 4-6 IN-LBS.

7 SHOWS CABLE ENTRY DIMENSIONS.

REVISIONS				
REV	DESCRIPTION	DATE	ECN	BY
A	RELEASE TO MFG.	07-DEC-21		BEW



SCALE 1.500



CUSTOMER OUTLINE DRAWING
 ALL OTHER SHEETS ARE FOR INTERNAL USE ONLY

NOTICE: These drawings, specifications, or other data (1) are, and remain the property of Amphenol corp. (2) must be returned upon request; and (3) are confidential and not to be disclosed to any person other than those to whom they are given by Amphenol Corp. The furnishing of these drawings, specifications, or other data by Amphenol Corp., or to any other person to anyone for any purpose is not to be regarded by implication or otherwise in any manner licensing, granting rights to permitting such holder or any other person to manufacture, use or sell any product, process or design, patented or otherwise, that may in any way be related to or disclosed by said drawings, specifications, or other data.

UNLESS OTHERWISE SPECIFIED
 DIMENSIONS ARE METRIC (INCHES) AND TOLERANCES ARE:
 <0.5mm = ±0.05mm [-0.020 = ±0.002]
 >0.5 - 6mm = ±0.1mm [0.020 - 0.236 = ±0.004]
 >6.00 - 30mm = ±0.2mm [0.236 - 1.181 = ±0.008]
 >30.00 - 120mm = ±0.3mm [1.181 - 4.725 = ±0.012]

MATERIAL
 SEE NOTE 1

TITLE
 RP TNC STR PLUG
 IP67 FOR LMR-240 CABLE

Amphenol RF

THIRD ANGLE PROJ. REFERENCE 31-6502 EAR# 10710

ANGLES = ±1°

ENGR.1
 B.W YMAN

ENGR.2

DATE
 26-AUG-21

SHEET NO. 2 OF 2 SCALE: 3.0:1.0

SIZE B DRAWING NO. 31-7020
 ITEM NO. 31-7020
 PART NO. 31-7020

REV
 A