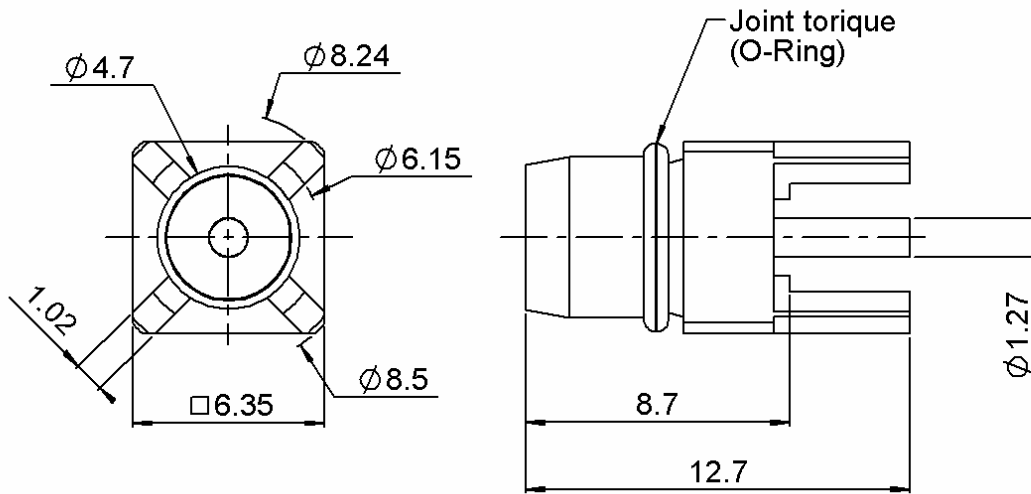


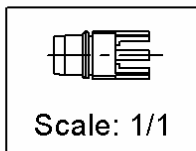
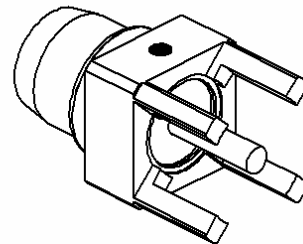
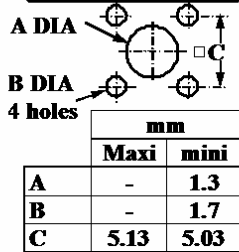
**STRAIGHT PCB RECEPTACLE**

**R128.425.300**

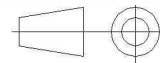
Series : **BMA**



**PANEL CUT OUT**



All dimensions are in mm.



COMPONENTS	MATERIALS	PLATING (µm)
<b>BODY</b>	<b>STAINLESS STEEL</b>	<b>GOLD 0.5 OVER NICKEL 2</b>
<b>CENTER CONTACT</b>	<b>BERYLLIUM COPPER</b>	<b>GOLD 1.3 OVER NICKEL 2</b>
<b>OUTER CONTACT</b>	-	-
<b>INSULATOR</b>	<b>PTFE</b>	-
<b>GASKET</b>	<b>SILICONE RUBBER</b>	-
<b>OTHERS PARTS</b>	-	-
-	-	-
-	-	-

**Issue : 1149 B**

In the effort to improve our products, we reserve the right to make changes judged to be necessary.



**STRAIGHT PCB RECEPTACLE**

**R128.425.300**

Series : **BMA**

**PACKAGING**

**SPECIFICATION**

Standard	Unit	Other
<b>100</b>	<b>'W' option</b>	<b>Contact us</b>

**ELECTRICAL CHARACTERISTICS**

**ENVIRONMENTAL**

Impedance	<b>50</b>	$\Omega$
Frequency	<b>0-22</b>	GHz
VSWR	- + <b>0,0000</b>	x F(GHz) Maxi
Insertion loss	-	$\sqrt{F}$ (GHz) dB Maxi
RF leakage	- (	- F(GHz)) dB Maxi
Voltage rating	<b>350</b>	Veff Maxi
Dielectric withstanding voltage	<b>1000</b>	Veff mini
Insulation resistance	<b>5000</b>	M $\Omega$ mini

Operating temperature	<b>-65/+125</b>	$^{\circ}$ C
Hermetic seal	-	Atm.cm3/s
Panel leakage	-	

**OTHER CHARACTERISTICS**

Assembly instruction

Others :

**MECHANICAL CHARACTERISTICS**

Center contact retention		
Axial force – Mating end	<b>27</b>	N mini
Axial force – Opposite end	<b>27</b>	N mini
Torque	<b>NA</b>	N.cm mini
Recommended torque		
Mating	-	N.cm
Panel nut	-	N.cm
Mating life	<b>1000</b>	Cycles mini
Weight	<b>0,2100</b>	g

Issue : 1149 B

In the effort to improve our products, we reserve the right to make changes judged to be necessary.

**RADIALL** 