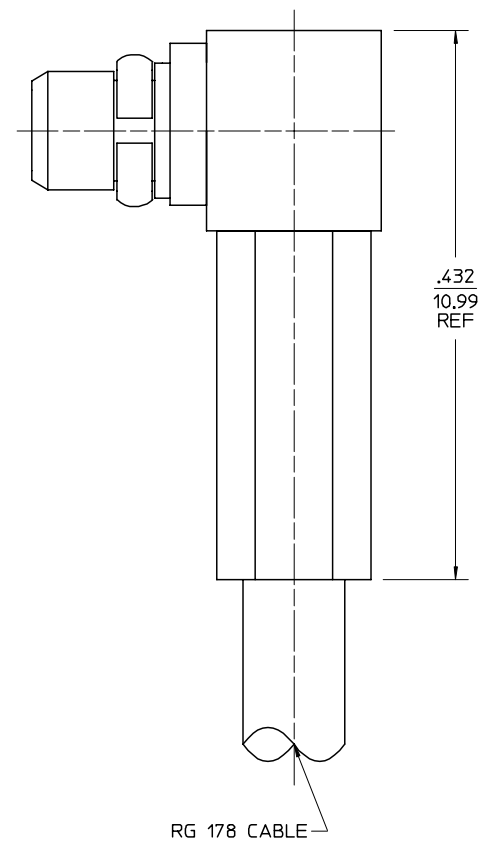
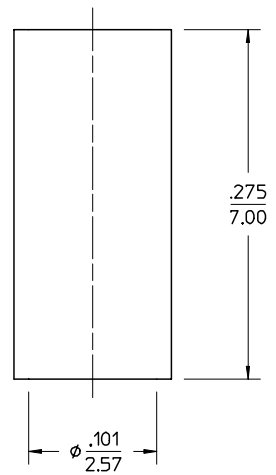
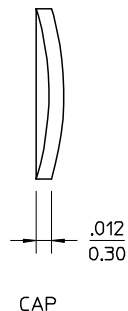
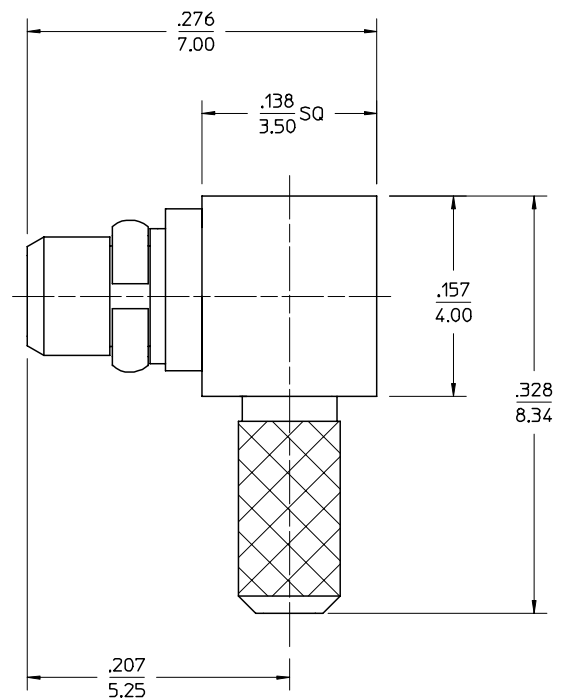


MATERIALS AND FINISHES:

BODY, HOUSING, CRIMP TUBE,
BRASS, GOLD PLATED

CONTACT, SNAP RING
BERYLLIUM COPPER, GOLD PLATED

INSULATOR
TEFLON



AS-89678-0700	CABLE ASSEMBLY	SD-73415-1951	PER COMMERCIAL REQUIREMENTS
PS-89675-1930	ELECTRO/MECH PERFORMANCE	SD-73415-1950	PER MILITARY REQUIREMENTS
SPECIFICATION	DESCRIPTION	PART NUMBER	PLATING

CHG: ADD ASSY INTR. EC NO RF02-XXX DRWN: LYNN CHK: JOHNSON APPR: MISEN CHG: NEW RELEASE	EC NO RF-0390 DRWN: JACK 00/04/25 CHK: JOHNSON APPR: MISEN	DESCRIPTION	UNLESS OTHERWISE SPECIFIED DIMS ARE INCHES AND ANGLES ARE DEGREES.
			<ol style="list-style-type: none"> ✓ 63 ALL OVER. NO CHATTER OR NON-UNIFORM SURFACE FINISH ALLOWED. PARTS TO BE FREE OF BURRS & SHARP EDGES .005 MAX BREAK, & EXTERNAL THREADS TO BE ROLLED OR SINGLE POINT. DIAMETERS TO BE CONCENTRIC WITHIN .003 TIR.
B	A	REV	

- 1. ✓ 63 ALL OVER.
- 2. NO CHATTER OR NON-UNIFORM SURFACE FINISH ALLOWED.
- 3. PARTS TO BE FREE OF BURRS & SHARP EDGES .005 MAX BREAK, & EXTERNAL THREADS TO BE ROLLED OR SINGLE POINT.
- 4. EXTERNAL THREADS TO BE ROLLED OR SINGLE POINT.
- 5. DIAMETERS TO BE CONCENTRIC WITHIN .003 TIR.

QUALITY SYMBOLS	GENERAL TOLERANCES: (UNLESS SPECIFIED)
MAJOR	mm INCH
CRITICAL	mm INCH
	4 PLACES * — * —
	3 PLACES * — * —
	2 PLACES * .13 * —
	1 PLACE * .25 * —
	ANGULAR: ±2°
	DRAFT WHERE APPLICABLE MUST REMAIN WITHIN DIMENSIONS

SCALE	DESIGN UNITS
	<input type="checkbox"/> mm <input checked="" type="checkbox"/> INCH
DRAWN BY & DATE	
JACK 2000/04/25	
CHECKED BY & DATE	
APPROVED BY & DATE	
DESIGN REVIEW	MATERIAL NO.
XXX 00/00/00	SEE NOTE

THIRD ANGLE PROJECTION	TITLE:
	MMCX PLUG, R/A REVERSE CABLE RG178
	MMCX-PC/RA
MOLEX INCORPORATED	
DRAWING NO.	SHEET NO.
SD-73415-195	1 of 1

1	B
SHT	REV
	REVISE ON CAD ONLY
THIS DRAWING CONTAINS INFORMATION THAT IS PROPRIETARY TO MOLEX INCORPORATED AND SHOULD NOT BE USED WITHOUT WRITTEN PERMISSION.	
SIZE	B