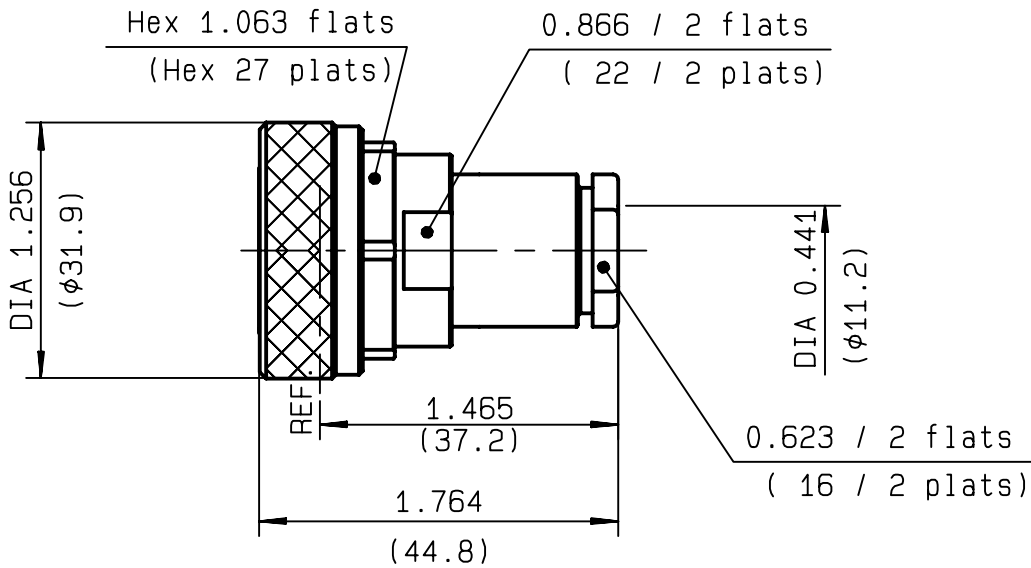


**STRAIGHT PLUG CLAMP TYPE
CABLE 10 +11/50**

R185.010.000
SERIES 7-16



NOMINAL IMPEDANCE	50 Ω
FREQUENCY RANGE	0-7.5 GHz
TEMPERATURE RATING	-55/+155 °C
V.S.W.R	1.20 + x F(GHz)Maxi
RF INSERTION LOSS	0.05 √F(GHz) dB Maxi
VOLTAGE RATING	1400 Veff Maxi
DIELECTRIC WITHSTANDING VOLTAGE	2700 Veff Mini
INSULATION RESISTANCE	10000 MΩMini
HERMETIC SEAL	NA Atm.cm ³ /s
LEAKAGE (pressurized only)	NA
MECHANICAL DURABILITY	500 Cycles
WEIGHT	101.1 gr
SPECIFICATION	

CABLES : **KX 13**
KX 4
RG 213
RG 214
RG 225

OTHERS CHARACTERISTICS

ROG	1.10	a 3 GHz
CABLE RETENTION	250	N Mini
CENTER CONTACT RETENTION		
Axial force - mating end	200	N Mini
Axial force - opposite end	200	N Mini
Torque	NA	cm.N Mini
RECOMMENDED TORQUES		
Mating	3000	cm.N
Panel nut	NA	cm.N
Clamp nut	800	cm.N

CONNECTOR PARTS	MATERIALS	FINISH	(all values are given in micrometers)
BODY	BRASS	BBR 0.5 OVER SILVER 3	
OUTER CONTACT	BRASS	SILVER 5 OVER COPPER 0.5	
CENTER CONTACT	BRASS	SILVER 5 OVER COPPER 0.5	
INSULATOR	PTFE	-	
GASKET	SILICONE RUBBER	-	
OTHERS PIECES	BRASS	BBR 2	

ISSUE	CREATION DATE	FILE PART-NUMBER
0224F00	11/05/1994	EPC96-02



RADIALL®

GAUTIER

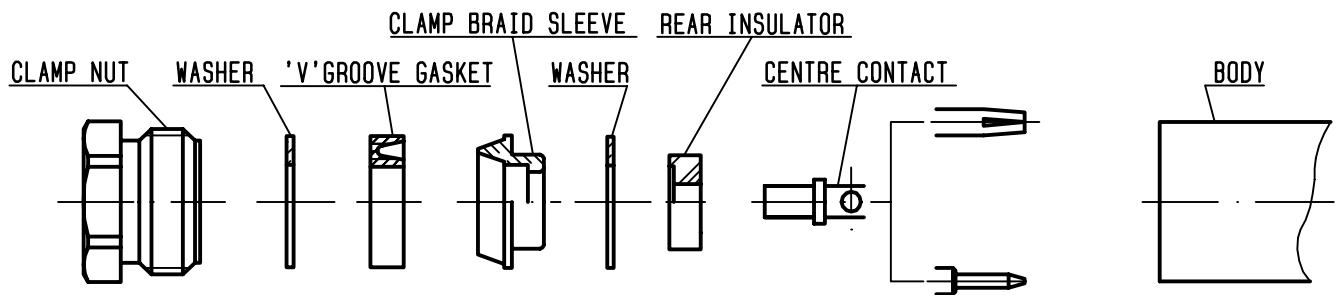
The information given here is subject to change without notice.
Design changes may be in order to improve the product .

Connect to the future



R185.010.000

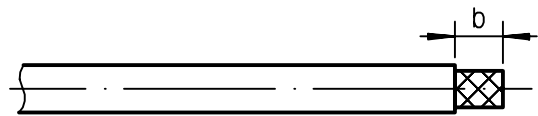
ISSUE 0224F00 SERIES 7-16



①

Strip the cable .

-
-
-
-

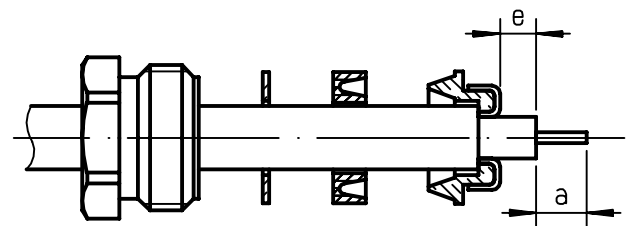


Stripping	a	b	c	d	e
inch	0.197	0.335	0	0	0.059
mm	5	8.5			1.5

②

Slide the clamp nut , the washer and the 'V' groove gasket onto the cable .
 Slide clamp braid sleeve over braid .
 Fold back braid and trim off surplus braid .
 Trim back dielectric as shown .

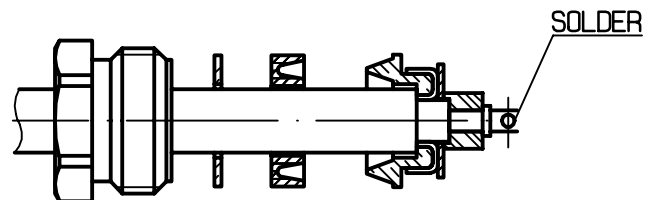
-
-



③

Mount washer and rear insulator .
 Solder the cable inner conductor into centre contact .

-
-
-
-



④

Screw sub-assembly into the connector body .
 (recommended coupling torque 70.87 in.lb)

-

