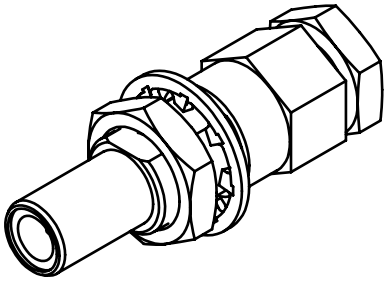
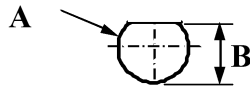


REVISIONS

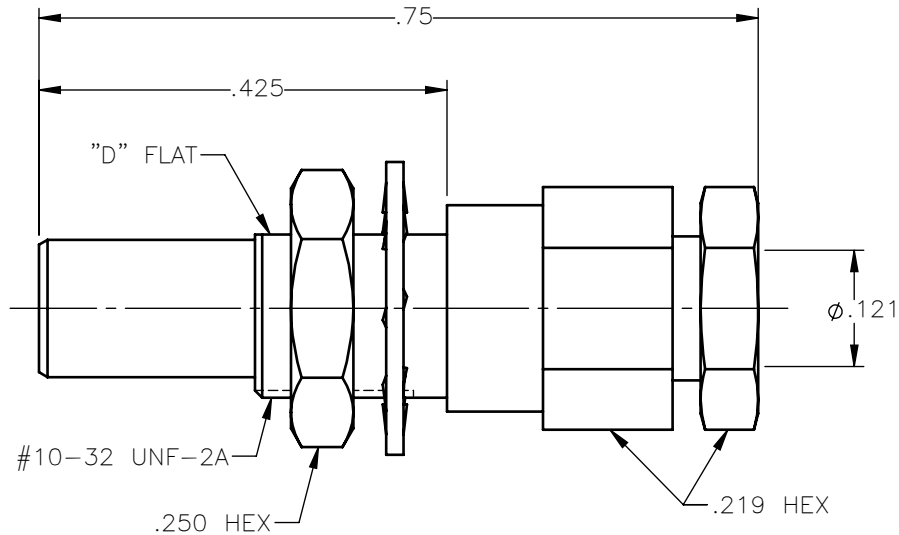
REV.	DESCRIPTION	DATE	APPROVED
A	INITIAL RELEASE	04/13/18	C.E.



PANEL CUT OUT



inches		
	Maxi	mini
A	.198	.192
B	.183	.177





NOTES:

MATERIALS:

1. INSULATORS = VIRGIN WHITE TEFLON PER ASTM D1710, GRADE 1, TYPE I, CLASS "B".
2. LOCKWASHER = PHOSPHOR BRONZE PER ASTM B139, COPPER ALLOY C53400, TEMPER H04.
3. ALL OTHER METAL PARTS = BRASS PER ASTM B16, ALLOY C36000, TEMPER H02.

FINISHES:

1. CONTACT = GOLD PLATE PER ASTM B488-11, TYPE II, 50 μ in MIN, GRADE C, OVER 100 TO 200 μ in STRESS FREE SULFAMATE NICKEL PER AMS-QQ-N-290.
2. ALL OTHER METAL PARTS = NICKEL PLATE PER AMS-QQ-N-290, CLASS 1, GRADE G, EXCEPT 100 TO 200 μ in THICK OVER 50 TO 100 μ in THICK COPPER PER AMS 2418.

UNLESS OTHERWISE SPECIFIED DIMENSIONS ARE IN INCHES TOLERANCES ON	DWN: C.E.	DATE: 04/16/18	 Property of Radiall This document cannot be reproduced or communicated to a third party without prior written permission of RADIALL.	
	CHKD: D.N.	DATE: 04/16/18		
DECIMAL	ANGLE	APVD: J.M.	SLB STRAIGHT MALE JACK BULKHEAD MOUNT CLAMP TYPE FOR RG-316 & SIMILAR CABLES	
REFERENCE:	MATERIALS & FINISHES:	SEE NOTES	SIZE: A FSCM NO.: 19505 SCALE: 5:1	DWG NO.: 3003-7551-003 THIRD ANGLE PROJECTION
ORIGINATED: C.E. DATE: 04/16/18				REV: A SHEET 1 OF 1

3003-7551-003