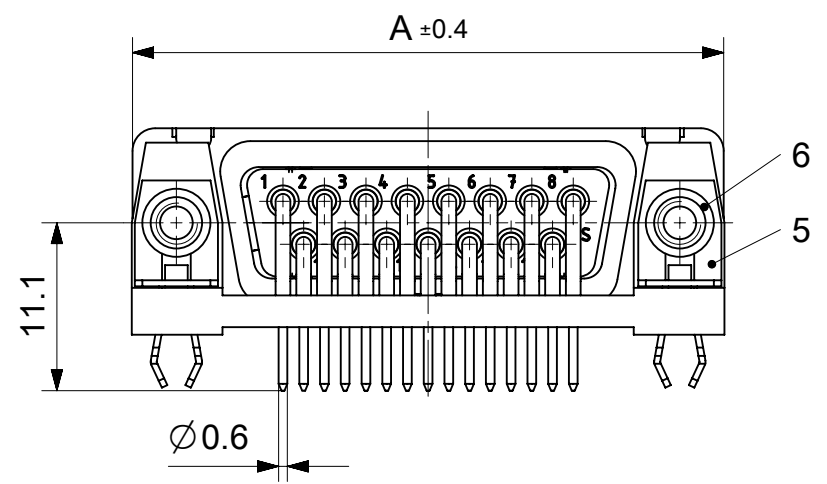
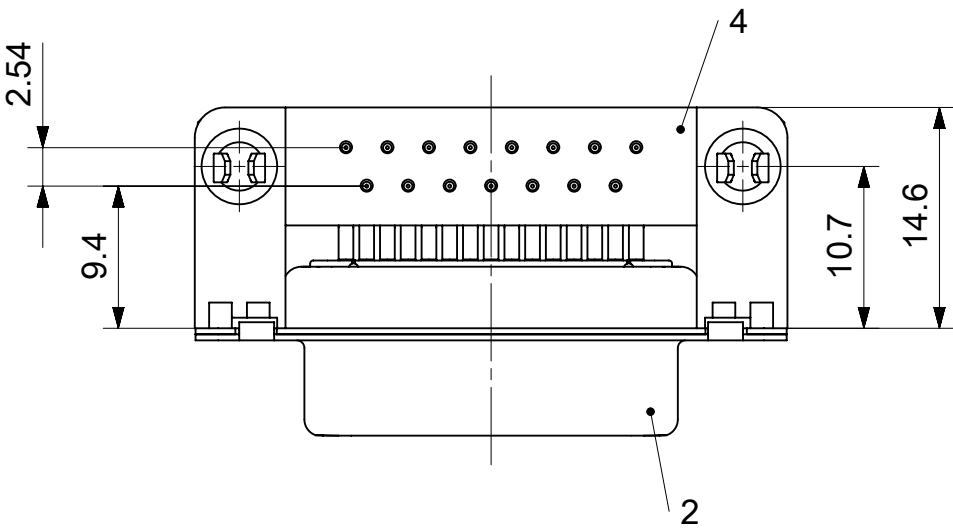
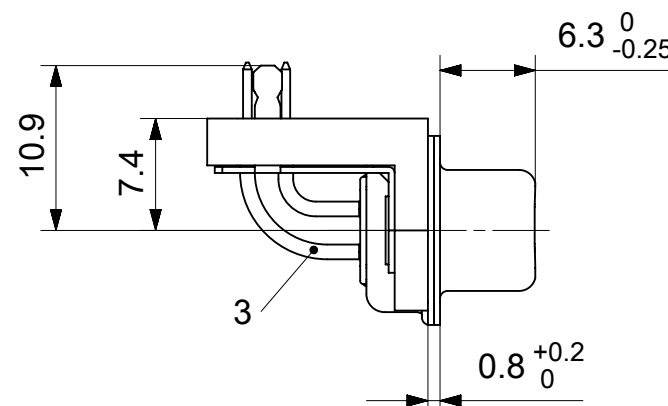
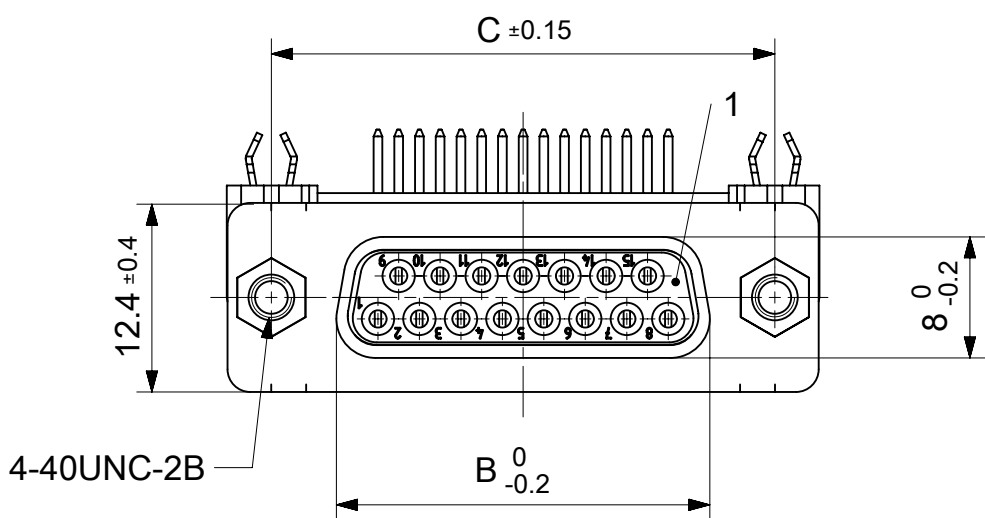


RoHS compliant
by exemption



FCT Part number:

Fxx*1)S5y*2)-0326

e.g. F15S5G1-0326

*1) xx No. of contacts 09, 15, 25 or 37

*2) y for performance classes 1, 2 or 3

(contact cycle for G1/G2/G3 = 500/200/50)

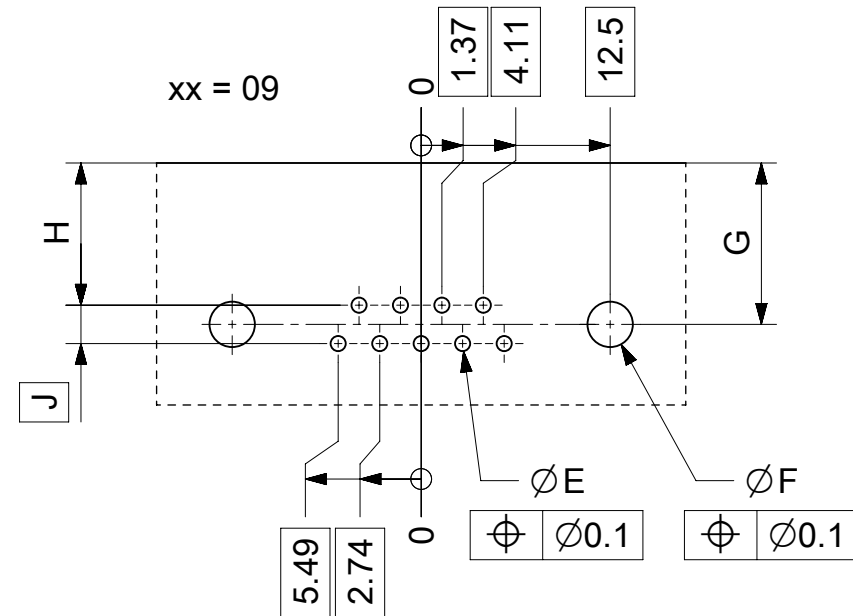
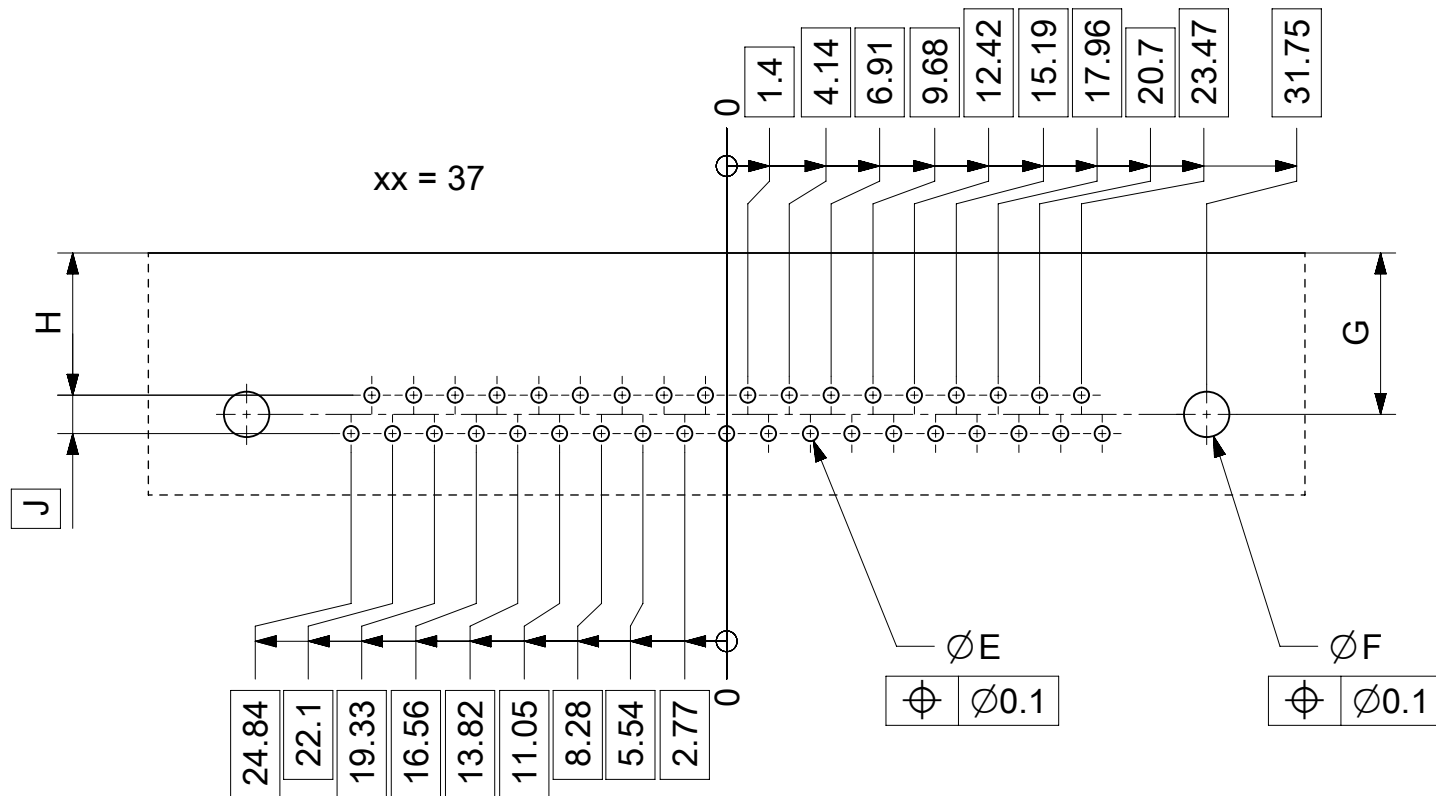
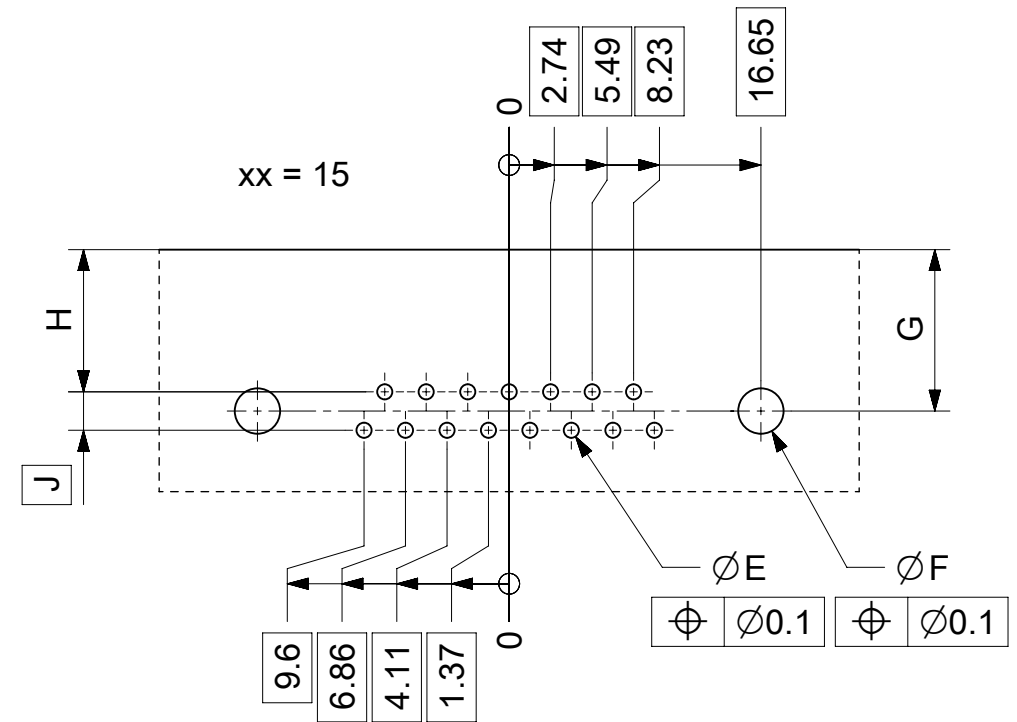
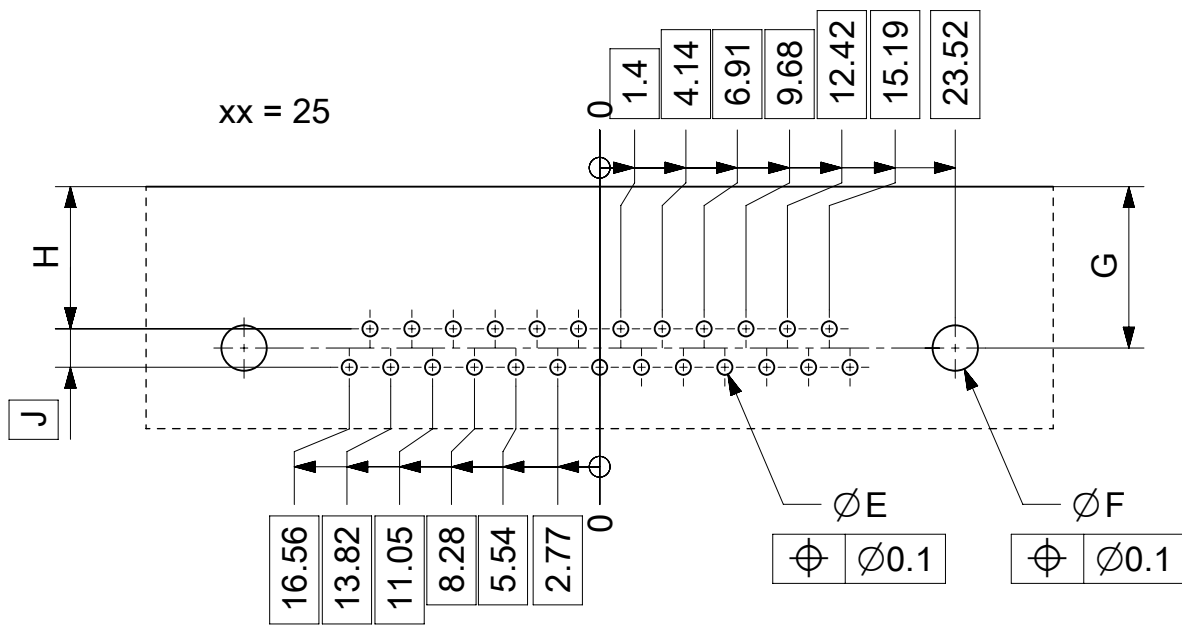
Material Number	xx*1)	y*2)	A [mm]	B [mm]	C [mm]	*E [mm]	*F [mm]	*G [mm]	*H [mm]	*J [mm]
1731090813	09	G1	30.8	16.4	25	Ø1	Ø3	10.7	9.4	2.54
1731091216		G2								
1731090820	15	G1	39.1	24.7	33.3					
1731091369		G2								
1731091482	25	G1	53	38.5	47.04					
1731090479		G2								
1731091556	37	G1	69.3	54.9	63.5					
1731090478		G2								

*PCB hole patterns ØE, ØF, G, H, J see document 2195600024

No.	Pc.	Part	Type Description/Material	Surface plating/Color/Class
6	2	Clinch nut	4-40 / Brass	tin plated
5	2	Snap-in bracket	PCB 1.6mm / Brass	tin plated
4	1	Plastic bracket	FKW1/4 GS / PC	black
3	xx	Signal contact	S5 / Brass	G1 / G2
2	1	Shell	Steel	tin plated
1	1	Insulator	PBT (-55°C to +125°C) acc. UL94V-0	white

MEASUREMENTS WITHOUT TOLERANCE ACC TO ISO 2768-m REPLACEMENT FOR DOCUMENT NUMBER: FxxS5Gy-0326

FUNCTIONAL SYMBOLS		THIS DRAWING CONTAINS INFORMATION THAT IS PROPRIETARY TO MOLEX ELECTRONIC TECHNOLOGIES, LLC AND SHOULD NOT BE USED WITHOUT WRITTEN PERMISSION		CURRENT REV DESC:			
DIMENSION UNITS		SCALE					
mm		2:1		EC NO: 714756		FCT D-SUB MINIATURE CONNECTOR	
GENERAL TOLERANCES (UNLESS SPECIFIED)		ANGULAR TOL ± °		DRWN: SKANDB 2022/02/21		PRODUCT CUSTOMER DRAWING	
4 PLACES ±		±		CHK'D: MTEUBEL 2022/07/22		DOCUMENT NUMBER	
3 PLACES ±		±		APPR: MTEUBEL 2022/07/22		1731090813	
2 PLACES ±		±		INITIAL REVISION:		DOC TYPE	
1 PLACE ±		±		DRWN: SKANDB 2022/02/21		PSD	
0 PLACES ±		±		APPR: MTEUBEL 2022/07/22		DOC PART	
DRAFT WHERE APPLICABLE MUST REMAIN WITHIN DIMENSIONS		FIRST ANGLE PROJECTION		DRAWING		REVISION	
				A3-SIZE		000	
				SERIES		A	
				MATERIAL NUMBER		SHEET NUMBER	
				173109		1 OF 1	
				CUSTOMER			
				SEE TABLE			
				GENERAL MARKET			



øE, øF, G, H, J see data sheet incl. connector
øF, G connectors with accessories only

MEASUREMENTS WITHOUT TOLERANCE ACC TO ISO 2768-m				REPLACEMENT FOR DOCUMENT NUMBER: AM0024			
THIS DRAWING CONTAINS INFORMATION THAT IS PROPRIETARY TO MOLEX ELECTRONIC TECHNOLOGIES, LLC AND SHOULD NOT BE USED WITHOUT WRITTEN PERMISSION							
FUNCTIONAL SYMBOLS	DIMENSION UNITS		SCALE	CURRENT REV DESC:			
$\nabla_A = 0$	mm		2:1	molex FCT PCB HOLE PATTERN RIGHT ANGL. CONTACT NO. OF CONTACTS 09-37 PRODUCT CUSTOMER DRAWING			
$\nabla_F = 0$	GENERAL TOLERANCES (UNLESS SPECIFIED)						
$\nabla_P = 0$	ANGULAR TOL ± °						
DIVISIONAL SYMBOLS	4 PLACES ±		EC NO: 713905	2022/05/16			
	3 PLACES ±		DRWN: SKANDB	2022/07/12			
	2 PLACES ±		CHK'D: MTEUBEL	2022/07/12			
	1 PLACE ±		APPR: MTEUBEL	INITIAL REVISION:			
	0 PLACES ±			DRWN: SKANDB 2022/05/16			
				APPR: MTEUBEL 2022/07/12			
DRAFT WHERE APPLICABLE MUST REMAIN WITHIN DIMENSIONS		FIRST ANGLE PROJECTION	DRAWING	SERIES	MATERIAL NUMBER	CUSTOMER	SHEET NUMBER
			A3-SIZE	219560	219560	GENERAL MARKET	1 OF 1