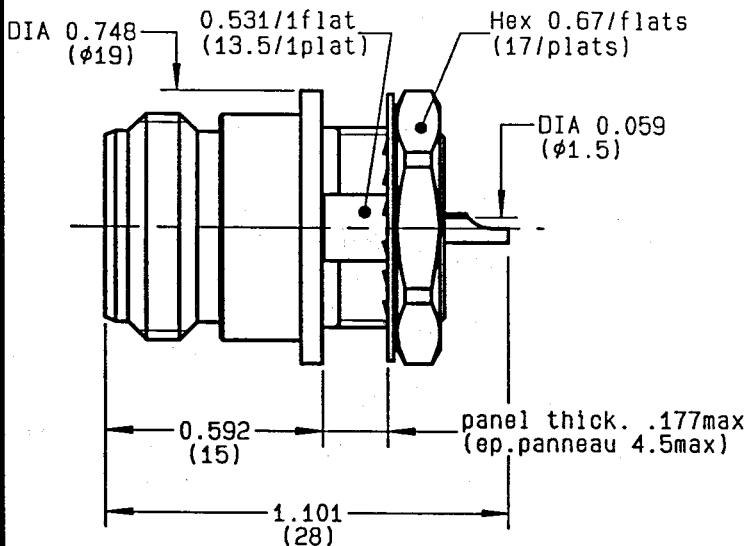


**BULKHEAD RECEPTACLE  
FRONT MONTED**

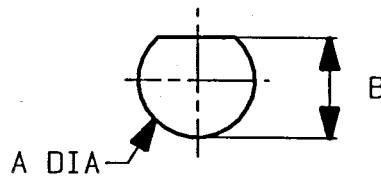
**R162.570.000**

**SERIES**

**N 75**



PERCEGE PANNEAU  
MOUNTING HOLE



	MM		INCH	
	maxi	mini	maxi	mini
A	14.3	14.1	0.563	0.56
B	13.8	13.6	0.543	0.535

NOMINAL IMPEDANCE	<b>75</b> Ω
FREQUENCY RANGE	<b>0-1.5</b> GHz
TEMPERATURE RATING	<b>-55/+155</b> °C
V.S.W.R	<b>NA</b> + x F(GHz)Maxi
RF INSERTION LOSS	<b>NA</b> √F(GHz) dB Maxi
VOLTAGE RATING	<b>850</b> Veff Maxi
DIELECTRIC WITHSTANDING VOLTAGE	<b>2500</b> Veff Mini
INSULATION RESISTANCE	<b>5000</b> M ΩMini
HERMETIC SEAL	<b>NA</b> Atm.cm <sup>3</sup> /s
LEAKAGE (pressurized only)	<b>NA</b>
MECHANICAL DURABILITY	<b>500</b> Cycles
WEIGHTH	gr
SPECIFICATION	

CABLES :

OTHERS CHARACTERISTICS

CABLE RETENTION	<b>NA</b>	N Mini
CENTER CONTACT RETENTION		
Axial force - mating end	<b>27</b>	N Mini
Axial force - opposite end	<b>27</b>	N Mini
Torque	<b>NA</b>	cm.N Mini
RECOMMENDED TORQUES		
Mating	<b>NA</b>	cm.N
Panel nut	<b>250</b>	cm.N
Clamp nut	<b>NA</b>	cm.N

CONNECTOR PARTS: MATERIALS

BODY	:BRASS
OUTER CONTACT	:BRASS
CENTER CONTACT	:BERYLLIUM COPPER
INSULATOR	:PTFE
GASKET	
OTHERS PIECES	:BRASS

FINISH

(all values are given in micrometers)

BBR 2
BBR 2
GOLD 0.5 OVER NICKEL 2
-
-
BBR 2

ISSUE	CREATION DATE	FILE PART-NUMBER
9733G00	26-OCT-93	



**RADIALL**®

The information given here is subject to change without notice. Design changes may be in order to improve the product.

Connect to the future