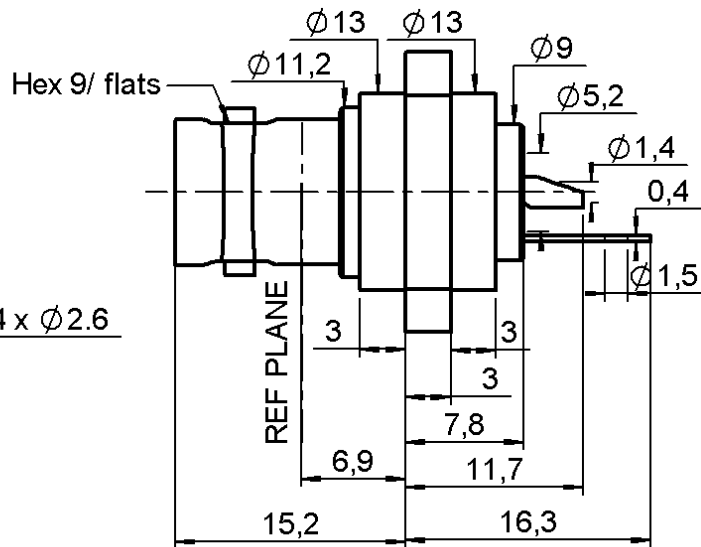
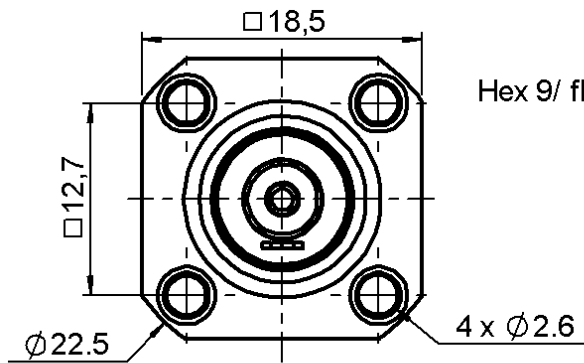


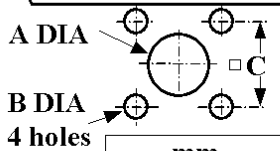
**INSULATED SQUARE FLANGE JACK RECEPTACLE  
WITH SOLDER POT CONTACT**

**R141.410.000**

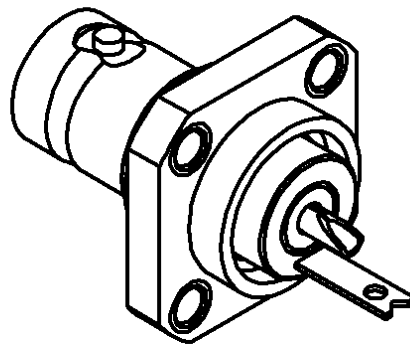
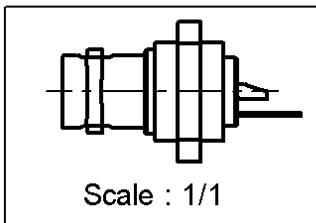
Series : BNC



**PANEL CUT OUT**



	mm	
	Maxi	mini
A	13.2	13.1
B	2.7	2.6
C	12.8	12.7



All dimensions are in mm.



COMPONENTS	MATERIALS	PLATING (µm)
BODY	BRASS	NICKEL 2
CENTER CONTACT	BERYLLIUM COPPER	GOLD 0.5 OVER NICKEL 2
OUTER CONTACT	-	-
INSULATOR	PTFE	-
GASKET	-	-
OTHERS PARTS	POLYAMIDES 11	-
-	-	-
-	-	-

Issue : 0849 B

In the effort to improve our products, we reserve the right to make changes judged to be necessary.



**INSULATED SQUARE FLANGE JACK RECEPTACLE  
WITH SOLDER POT CONTACT**

**R141.410.000**

Series : BNC

**PACKAGING**

**SPECIFICATION**

Standard	Unit	Other
<b>100</b>	<b>'W' option</b>	<b>Contact us</b>

**ELECTRICAL CHARACTERISTICS**

**ENVIRONMENTAL**

Impedance	<b>50</b>	$\Omega$
Frequency	<b>0-4</b>	GHz
VSWR	* + <b>0,0000</b>	x F(GHz) Maxi
Insertion loss	<b>.25</b>	$\sqrt{F}$ (GHz) dB Maxi
RF leakage	- ( <b>57</b> )	- F(GHz)) dB Maxi
Voltage rating	<b>500</b>	Veff Maxi
Dielectric withstanding voltage	<b>1500</b>	Veff mini
Insulation resistance	<b>5000</b>	M $\Omega$ mini

Operating temperature	<b>-65/+165</b>	$^{\circ}$ C
Hermetic seal	<b>NA</b>	Atm.cm3/s
Panel leakage	<b>NA</b>	

**OTHER CHARACTERISTICS**

Assembly instruction **NA**

Others :  
\*VSWR 1.50 maxi

**MECHANICAL CHARACTERISTICS**

Center contact retention		
Axial force – Mating end	<b>18</b>	N mini
Axial force – Opposite end	<b>18</b>	N mini
Torque	<b>2.8</b>	N.cm mini
Recommended torque		
Mating	<b>NA</b>	N.cm
Panel nut	<b>NA</b>	N.cm
Mating life	<b>500</b>	Cycles mini
Weight	<b>10,0000</b>	g

Issue : 0849 B

In the effort to improve our products, we reserve the right to make changes judged to be necessary.

