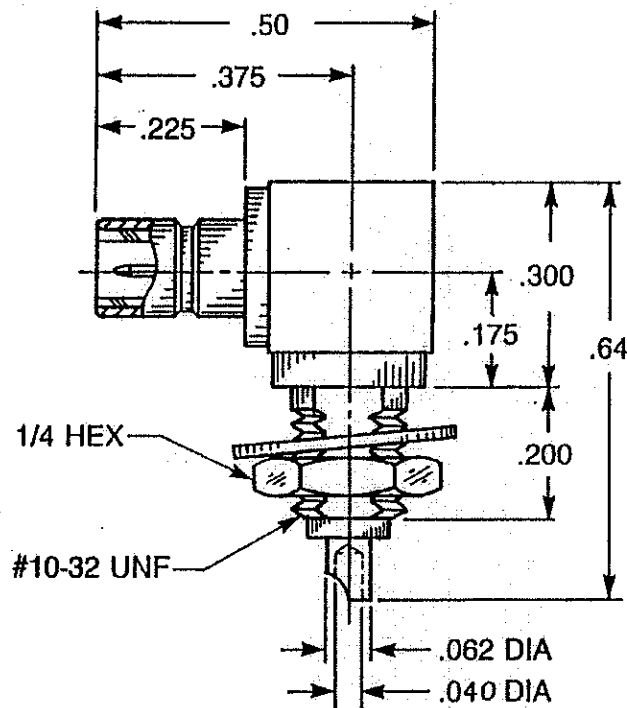


DESIGN SUBJECT TO CHANGE BY A. E. P.



NOTES: CONFORMS TO MIL-C-39012 SMB SERIES.

MATERIAL:

1. INSULATORS = TEFLON VIRGIN WHITE PER ASTM-D-1710.
2. LOCKWASHER = PHOSPHOR BRONZE PER QQ-B-750.
3. ALL OTHER METAL PARTS = BRASS 1/2 HARD PER QQ-B-626 ALLOY 360.

FINISHES:

1. CONTACTS = GOLD PLATE PER MIL-G-45204 TYPE II, CLASS I, GRADE C, OVER COPPER STRIKE PER MIL-C-14550.
2. ALL OTHER METAL PARTS = GOLD PLATE PER MIL-G-45204 TYPE II, CLASS 0, GRADE C, OVER COPPER STRIKE PER MIL-C-14550.

PROPRIETARY INFORMATION
NOT TO BE RELEASED
WITHOUT WRITTEN PERMISSION
FROM AN AUTHORIZED
REPRESENTATIVE OF
APPLIED ENGINEERING PRODUCTS.

MALE SNAP-ON RIGHT ANGLE
BULKHEAD CONNECTOR

APPLIED ENGINEERING PRODUCTS

104 John W. Murphy Drive, P.O. Box 510
New Haven, CT 06513

CODE IDENT. **19505**

2012-1511-000