

DO NOT SCALE FROM THIS PRINT

DESIGNED & DIMENSIONED IN MILLIMETERS [INCHES]

BNC5-J-P-XX-ST-TH2D

SERIES  
BNC 50 OHM

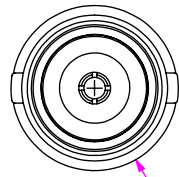
GENDER  
-J: JACK

TYPE  
-P: PCB

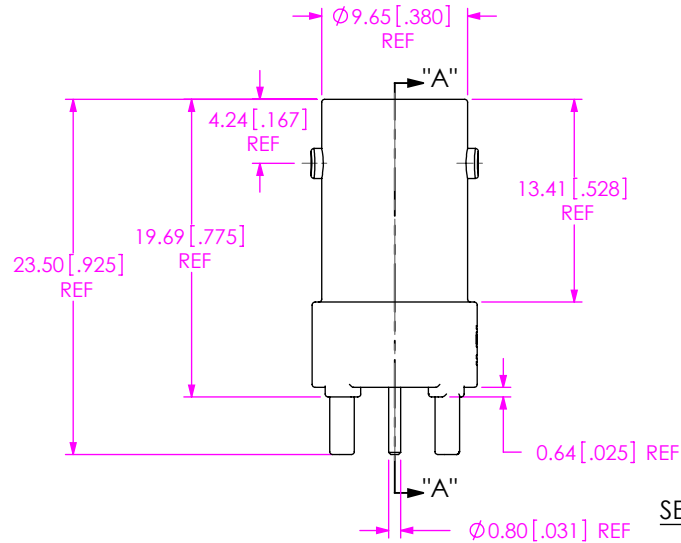
TERMINATION  
-TH2D: DIE CAST THROUGH HOLE

ORIENTATION  
-ST: STRAIGHT

PLATING SPECIFICATION  
-GN: GOLD/NICKEL (SEE NOTES 7 & 8)  
(BNC7T-J-P-DN-ST-TH2-BDY-D)  
(BNC5-J-P-ST-TH2-INS)  
(BNC5-J-P-G-ST-TH2-SKT)

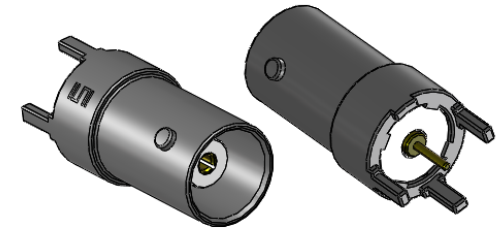
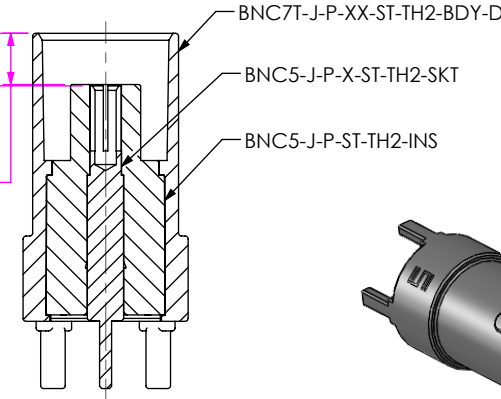


Ø 10.92 [.430]

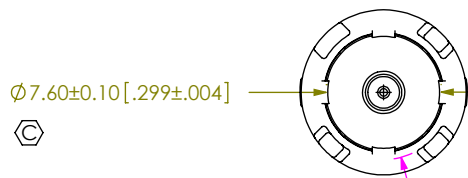


3.48<sup>+0.10</sup><sub>-0.05</sub> [.137<sup>+0.004</sup><sub>-.002</sub>]  
(BODY TO SOCKET)

3.38<sup>+0.10</sup><sub>-0.05</sub> [.133<sup>+0.004</sup><sub>-.002</sub>]  
(BODY TO INSULATOR)



SECTION "A"- "A"



Ø 7.60 ± 0.10 [.299 ± .004]

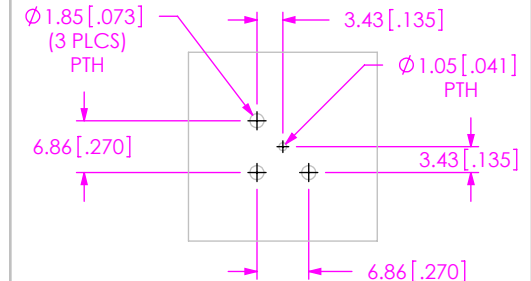


Ø 8.89 [.350] REF

NOTES:

1. Ⓢ REPRESENTS A CRITICAL DIMENSION.
2. PUSHOUT FORCE FOR CENTER CONTACT: 26.69 N [6.0 LB] MIN.
3. PUSHOUT FORCE FOR INSULATOR: 53.38 N [12.0 LB] MIN.
4. SEE CO-HD-WI-3040-M RF PACKAGING FOR PACKAGING INSTRUCTIONS.
5. RoHS COMPLIANT.
6. SEE PLATING STANDARD CO-PL-FRM-7001-M.
7. COMPONENT PLATING DESIGNATIONS:  
-G 0.000010" MIN. GOLD OVER 0.000050" MIN. NICKEL.  
-N: 0.000100" MIN. NICKEL.
8. ASSEMBLY PLATING DESIGNATIONS:  
-GN: (CENTER CONTACT)-G  
(OUTER CONTACT) -N  
(REMAINING METAL PARTS) -N
9. PARTS TO BE PACKAGED IN TRAY TY-BNC001-1 WITH COVER TY-SMA001-2

RECOMMENDED PCB HOLE LAYOUT



**Pb** THIS PRODUCT MANUFACTURED WITH LEAD-FREE PROCESSING

UNLESS OTHERWISE SPECIFIED, DIMENSIONS ARE IN MILLIMETERS.  
TOLERANCES ARE:  
DECIMALS ANGLES  
X.X: ±0.3 5°  
X.XX: ±0.13  
X.XXX: ±0.051

PROPRIETARY NOTE  
THIS DOCUMENT CONTAINS INFORMATION CONFIDENTIAL AND PROPRIETARY TO SAMTEC, INC. AND SHALL NOT BE REPRODUCED OR TRANSFERRED TO OTHER DOCUMENTS OR DISCLOSED TO OTHERS OR USED FOR ANY PURPOSE OTHER THAN THAT WHICH IT WAS OBTAINED WITHOUT THE EXPRESSED WRITTEN CONSENT OF SAMTEC, INC.

MATERIAL: DO NOT SCALE DRAWING SHEET SCALE: 2:1  
SHELL: ZINC  
CONTACT: PHOS BRONZE  
DIELECTRIC: PTFE



520 PARK EAST BLVD., NEW ALBANY, IN 47150  
PHONE: 812-944-6733 FAX: 812-948-5047  
e-Mail: info@SAMTEC.com code 53322

DESCRIPTION:  
50 OHM BNC ELEVATED STRAIGHT JACK  
DWG. NO. BNC5-J-P-XX-ST-TH2D  
BY: ALVIN W 06/02/2010 SHEET 1 OF 1