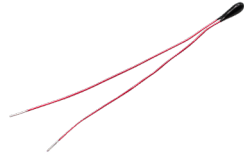


NRSE

Epoxy sealed radial lead NTC thermistor



Product features

- Epoxy sealed radial NTC thermistor
- Temperature sensing, quick response time
- 1.4 millimeter size
- Wide resistance range 1 kΩ to 470 kΩ
- Non-linear change in resistance vs temperature

Packaging information

- Bulk: 500 parts per poly bag

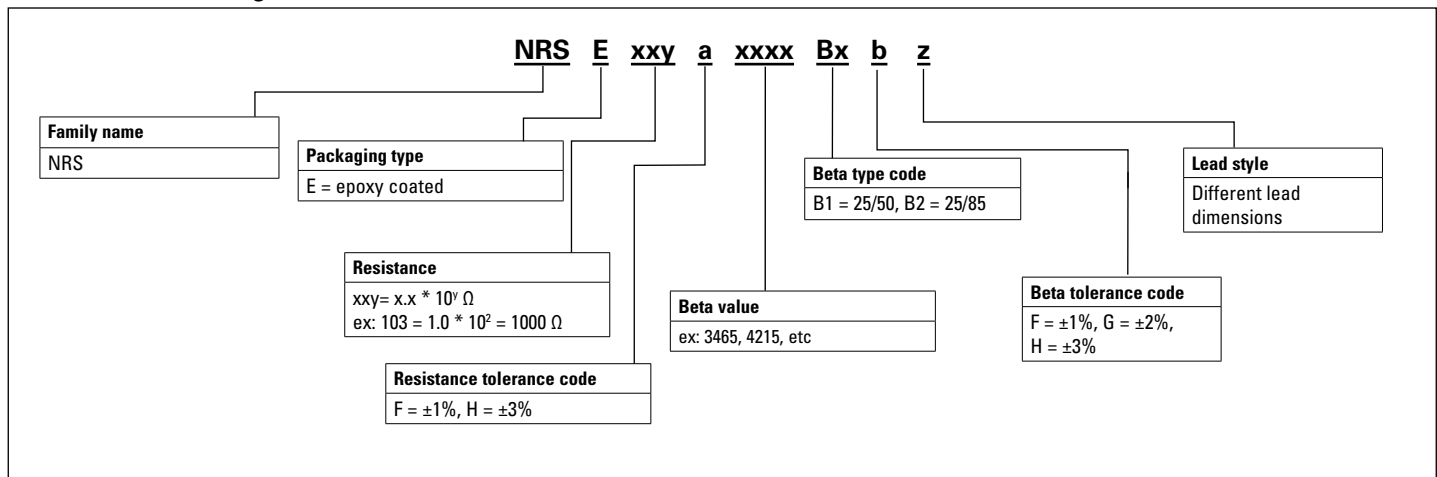
Applications

- Industrial Process Control
- Commercial appliances
- Battery, supercapacitor and energy storage systems
- Uninterruptible power supplies
- Consumer appliances
- Medical devices
- Heating, ventilation and air conditioning, Refrigeration (HVACR)
- Food service equipment
- IoT
- White goods/household appliances
- Computer and peripheral products

Environmental compliance and general specifications

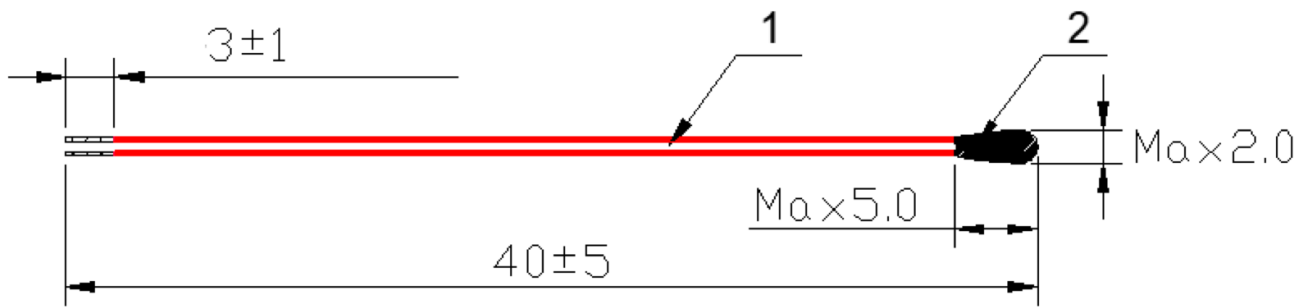


Table 1. Part numbering



See electrical specification table for option details

Mechanical parameters- mm



- 1. Enameled CCS leads with terminals tinned
- 2. Epoxy head

Electrical specifications

Part number	Zero power resistance @ 25°C R ₂₅ (kΩ)	R ₂₅ Tolerance (Part number code)	Beta type (Part number code)	Beta value (K)	Beta tolerance (Part number code)	Maximum power @ +25°C P _{max} (mW)	Dissipation factor (mW/°C)	Thermal time constant T (second)	Operation temperature TL~TU(°C)
NRSE103axxxxBxb	1	±1% (F), ±3% (H)	25/85 (B2)	3435	±2% (G), ±3% (H)	50	≥ 4	≤ 7	-30 to +105
NRSE683axxxxBxb	6.8	±1% (F), ±3% (H)	25/85 (B2)	3470	±2% (G), ±3% (H)	50	≥ 4	≤ 7	-30 to +105
NRSE683axxxxBxb	6.8	±1% (F), ±3% (H)	25/85 (B2)	3975	±2% (G), ±3% (H)	50	≥ 4	≤ 7	-30 to +105
NRSE104axxxxBxb	10	±1% (F), ±3% (H)	25/85 (B2)	3435	±1% (F), ±3% (H)	50	≥ 4	≤ 7	-30 to +105
NRSE104axxxxBxb	10	±1% (F), ±3% (H)	25/85 (B2)	3975	±1% (F), ±3% (H)	50	≥ 4	≤ 7	-30 to +105
NRSE203axxxxBxb	2	±1% (F), ±3% (H)	25/85 (B2)	3435	±1% (F), ±3% (H)	50	≥ 4	≤ 7	-30 to +105
NRSE224axxxxBxb	22	±1% (F), ±3% (H)	25/85 (B2)	3740	±1% (F), ±3% (H)	50	≥ 4	≤ 7	-30 to +105
NRSE334axxxxBxb	33	±1% (F), ±3% (H)	25/85 (B2)	3975	±1% (F), ±3% (H)	50	≥ 4	≤ 7	-30 to +105
NRSE474axxxxBxb	47	±1% (F), ±3% (H)	25/85 (B2)	4090	±1% (F), ±3% (H)	50	≥ 4	≤ 7	-30 to +105
NRSE504axxxxBxb	50	±1% (F), ±3% (H)	25/85 (B2)	3950	±1% (F), ±3% (H)	50	≥ 4	≤ 7	-30 to +105
NRSE504axxxxBxb	50	±1% (F), ±3% (H)	25/85 (B2)	4050	±1% (F), ±3% (H)	50	≥ 4	≤ 7	-30 to +105
NRSE105axxxxBxb	100	±1% (F), ±3% (H)	25/85 (B2)	4000	±1% (F), ±3% (H)	50	≥ 4	≤ 7	-30 to +105
NRSE105axxxxBxb	100	±1% (F), ±3% (H)	25/85 (B2)	4190	±2% (G), ±3% (H)	50	≥ 4	≤ 7	-30 to +105
NRSE105axxxxBxb	100	±1% (F), ±3% (H)	25/85 (B2)	4360	±2% (G), ±3% (H)	50	≥ 4	≤ 7	-30 to +105
NRSE475axxxxBxb	470	±1% (F), ±3% (H)	25/85 (B2)	4570	±2% (G), ±3% (H)	50	≥ 4	≤ 7	-30 to +105
NRSE203axxxxBxb	2	±1% (F), ±3% (H)	25/50 (B1)	3380	±2% (G), ±3% (H)	50	≥ 4	≤ 7	-30 to +105
NRSE503axxxxBxb	5	±1% (F), ±3% (H)	25/50 (B1)	3420	±2% (G), ±3% (H)	50	≥ 4	≤ 7	-30 to +105
NRSE503axxxxBxb	5	±1% (F), ±3% (H)	25/50 (B1)	3900	±2% (G), ±3% (H)	50	≥ 4	≤ 7	-30 to +105
NRSE104axxxxBxb	10	±1% (F), ±3% (H)	25/50 (B1)	3380	±1% (F), ±3% (H)	50	≥ 4	≤ 7	-30 to +105
NRSE104axxxxBxb	10	±1% (F), ±3% (H)	25/50 (B1)	4000	±1% (F), ±3% (H)	50	≥ 4	≤ 7	-30 to +105
NRSE104axxxxBxb	10	±1% (F), ±3% (H)	25/50 (B1)	3950	±1% (F), ±3% (H)	50	≥ 4	≤ 7	-30 to +105
NRSE684axxxxBxb	68	±1% (F), ±3% (H)	25/50 (B1)	3950	±1% (F), ±3% (H)	50	≥ 4	≤ 7	-30 to +105
NRSE224axxxxBxb	22	±1% (F), ±3% (H)	25/50 (B1)	3700	±1% (F), ±3% (H)	50	≥ 4	≤ 7	-30 to +105
NRSE474axxxxBxb	47	±1% (F), ±3% (H)	25/50 (B1)	3950	±1% (F), ±3% (H)	50	≥ 4	≤ 7	-30 to +105
NRSE474axxxxBxb	47	±1% (F), ±3% (H)	25/50 (B1)	4020	±1% (F), ±3% (H)	50	≥ 4	≤ 7	-30 to +105
NRSE105axxxxBxb	100	±1% (F), ±3% (H)	25/50 (B1)	3950	±1% (F), ±3% (H)	50	≥ 4	≤ 7	-30 to +105
NRSE105axxxxBxb	100	±1% (F), ±3% (H)	25/50 (B1)	4120	±2% (G), ±3% (H)	50	≥ 4	≤ 7	-30 to +105
NRSE225axxxxBxb	220	±1% (F), ±3% (H)	25/50 (B1)	4370	±2% (G), ±3% (H)	50	≥ 4	≤ 7	-30 to +105

a= Enter resistance tolerance code from table above (F = ±1%, H = ±3%)

Bx= Enter Beta code from table above (B1 = 25/50, B2 = 25/85)

b= Enter Beta tolerance code from table above (F = ±1%, G = ±2%, H = ±3%)

Temperature characteristics

Part number	NRSE103 3435	NRSE683 3470	NRSE683 3975	NRSE203 3435	NRSE104 3435	NRSE104 3975	NRSE224 3740	NRSE334 3975	NRSE474 4090	NRSE504 3950
B type	B25/85	B25/85	B25/85	B25/85	B25/85	B25/85	B25/85	B25/85	B25/85	B25/85
Temperature (°C)	Resistance (kΩ)	Resistance (kΩ)	Resistance (kΩ)	Resistance (kΩ)	Resistance (kΩ)	Resistance (kΩ)	Resistance (kΩ)	Resistance (kΩ)	Resistance (kΩ)	Resistance (kΩ)
-40	20.08	87.5	162.5	95	325	39.5	575	1116.42	1700	1625
-39	19.14	83.93	153.96	91.71	304.83	37.47	541.35	1045.23	1590.29	1522.75
-38	18.24	80.51	145.89	88.53	286.01	35.55	509.86	978.99	1488.28	1427.54
-37	17.38	77.24	138.27	85.46	268.45	33.74	480.37	917.34	1393.4	1338.83
-36	16.56	74.11	131.06	82.51	252.06	32.03	452.75	859.93	1305.09	1256.14
-35	15.78	71.1	124.25	79.66	236.76	30.41	426.86	806.46	1222.88	1179.05
-34	15.04	68.23	117.81	76.9	222.47	28.88	402.6	756.62	1146.31	1107.13
-33	14.33	65.47	111.72	74.25	209.11	27.43	379.85	710.15	1074.97	1040.02
-32	13.66	62.83	105.96	71.69	196.63	26.05	358.5	666.81	1008.47	977.36
-31	13.01	60.3	100.52	69.22	184.95	24.76	338.48	626.37	946.45	918.84
-30	12.4	57.88	95.37	66.84	174.03	23.53	319.68	588.62	888.6	864.16
-29	11.82	55.56	90.49	64.54	163.82	22.36	302.02	553.36	834.61	813.06
-28	11.26	53.33	85.88	62.32	154.25	21.26	285.44	520.42	784.21	765.27
-27	10.73	51.2	81.52	60.18	145.3	20.22	269.86	489.64	737.13	720.56
-26	10.23	49.16	77.39	58.11	136.91	19.23	255.21	460.85	693.14	678.73
-25	9.75	47.2	73.48	56.12	129.05	18.3	241.44	433.93	652.02	639.56
-24	9.29	45.32	69.77	54.19	121.68	17.41	228.49	408.73	613.57	602.88
-23	8.85	43.52	66.27	52.34	114.78	16.57	216.3	385.14	577.61	568.52
-22	8.44	41.79	62.95	50.54	108.3	15.77	204.83	363.06	543.96	536.31
-21	8.04	40.14	59.81	48.81	102.22	15.02	194.03	342.36	512.45	506.11
-20	7.67	38.55	56.83	47.14	96.51	14.3	183.86	322.97	482.95	477.78
-19	7.31	37.03	54.01	45.53	91.15	13.62	174.28	304.79	455.3	451.21
-18	6.96	35.57	51.34	43.97	86.12	12.98	165.24	287.74	429.4	426.26
-17	6.64	34.17	48.81	42.47	81.4	12.37	156.73	271.74	405.11	402.83
-16	6.33	32.83	46.41	41.02	76.95	11.79	148.7	256.72	382.34	380.83
-15	6.03	31.54	44.13	39.62	72.78	11.24	141.13	242.62	360.97	360.15
-14	5.75	30.31	41.97	38.27	68.85	10.72	133.98	229.37	340.91	340.72
-13	5.49	29.12	39.93	36.96	65.16	10.22	127.23	216.93	322.08	322.44
-12	5.23	27.99	37.99	35.7	61.68	9.75	120.86	205.23	304.4	305.25
-11	4.99	26.9	36.15	34.49	58.41	9.31	114.85	194.23	287.79	289.08
-10	4.76	25.85	34.41	33.31	55.33	8.88	109.16	183.88	272.17	273.85
-9	4.54	24.85	32.75	32.18	52.42	8.48	103.79	174.15	257.49	259.51
-8	4.33	23.89	31.18	31.08	49.69	8.1	98.71	164.98	243.68	246
-7	4.13	22.96	29.69	30.03	47.11	7.73	93.91	156.35	230.69	233.28
-6	3.94	22.08	28.28	29	44.68	7.39	89.37	148.22	218.46	221.28
-5	3.76	21.23	26.94	28.02	42.39	7.06	85.07	140.56	206.95	209.97
-4	3.59	20.41	25.66	27.07	40.23	6.74	81	133.34	196.11	199.3
-3	3.42	19.63	24.45	26.15	38.19	6.45	77.15	126.54	185.9	189.23
-2	3.27	18.88	23.3	25.26	36.27	6.16	73.5	120.12	176.28	179.73
-1	3.12	18.15	22.21	24.4	34.45	5.89	70.05	114.06	167.21	170.76
0	2.98	17.46	21.18	23.57	32.73	5.64	66.78	108.34	158.65	162.29
1	2.85	16.8	20.19	22.77	31.11	5.39	63.67	102.94	150.58	154.29
2	2.72	16.16	19.26	22	29.58	5.16	60.73	97.84	142.96	146.72
3	2.6	15.55	18.37	21.26	28.13	4.94	57.94	93.02	135.78	139.57
4	2.48	14.96	17.52	20.54	26.76	4.73	55.29	88.47	128.99	132.81
5	2.37	14.39	16.72	19.84	25.46	4.53	52.78	84.17	122.58	126.41
6	2.27	13.85	15.96	19.17	24.23	4.34	50.4	80.1	116.52	120.36
7	2.17	13.33	15.23	18.52	23.07	4.16	48.14	76.25	110.8	114.63
8	2.07	12.83	14.54	17.89	21.97	3.98	45.99	72.6	105.39	109.21
9	1.98	12.35	13.89	17.29	20.93	3.82	43.94	69.15	100.27	104.07
10	1.89	11.89	13.26	16.71	19.95	3.66	42	65.89	95.43	99.2
11	1.81	11.45	12.67	16.14	19.01	3.51	40.16	62.8	90.85	94.59
12	1.73	11.02	12.1	15.6	18.13	3.37	38.41	59.87	86.51	90.22
13	1.66	10.62	11.56	15.07	17.29	3.23	36.74	57.09	82.41	86.07
14	1.59	10.22	11.05	14.56	16.49	3.1	35.16	54.46	78.52	82.14
15	1.52	9.85	10.57	14.07	15.74	2.98	33.65	51.96	74.84	78.41
16	1.46	9.48	10.1	13.6	15.02	2.86	32.21	49.59	71.35	74.87
17	1.4	9.14	9.66	13.14	14.34	2.74	30.85	47.35	68.04	71.51
18	1.34	8.8	9.24	12.7	13.7	2.64	29.54	45.21	64.9	68.32

Temperature characteristics, cont.

Part number	NRSE103 3435	NRSE683 3470	NRSE683 3975	NRSE203 3435	NRSE104 3435	NRSE104 3975	NRSE224 3740	NRSE334 3975	NRSE474 4090	NRSE504 3950
B type	B25/85	B25/85	B25/85	B25/85	B25/85	B25/85	B25/85	B25/85	B25/85	B25/85
Temperature (°C)	Resistance (kΩ)	Resistance (kΩ)	Resistance (kΩ)	Resistance (kΩ)	Resistance (kΩ)	Resistance (kΩ)	Resistance (kΩ)	Resistance (kΩ)	Resistance (kΩ)	Resistance (kΩ)
19	1.28	8.48	8.84	12.27	13.09	2.53	28.3	43.19	61.93	65.29
20	1.23	8.17	8.46	11.86	12.5	2.43	27.12	41.27	59.11	62.41
21	1.18	7.88	8.09	11.46	11.95	2.34	26	39.44	56.43	59.67
22	1.13	7.59	7.75	11.08	11.43	2.25	24.93	37.71	53.89	57.07
23	1.09	7.32	7.42	10.7	10.93	2.16	23.9	36.06	51.47	54.59
24	1.04	7.05	7.1	10.35	10.45	2.08	22.93	34.49	49.18	52.24
25	1	6.8	6.8	10	10	2	22	33	47	50
26	0.9603	6.56	6.51	9.67	9.57	1.92	21.11	31.58	44.93	47.87
27	0.9224	6.32	6.24	9.34	9.16	1.85	20.27	30.23	42.96	45.84
28	0.8862	6.1	5.98	9.03	8.77	1.78	19.46	28.95	41.09	43.91
29	0.8517	5.88	5.73	8.73	8.4	1.72	18.69	27.73	39.31	42.07
30	0.8188	5.67	5.49	8.44	8.05	1.65	17.95	26.56	37.62	40.32
31	0.7873	5.47	5.27	8.16	7.71	1.59	17.25	25.45	36.01	38.65
32	0.7573	5.28	5.05	7.89	7.39	1.54	16.57	24.4	34.48	37.06
33	0.7287	5.1	4.85	7.62	7.09	1.48	15.93	23.39	33.02	35.54
34	0.7013	4.92	4.65	7.37	6.8	1.43	15.32	22.43	31.63	34.09
35	0.6752	4.75	4.46	7.13	6.52	1.38	14.73	21.52	30.3	32.71
36	0.6502	4.58	4.28	6.89	6.25	1.33	14.17	20.64	29.04	31.4
37	0.6263	4.43	4.11	6.66	6	1.28	13.63	19.81	27.84	30.14
38	0.6035	4.27	3.95	6.44	5.76	1.23	13.12	19.02	26.69	28.94
39	0.5817	4.13	3.79	6.23	5.53	1.19	12.63	18.26	25.6	27.8
40	0.5608	3.99	3.64	6.03	5.31	1.15	12.15	17.54	24.56	26.7
41	0.5409	3.85	3.5	5.83	5.1	1.11	11.7	16.84	23.56	25.66
42	0.5218	3.72	3.36	5.64	4.9	1.07	11.27	16.18	22.62	24.66
43	0.5036	3.59	3.23	5.45	4.71	1.04	10.86	15.55	21.71	23.7
44	0.4861	3.47	3.1	5.27	4.53	1	10.46	14.95	20.85	22.79
45	0.4693	3.36	2.98	5.1	4.35	0.9668	10.08	14.37	20.02	21.92
46	0.4533	3.24	2.87	4.94	4.19	0.9345	9.72	13.82	19.23	21.09
47	0.438	3.14	2.76	4.78	4.03	0.9034	9.37	13.3	18.48	20.29
48	0.4233	3.03	2.66	4.62	3.87	0.8736	9.04	12.79	17.76	19.52
49	0.4092	2.93	2.56	4.47	3.73	0.8449	8.72	12.31	17.07	18.79
50	0.3957	2.84	2.46	4.33	3.59	0.8173	8.41	11.85	16.42	18.09
51	0.3827	2.74	2.37	4.19	3.45	0.7908	8.11	11.41	15.79	17.43
52	0.3703	2.65	2.28	4.05	3.33	0.7653	7.83	10.99	15.19	16.78
53	0.3584	2.57	2.2	3.92	3.2	0.7408	7.56	10.58	14.61	16.17
54	0.347	2.48	2.11	3.8	3.09	0.7173	7.3	10.19	14.06	15.58
55	0.336	2.4	2.04	3.67	2.97	0.6946	7.05	9.82	13.53	15.02
56	0.3255	2.33	1.96	3.56	2.87	0.6728	6.81	9.47	13.03	14.48
57	0.3154	2.25	1.89	3.44	2.76	0.6518	6.58	9.13	12.55	13.96
58	0.3057	2.18	1.82	3.34	2.66	0.6315	6.35	8.8	12.08	13.46
59	0.2963	2.11	1.76	3.23	2.57	0.6121	6.14	8.49	11.64	12.98
60	0.2874	2.05	1.7	3.13	2.48	0.5933	5.94	8.19	11.22	12.53
61	0.2788	1.98	1.64	3.03	2.39	0.5753	5.74	7.9	10.81	12.09
62	0.2705	1.92	1.58	2.93	2.31	0.5579	5.55	7.62	10.42	11.67
63	0.2625	1.86	1.52	2.84	2.23	0.5411	5.37	7.36	10.05	11.26
64	0.2549	1.8	1.47	2.75	2.15	0.525	5.19	7.1	9.69	10.88
65	0.2475	1.75	1.42	2.67	2.08	0.5094	5.02	6.86	9.34	10.5
66	0.2404	1.69	1.37	2.59	2	0.4944	4.86	6.62	9.01	10.14
67	0.2336	1.64	1.32	2.51	1.94	0.4799	4.7	6.4	8.7	9.8
68	0.227	1.59	1.28	2.43	1.87	0.4659	4.55	6.18	8.39	9.47
69	0.2207	1.55	1.23	2.35	1.81	0.4525	4.41	5.97	8.1	9.15
70	0.2146	1.5	1.19	2.28	1.75	0.4395	4.27	5.77	7.82	8.85
71	0.2087	1.45	1.15	2.21	1.69	0.4269	4.13	5.58	7.55	8.55
72	0.203	1.41	1.11	2.14	1.63	0.4148	4.01	5.39	7.3	8.27
73	0.1976	1.37	1.08	2.08	1.58	0.4031	3.88	5.21	7.05	8
74	0.1923	1.33	1.04	2.02	1.53	0.3919	3.76	5.04	6.81	7.74
75	0.1872	1.29	1.01	1.96	1.48	0.381	3.64	4.88	6.58	7.49
76	0.1823	1.25	0.974	1.9	1.43	0.3704	3.53	4.72	6.36	7.24
77	0.1776	1.22	0.9424	1.84	1.38	0.3603	3.43	4.57	6.15	7.01

Temperature characteristics, cont.

Part number	NRSE103 3435	NRSE683 3470	NRSE683 3975	NRSE203 3435	NRSE104 3435	NRSE104 3975	NRSE224 3740	NRSE334 3975	NRSE474 4090	NRSE504 3950
B type	B25/85	B25/85	B25/85	B25/85	B25/85	B25/85	B25/85	B25/85	B25/85	B25/85
Temperature (°C)	Resistance (kΩ)	Resistance (kΩ)	Resistance (kΩ)	Resistance (kΩ)	Resistance (kΩ)	Resistance (kΩ)	Resistance (kΩ)	Resistance (kΩ)	Resistance (kΩ)	Resistance (kΩ)
78	0.1730	1.18	0.9120	1.79	1.34	0.3504	3.32	4.42	5.95	6.79
79	0.1686	1.15	0.8827	1.73	1.30	0.3409	3.22	4.28	5.75	6.57
80	0.1643	1.12	0.8545	1.68	1.26	0.3318	3.12	4.14	5.56	6.36
81	0.1602	1.08	0.8274	1.63	1.22	0.3229	3.03	4.01	5.38	6.16
82	0.1562	1.05	0.8013	1.59	1.18	0.3143	2.94	3.89	5.21	5.97
83	0.1524	1.02	0.7761	1.54	1.14	0.3060	2.85	3.77	5.04	5.79
84	0.1487	0.9952	0.7519	1.49	1.11	0.2980	2.77	3.65	4.88	5.61
85	0.1451	0.9676	0.7286	1.45	1.07	0.2902	2.69	3.54	4.72	5.43
86	0.1416	0.9410	0.7061	1.41	1.04	0.2827	2.61	3.43	4.57	5.27
87	0.1383	0.9152	0.6845	1.37	1.01	0.2754	2.54	3.32	4.43	5.11
88	0.1350	0.8903	0.6636	1.33	0.9764	0.2684	2.46	3.22	4.29	4.95
89	0.1319	0.8661	0.6435	1.29	0.9470	0.2615	2.39	3.12	4.15	4.80
90	0.1288	0.8428	0.6241	1.26	0.9185	0.2549	2.32	3.03	4.02	4.66
91	0.1259	0.8203	0.6054	1.22	0.8911	0.2486	2.26	2.94	3.90	4.52
92	0.1230	0.7984	0.5874	1.19	0.8647	0.2424	2.20	2.85	3.78	4.38
93	0.1202	0.7773	0.5700	1.15	0.8391	0.2364	2.13	2.77	3.66	4.25
94	0.1176	0.7568	0.5532	1.12	0.8145	0.2305	2.07	2.68	3.55	4.13
95	0.1150	0.7370	0.5370	1.09	0.7907	0.2249	2.02	2.61	3.45	4.01
96	0.1124	0.7179	0.5214	1.06	0.7678	0.2194	1.96	2.53	3.34	3.89
97	0.1100	0.6993	0.5063	1.03	0.7456	0.2141	1.91	2.46	3.24	3.78
98	0.1076	0.6813	0.4918	1.00	0.7242	0.2090	1.86	2.39	3.14	3.67
99	0.1053	0.6639	0.4777	0.9775	0.7035	0.2040	1.81	2.32	3.05	3.57
100	0.1031	0.6470	0.4641	0.9513	0.6835	0.1992	1.76	2.25	2.96	3.46
101	0.1009	0.6307	0.4510	0.9260	0.6641	0.1945	1.71	2.19	2.87	3.37
102	0.0988	0.6149	0.4384	0.9014	0.6455	0.1900	1.66	2.12	2.79	3.27
103	0.0968	0.5995	0.4261	0.8777	0.6274	0.1856	1.62	2.07	2.71	3.18
104	0.0948	0.5846	0.4143	0.8547	0.6100	0.1813	1.58	2.01	2.63	3.09
105	0.0929	0.5702	0.4029	0.8324	0.5931	0.1771	1.54	1.95	2.56	3.00

Temperature characteristics

Part number	NRSE504 4050	NRSE105 4000	NRSE105 4190	NRSE105 4360	NRSE475 4570	NRSE203 3380	NRSE503 3420	NRSE503 3900	NRSE104 3380	NRSE104 4000
B type	B25/85	B25/85	B25/85	B25/85	B25/85	B25/50	B25/50	B25/50	B25/50	B25/50
Temperature (°C)	Resistance (kΩ)	Resistance (kΩ)	Resistance (kΩ)	Resistance (kΩ)	Resistance (kΩ)	Resistance (kΩ)	Resistance (kΩ)	Resistance (kΩ)	Resistance (kΩ)	Resistance (kΩ)
-40	1625	3100	3300	3600	25000	39.8	90	160	195	325
-39	1524.57	2910.56	3098.57	3377.19	23222.29	37.69	85.53	150.08	184.63	305.06
-38	1430.87	2733.69	2910.37	3169.14	21580.95	35.71	81.3	140.82	174.87	286.45
-37	1343.41	2568.5	2734.47	2974.79	20064.79	33.84	77.3	132.19	165.67	269.05
-36	1261.75	2414.17	2570.02	2793.19	18663.62	32.07	73.5	124.13	157.01	252.8
-35	1185.48	2269.93	2416.23	2623.47	17368.12	30.41	69.91	116.6	148.84	237.61
-34	1114.21	2135.07	2272.35	2464.78	16169.77	28.84	66.5	109.57	141.14	223.4
-33	1047.59	2008.93	2137.7	2316.37	15060.77	27.36	63.28	103	133.89	210.11
-32	985.3	1890.9	2011.65	2177.54	14034.01	25.96	60.22	96.86	127.04	197.67
-31	927.03	1780.43	1893.63	2047.63	13082.95	24.64	57.32	91.12	120.58	186.03
-30	872.52	1677	1783.07	1926.02	12201.63	23.39	54.58	85.75	114.48	175.13
-29	821.48	1580.12	1679.48	1812.16	11384.57	22.21	51.97	80.72	108.73	164.93
-28	773.7	1489.35	1582.39	1705.51	10626.74	21.1	49.5	76.02	103.29	155.36
-27	728.95	1404.26	1491.36	1605.61	9923.56	20.05	47.16	71.61	98.15	146.4
-26	687.01	1324.49	1405.99	1511.98	9270.8	19.05	44.93	67.49	93.3	138
-25	647.7	1249.66	1325.9	1424.22	8664.58	18.11	42.82	63.62	88.71	130.12
-24	610.85	1179.46	1250.74	1341.93	8101.35	17.22	40.82	60	84.38	122.73
-23	576.28	1113.57	1180.2	1264.74	7577.84	16.38	38.92	56.6	80.28	115.8
-22	543.84	1051.7	1113.95	1192.33	7091.04	15.58	37.11	53.41	76.39	109.29
-21	513.4	993.6	1051.74	1124.38	6638.19	14.83	35.4	50.42	72.72	103.18
-20	484.82	939.01	993.29	1060.59	6216.75	14.11	33.77	47.61	69.25	97.44
-19	457.98	887.7	938.35	1000.7	5824.38	13.44	32.22	44.98	65.96	92.04
-18	432.77	839.47	886.71	944.44	5458.93	12.8	30.75	42.5	62.84	86.98
-17	409.07	794.11	838.15	891.6	5118.42	12.19	29.36	40.18	59.88	82.21
-16	386.79	751.44	792.48	841.93	4801	11.62	28.03	37.99	57.09	77.74
-15	365.84	711.28	749.5	795.25	4505.01	11.07	26.77	35.93	54.43	73.52
-14	346.14	673.48	709.06	751.36	4228.89	10.56	25.57	34	51.92	69.56
-13	327.59	637.88	670.98	710.08	3971.19	10.07	24.42	32.18	49.53	65.83
-12	310.14	604.36	635.13	671.25	3730.6	9.6	23.34	30.47	47.27	62.32
-11	293.7	572.77	601.36	634.7	3505.91	9.16	22.31	28.86	45.12	59.01
-10	278.23	542.99	569.54	600.31	3295.96	8.74	21.32	27.34	43.08	55.9
-9	263.64	514.92	539.56	567.93	3099.73	8.35	20.39	25.92	41.15	52.96
-8	249.9	488.45	511.29	537.44	2916.25	7.97	19.5	24.57	39.31	50.2
-7	236.94	463.47	484.63	508.71	2744.63	7.61	18.65	23.3	37.56	47.59
-6	224.73	439.9	459.49	481.65	2584.03	7.27	17.84	22.1	35.9	45.13
-5	213.2	417.65	435.77	456.14	2433.7	6.95	17.07	20.98	34.33	42.81
-4	202.33	396.65	413.38	432.1	2292.93	6.64	16.34	19.91	32.83	40.62
-3	192.07	376.81	392.25	409.42	2161.07	6.35	15.64	18.91	31.4	38.56
-2	182.38	358.06	372.29	388.04	2037.5	6.07	14.98	17.96	30.05	36.61
-1	173.23	340.35	353.45	367.87	1921.66	5.81	14.34	17.06	28.76	34.77
0	164.58	323.6	335.65	348.83	1813.03	5.56	13.74	16.22	27.53	33.03
1	156.41	307.76	318.82	330.86	1711.12	5.32	13.16	15.42	26.36	31.38
2	148.69	292.78	302.92	313.9	1615.49	5.09	12.61	14.66	25.25	29.83
3	141.39	278.61	287.88	297.88	1525.72	4.88	12.09	13.95	24.19	28.36
4	134.49	265.2	273.67	282.74	1441.42	4.67	11.59	13.27	23.18	26.97
5	127.96	252.5	260.22	268.45	1362.23	4.48	11.11	12.63	22.22	25.66
6	121.78	240.48	247.49	254.93	1287.81	4.29	10.66	12.03	21.3	24.42
7	115.93	229.09	235.44	242.16	1217.86	4.11	10.22	11.46	20.43	23.24
8	110.39	218.3	224.04	230.09	1152.08	3.94	9.81	10.91	19.59	22.13
9	105.14	208.07	213.25	218.66	1090.2	3.78	9.41	10.4	18.8	21.07
10	100.17	198.37	203.02	207.86	1031.98	3.63	9.03	9.91	18.04	20.07
11	95.47	189.18	193.33	197.64	977.17	3.48	8.67	9.45	17.32	19.13
12	91	180.46	184.15	187.96	925.57	3.34	8.33	9.02	16.63	18.23
13	86.77	172.19	175.45	178.81	876.96	3.21	8	8.6	15.97	17.38
14	82.76	164.33	167.2	170.13	831.17	3.08	7.68	8.21	15.34	16.57
15	78.95	156.88	159.38	161.92	788.01	2.96	7.38	7.84	14.73	15.81
16	75.34	149.81	151.96	154.14	747.32	2.84	7.09	7.48	14.16	15.08
17	71.91	143.08	144.92	146.77	708.95	2.73	6.82	7.15	13.61	14.4
18	68.66	136.7	138.24	139.78	672.75	2.62	6.55	6.83	13.09	13.74

Temperature characteristics, cont.

Part number	NRSE504 4050	NRSE105 4000	NRSE105 4190	NRSE105 4360	NRSE475 4570	NRSE203 3380	NRSE503 3420	NRSE503 3900	NRSE104 3380	NRSE104 4000
B type	B25/85	B25/85	B25/85	B25/85	B25/85	B25/50	B25/50	B25/50	B25/50	B25/50
Temperature (°C)	Resistance (kΩ)	Resistance (kΩ)	Resistance (kΩ)	Resistance (kΩ)	Resistance (kΩ)	Resistance (kΩ)	Resistance (kΩ)	Resistance (kΩ)	Resistance (kΩ)	Resistance (kΩ)
19	65.57	130.63	131.9	133.16	638.59	2.52	6.3	6.53	12.58	13.12
20	62.63	124.87	125.87	126.88	606.34	2.42	6.06	6.24	12.1	12.53
21	59.84	119.38	120.16	120.93	575.89	2.33	5.83	5.97	11.65	11.97
22	57.19	114.17	114.73	115.28	547.13	2.24	5.61	5.71	11.21	11.44
23	54.67	109.21	109.57	109.92	519.96	2.16	5.4	5.46	10.79	10.94
24	52.28	104.49	104.66	104.83	494.28	2.08	5.19	5.22	10.38	10.46
25	50	100	100	100	470	2	5	5	10	10
26	47.83	95.73	95.57	95.41	447.04	1.93	4.81	4.79	9.63	9.57
27	45.77	91.66	91.35	91.06	425.33	1.85	4.64	4.58	9.28	9.15
28	43.81	87.78	87.34	86.92	404.78	1.79	4.47	4.39	8.94	8.76
29	41.94	84.09	83.53	82.99	385.33	1.72	4.3	4.21	8.62	8.39
30	40.16	80.57	79.9	79.26	366.92	1.66	4.15	4.03	8.31	8.03
31	38.47	77.21	76.45	75.71	349.48	1.6	4	3.87	8.01	7.69
32	36.85	74.02	73.16	72.34	332.96	1.54	3.85	3.71	7.72	7.37
33	35.31	70.97	70.02	69.13	317.31	1.49	3.71	3.56	7.45	7.06
34	33.85	68.06	67.04	66.07	302.47	1.44	3.58	3.41	7.19	6.77
35	32.45	65.29	64.2	63.17	288.41	1.39	3.46	3.27	6.94	6.49
36	31.12	62.64	61.49	60.41	275.07	1.34	3.33	3.14	6.69	6.22
37	29.85	60.12	58.91	57.78	262.42	1.29	3.22	3.02	6.46	5.97
38	28.63	57.71	56.45	55.27	250.42	1.25	3.1	2.9	6.24	5.72
39	27.47	55.41	54.1	52.89	239.02	1.2	3	2.78	6.03	5.49
40	26.37	53.21	51.86	50.62	228.2	1.16	2.89	2.68	5.82	5.27
41	25.32	51.11	49.73	48.46	217.93	1.12	2.79	2.57	5.62	5.06
42	24.31	49.1	47.69	46.4	208.18	1.09	2.7	2.47	5.43	4.86
43	23.35	47.18	45.75	44.43	198.91	1.05	2.61	2.38	5.25	4.67
44	22.43	45.35	43.89	42.56	190.1	1.01	2.52	2.29	5.08	4.48
45	21.55	43.6	42.12	40.78	181.72	0.9809	2.43	2.2	4.91	4.31
46	20.71	41.92	40.43	39.08	173.76	0.9487	2.35	2.12	4.75	4.14
47	19.91	40.32	38.81	37.45	166.19	0.9178	2.28	2.04	4.59	3.98
48	19.14	38.78	37.27	35.91	158.98	0.8881	2.2	1.96	4.44	3.83
49	18.41	37.32	35.79	34.43	152.13	0.8595	2.13	1.89	4.3	3.68
50	17.71	35.91	34.38	33.02	145.6	0.832	2.06	1.82	4.16	3.54
51	17.03	34.57	33.04	31.68	139.39	0.8056	1.99	1.75	4.03	3.41
52	16.39	33.28	31.75	30.39	133.47	0.7801	1.93	1.69	3.9	3.28
53	15.78	32.05	30.52	29.16	127.84	0.7556	1.87	1.63	3.78	3.16
54	15.19	30.86	29.34	27.99	122.47	0.7321	1.81	1.57	3.66	3.04
55	14.62	29.73	28.21	26.87	117.35	0.7094	1.75	1.51	3.54	2.93
56	14.08	28.65	27.13	25.81	112.48	0.6875	1.69	1.46	3.43	2.82
57	13.57	27.61	26.1	24.78	107.83	0.6665	1.64	1.41	3.33	2.72
58	13.07	26.61	25.11	23.81	103.4	0.6462	1.59	1.36	3.22	2.62
59	12.6	25.65	24.17	22.87	99.17	0.6266	1.54	1.31	3.12	2.52
60	12.14	24.74	23.26	21.98	95.13	0.6078	1.49	1.26	3.03	2.43
61	11.7	23.86	22.39	21.13	91.28	0.5896	1.45	1.22	2.94	2.35
62	11.28	23.01	21.56	20.31	87.61	0.5721	1.4	1.18	2.85	2.26
63	10.88	22.2	20.76	19.53	84.1	0.5553	1.36	1.14	2.76	2.18
64	10.5	21.43	20	18.78	80.75	0.539	1.32	1.1	2.68	2.11
65	10.13	20.68	19.27	18.06	77.54	0.5233	1.28	1.06	2.6	2.03
66	9.77	19.96	18.57	17.38	74.49	0.5081	1.24	1.03	2.52	1.96
67	9.43	19.28	17.9	16.72	71.56	0.4935	1.2	0.9909	2.45	1.89
68	9.1	18.61	17.25	16.1	68.77	0.4794	1.17	0.9579	2.38	1.83
69	8.79	17.98	16.63	15.49	66.1	0.4658	1.13	0.9262	2.31	1.77
70	8.49	17.37	16.04	14.92	63.55	0.4526	1.1	0.8958	2.24	1.71
71	8.2	16.78	15.47	14.36	61.11	0.4399	1.07	0.8665	2.18	1.65
72	7.92	16.22	14.92	13.84	58.77	0.4277	1.04	0.8384	2.12	1.59
73	7.65	15.68	14.4	13.33	56.53	0.4158	1.01	0.8113	2.06	1.54
74	7.4	15.16	13.89	12.84	54.39	0.4044	0.9789	0.7852	2	1.49
75	7.15	14.65	13.41	12.37	52.35	0.3933	0.9511	0.7601	1.94	1.44
76	6.91	14.17	12.94	11.93	50.39	0.3826	0.9243	0.736	1.89	1.39
77	6.68	13.71	12.5	11.5	48.51	0.3722	0.8983	0.7128	1.84	1.35

Temperature characteristics, cont.

Part number	NRSE504 4050	NRSE105 4000	NRSE105 4190	NRSE105 4360	NRSE475 4570	NRSE203 3380	NRSE503 3420	NRSE503 3900	NRSE104 3380	NRSE104 4000
B type	B25/85	B25/85	B25/85	B25/85	B25/85	B25/50	B25/50	B25/50	B25/50	B25/50
Temperature (°C)	Resistance (kΩ)	Resistance (kΩ)	Resistance (kΩ)	Resistance (kΩ)	Resistance (kΩ)	Resistance (kΩ)	Resistance (kΩ)	Resistance (kΩ)	Resistance (kΩ)	Resistance (kΩ)
78	6.46	13.26	12.07	11.09	46.71	0.3622	0.8733	0.6904	1.79	1.3
79	6.25	12.83	11.66	10.69	44.99	0.3526	0.849	0.6688	1.74	1.26
80	6.05	12.42	11.26	10.31	43.34	0.3432	0.8256	0.6481	1.69	1.22
81	5.85	12.02	10.88	9.95	41.75	0.3342	0.8029	0.6281	1.64	1.18
82	5.66	11.63	10.51	9.6	40.24	0.3254	0.781	0.6088	1.6	1.14
83	5.48	11.26	10.16	9.26	38.78	0.3169	0.7599	0.5902	1.56	1.11
84	5.3	10.91	9.82	8.94	37.39	0.3087	0.7394	0.5723	1.51	1.07
85	5.14	10.57	9.5	8.63	36.05	0.3008	0.7195	0.555	1.47	1.04
86	4.97	10.23	9.18	8.33	34.77	0.2931	0.7003	0.5384	1.44	1.01
87	4.82	9.92	8.88	8.05	33.53	0.2856	0.6818	0.5223	1.4	0.9746
88	4.67	9.61	8.59	7.77	32.35	0.2784	0.6638	0.5068	1.36	0.9445
89	4.52	9.31	8.31	7.51	31.22	0.2714	0.6464	0.4919	1.33	0.9156
90	4.38	9.03	8.04	7.25	30.13	0.2646	0.6296	0.4775	1.29	0.8877
91	4.25	8.75	7.78	7.01	29.08	0.2581	0.6132	0.4635	1.26	0.8608
92	4.12	8.48	7.53	6.78	28.08	0.2517	0.5975	0.4501	1.23	0.8349
93	3.99	8.23	7.29	6.55	27.11	0.2455	0.5821	0.4371	1.19	0.8098
94	3.87	7.98	7.06	6.33	26.18	0.2396	0.5673	0.4246	1.16	0.7857
95	3.75	7.74	6.84	6.12	25.29	0.2338	0.553	0.4125	1.14	0.7624
96	3.64	7.51	6.62	5.92	24.44	0.2281	0.539	0.4008	1.11	0.7399
97	3.53	7.29	6.42	5.73	23.61	0.2227	0.5255	0.3895	1.08	0.7182
98	3.43	7.07	6.22	5.54	22.82	0.2174	0.5125	0.3786	1.05	0.6972
99	3.33	6.87	6.02	5.36	22.06	0.2123	0.4998	0.368	1.03	0.677
100	3.23	6.67	5.84	5.19	21.33	0.2073	0.4875	0.3578	1	0.6575
101	3.13	6.47	5.66	5.02	20.62	0.2024	0.4756	0.3479	0.977	0.6386
102	3.04	6.29	5.48	4.86	19.94	0.1977	0.464	0.3384	0.9533	0.6204
103	2.95	6.1	5.32	4.71	19.29	0.1932	0.4528	0.3292	0.9303	0.6027
104	2.87	5.93	5.16	4.56	18.66	0.1887	0.4419	0.3202	0.9079	0.5857
105	2.79	5.76	5	4.42	18.06	0.1844	0.4313	0.3116	0.8863	0.5693

Temperature characteristics

Part number	NRSE104 3950	NRSE224 3700	NRSE474 3950	NRSE474 4020	NRSE684 3950	NRSE105 3950	NRSE105 4120	NRSE225 4370
B type	B25/50	B25/50	B25/50	B25/50	B25/50	B25/50	B25/50	B25/50
Temperature (°C)	Resistance (kΩ)	Resistance (kΩ)	Resistance (kΩ)	Resistance (kΩ)	Resistance (kΩ)	Resistance (kΩ)	Resistance (kΩ)	Resistance (kΩ)
-40	325	2056.32	565	1580	1600	3000	3250	8728.94
-39	304.83	1932.46	532.21	1479.56	1499.17	2819.84	3053.32	8171.87
-38	286.01	1816.68	501.51	1386.1	1405.24	2651.4	2869.42	7652.85
-37	268.46	1708.42	472.73	1299.09	1317.7	2493.87	2697.43	7169.11
-36	252.07	1607.15	445.77	1218.04	1236.08	2346.48	2536.52	6718.12
-35	236.77	1512.4	420.48	1142.52	1159.96	2208.54	2385.94	6297.51
-34	222.48	1423.7	396.77	1072.13	1088.94	2079.41	2244.97	5905.11
-33	209.12	1340.65	374.51	1006.48	1022.65	1958.46	2112.96	5538.92
-32	196.64	1262.86	353.63	945.23	960.75	1845.16	1989.31	5197.08
-31	184.96	1189.97	334.02	888.07	902.93	1738.98	1873.45	4877.85
-30	174.04	1121.66	315.6	834.7	848.9	1639.44	1764.86	4579.66
-29	163.83	1057.61	298.3	784.84	798.4	1546.09	1663.05	4301.03
-28	154.26	997.53	282.04	738.25	751.17	1458.53	1567.57	4040.59
-27	145.31	941.17	266.75	694.69	706.99	1376.36	1478	3797.08
-26	136.92	888.28	252.37	653.96	665.64	1299.23	1393.95	3569.34
-25	129.06	838.62	238.84	615.85	626.94	1226.81	1315.06	3356.26
-24	121.69	791.99	226.12	580.18	590.69	1158.78	1240.99	3156.86
-23	114.78	748.18	214.13	546.79	556.74	1094.87	1171.43	2970.19
-22	108.3	707.02	202.85	515.51	524.92	1034.8	1106.07	2795.39
-21	102.22	668.32	192.22	486.2	495.09	978.32	1044.66	2631.66
-20	96.52	631.94	182.21	458.72	467.11	925.21	986.93	2478.25
-19	91.16	597.72	172.77	432.96	440.87	875.25	932.66	2334.46
-18	86.13	565.53	163.87	408.79	416.24	828.23	881.61	2199.66
-17	81.4	535.23	155.47	386.11	393.12	783.97	833.58	2073.24
-16	76.96	506.7	147.55	364.81	371.4	742.3	788.39	1954.64
-15	72.78	479.84	140.08	344.82	351.01	703.05	745.85	1843.36
-14	68.86	454.53	133.03	326.03	331.84	666.07	705.8	1738.91
-13	65.16	430.69	126.36	308.38	313.82	631.22	668.08	1640.85
-12	61.69	408.22	120.07	291.78	296.88	598.37	632.55	1548.75
-11	58.41	387.03	114.13	276.17	280.94	567.39	599.06	1462.23
-10	55.33	367.05	108.51	261.49	265.94	538.17	567.5	1380.93
-9	52.43	348.19	103.19	247.66	251.83	510.59	537.75	1304.51
-8	49.69	330.41	98.17	234.65	238.54	484.57	509.69	1232.66
-7	47.12	313.62	93.42	222.4	226.02	460	483.22	1165.09
-6	44.69	297.76	88.92	210.86	214.23	436.81	458.24	1101.53
-5	42.4	282.79	84.66	199.98	203.11	414.89	434.67	1041.71
-4	40.23	268.64	80.63	189.72	192.63	394.19	412.42	985.41
-3	38.19	255.28	76.82	180.05	182.75	374.62	391.4	932.4
-2	36.27	242.64	73.2	170.93	173.43	356.11	371.56	882.49
-1	34.45	230.7	69.78	162.32	164.63	338.62	352.81	835.46
0	32.73	219.4	66.53	154.19	156.32	322.07	335.09	791.15
1	31.11	208.71	63.45	146.52	148.48	306.41	318.34	749.39
2	29.58	198.59	60.53	139.27	141.08	291.59	302.5	710.02
3	28.13	189.02	57.76	132.42	134.08	277.56	287.53	672.9
4	26.76	179.96	55.13	125.94	127.47	264.28	273.36	637.88
5	25.46	171.37	52.64	119.82	121.22	251.69	259.96	604.84
6	24.23	163.24	50.27	114.03	115.31	239.77	247.27	573.66
7	23.07	155.53	48.02	108.56	109.71	228.48	235.26	544.22
8	21.98	148.23	45.88	103.37	104.42	217.77	223.89	516.43
9	20.93	141.31	43.85	98.47	99.42	207.61	213.12	490.18
10	19.95	134.74	41.93	93.82	94.68	197.98	202.92	465.38
11	19.02	128.51	40.09	89.42	90.19	188.84	193.25	441.95
12	18.13	122.6	38.35	85.25	85.93	180.18	184.08	419.81
13	17.29	117	36.69	81.3	81.9	171.95	175.4	398.87
14	16.5	111.67	35.11	77.55	78.09	164.13	167.16	379.07
15	15.74	106.62	33.61	74	74.47	156.72	159.35	360.34
16	15.02	101.82	32.18	70.63	71.03	149.67	151.94	342.62
17	14.34	97.26	30.82	67.43	67.77	142.97	144.9	325.85
18	13.7	92.93	29.52	64.39	64.68	136.61	138.23	309.98

Temperature characteristics, cont.

Part number	NRSE104 3950	NRSE224 3700	NRSE474 3950	NRSE474 4020	NRSE684 3950	NRSE105 3950	NRSE105 4120	NRSE225 4370
B type	B25/50	B25/50	B25/50	B25/50	B25/50	B25/50	B25/50	B25/50
Temperature (°C)	Resistance (kΩ)	Resistance (kΩ)	Resistance (kΩ)	Resistance (kΩ)	Resistance (kΩ)	Resistance (kΩ)	Resistance (kΩ)	Resistance (kΩ)
19	13.09	88.81	28.29	61.51	61.75	130.56	131.89	294.95
20	12.5	84.89	27.11	58.78	58.97	124.81	125.87	280.72
21	11.95	81.17	25.99	56.18	56.32	119.35	120.16	267.24
22	11.43	77.63	24.92	53.7	53.81	114.14	114.73	254.46
23	10.93	74.26	23.9	51.36	51.42	109.19	109.57	242.36
24	10.45	71.05	22.93	49.12	49.16	104.48	104.66	230.88
25	10	68	22	47	47	100	100	220
26	9.57	65.09	21.11	44.98	44.95	95.73	95.57	209.68
27	9.16	62.33	20.27	43.06	43	91.66	91.35	199.89
28	8.77	59.69	19.46	41.23	41.15	87.79	87.34	190.6
29	8.4	57.18	18.69	39.49	39.38	84.1	83.52	181.79
30	8.05	54.79	17.96	37.83	37.7	80.58	79.89	173.42
31	7.71	52.51	17.26	36.25	36.1	77.23	76.44	165.48
32	7.39	50.33	16.58	34.74	34.58	74.03	73.14	157.93
33	7.09	48.26	15.94	33.31	33.13	70.98	70.01	150.77
34	6.8	46.28	15.33	31.94	31.74	68.08	67.02	143.96
35	6.52	44.4	14.74	30.64	30.43	65.3	64.18	137.49
36	6.25	42.6	14.18	29.4	29.17	62.65	61.47	131.34
37	6	40.88	13.64	28.21	27.97	60.13	58.88	125.49
38	5.76	39.24	13.13	27.08	26.83	57.71	56.42	119.93
39	5.53	37.67	12.64	26	25.74	55.41	54.07	114.64
40	5.31	36.17	12.17	24.97	24.7	53.21	51.83	109.61
41	5.1	34.74	11.72	23.98	23.71	51.1	49.69	104.82
42	4.9	33.38	11.29	23.04	22.76	49.09	47.65	100.26
43	4.71	32.07	10.87	22.14	21.86	47.17	45.71	95.92
44	4.53	30.82	10.48	21.28	20.99	45.34	43.85	91.79
45	4.35	29.63	10.1	20.46	20.17	43.58	42.08	87.85
46	4.19	28.49	9.73	19.68	19.38	41.9	40.38	84.1
47	4.03	27.4	9.39	18.93	18.63	40.3	38.77	80.53
48	3.87	26.35	9.05	18.21	17.91	38.76	37.22	77.13
49	3.73	25.36	8.73	17.52	17.22	37.29	35.74	73.88
50	3.59	24.4	8.42	16.86	16.56	35.88	34.33	70.79
51	3.45	23.48	8.13	16.23	15.93	34.53	32.98	67.84
52	3.33	22.61	7.84	15.63	15.33	33.24	31.69	65.03
53	3.2	21.77	7.57	15.06	14.75	32.01	30.46	62.34
54	3.09	20.96	7.31	14.5	14.2	30.82	29.28	59.78
55	2.97	20.19	7.06	13.97	13.67	29.69	28.15	57.33
56	2.87	19.45	6.82	13.47	13.16	28.6	27.07	55
57	2.76	18.75	6.59	12.98	12.68	27.56	26.04	52.77
58	2.66	18.07	6.37	12.52	12.21	26.56	25.05	50.65
59	2.57	17.42	6.15	12.07	11.77	25.6	24.1	48.61
60	2.48	16.79	5.95	11.64	11.34	24.68	23.2	46.67
61	2.39	16.19	5.75	11.23	10.93	23.8	22.33	44.82
62	2.31	15.62	5.56	10.84	10.54	22.96	21.5	43.04
63	2.23	15.07	5.38	10.46	10.17	22.15	20.7	41.35
64	2.15	14.54	5.2	10.09	9.8	21.37	19.94	39.73
65	2.08	14.03	5.03	9.75	9.46	20.62	19.21	38.18
66	2	13.54	4.87	9.41	9.13	19.9	18.5	36.7
67	1.94	13.08	4.71	9.09	8.81	19.21	17.83	35.28
68	1.87	12.63	4.56	8.78	8.5	18.55	17.19	33.92
69	1.81	12.19	4.42	8.48	8.21	17.91	16.57	32.62
70	1.75	11.78	4.28	8.2	7.93	17.3	15.97	31.38
71	1.69	11.38	4.14	7.92	7.66	16.71	15.4	30.19
72	1.63	11	4.01	7.66	7.4	16.15	14.86	29.05
73	1.58	10.63	3.89	7.41	7.14	15.61	14.33	27.96
74	1.53	10.27	3.77	7.16	6.9	15.09	13.83	26.91
75	1.48	9.93	3.65	6.93	6.67	14.58	13.34	25.91
76	1.43	9.6	3.54	6.7	6.45	14.1	12.88	24.95
77	1.38	9.29	3.43	6.49	6.24	13.64	12.43	24.03

Temperature characteristics, cont.

Part number	NRSE104 3950	NRSE224 3700	NRSE474 3950	NRSE474 4020	NRSE684 3950	NRSE105 3950	NRSE105 4120	NRSE225 4370
B type	B25/50	B25/50	B25/50	B25/50	B25/50	B25/50	B25/50	B25/50
Temperature (°C)	Resistance (kΩ)	Resistance (kΩ)	Resistance (kΩ)	Resistance (kΩ)	Resistance (kΩ)	Resistance (kΩ)	Resistance (kΩ)	Resistance (kΩ)
78	1.34	8.98	3.33	6.28	6.03	13.19	12	23.15
79	1.3	8.69	3.23	6.08	5.83	12.76	11.59	22.31
80	1.26	8.41	3.13	5.88	5.64	12.34	11.2	21.5
81	1.22	8.14	3.04	5.7	5.46	11.95	10.82	20.72
82	1.18	7.88	2.95	5.52	5.28	11.56	10.45	19.97
83	1.14	7.63	2.86	5.34	5.11	11.19	10.1	19.26
84	1.11	7.39	2.78	5.18	4.95	10.84	9.76	18.57
85	1.07	7.15	2.7	5.02	4.79	10.49	9.43	17.91
86	1.04	6.93	2.62	4.86	4.64	10.16	9.12	17.28
87	1.01	6.71	2.54	4.71	4.5	9.84	8.82	16.67
88	0.9762	6.5	2.47	4.57	4.36	9.54	8.53	16.09
89	0.9467	6.3	2.4	4.43	4.22	9.24	8.25	15.53
90	0.9183	6.11	2.33	4.3	4.09	8.95	7.98	14.99
91	0.8909	5.92	2.26	4.17	3.96	8.68	7.72	14.47
92	0.8644	5.74	2.2	4.04	3.84	8.41	7.48	13.97
93	0.8389	5.57	2.14	3.92	3.73	8.16	7.24	13.49
94	0.8143	5.4	2.08	3.81	3.61	7.91	7	13.04
95	0.7905	5.24	2.02	3.69	3.5	7.67	6.78	12.59
96	0.7675	5.08	1.97	3.58	3.4	7.44	6.57	12.17
97	0.7454	4.93	1.91	3.48	3.3	7.22	6.36	11.76
98	0.724	4.78	1.86	3.38	3.2	7	6.16	11.37
99	0.7033	4.64	1.81	3.28	3.1	6.8	5.97	10.99
100	0.6833	4.51	1.76	3.19	3.01	6.6	5.78	10.63
101	0.6639	4.37	1.71	3.1	2.93	6.4	5.61	10.28
102	0.6453	4.25	1.67	3.01	2.84	6.22	5.43	9.94
103	0.6272	4.13	1.62	2.92	2.76	6.04	5.27	9.61
104	0.6098	4.01	1.58	2.84	2.68	5.86	5.11	9.3
105	0.5929	3.89	1.54	2.76	2.6	5.69	4.95	9

Manual solder

+360 °C (2.5 seconds maximum by soldering iron, distance between soldering position and coating 10 mm minimum)

Life Support Policy: Eaton does not authorize the use of any of its products for use in life support devices or systems without the express written approval of an officer of the Company. Life support systems are devices which support or sustain life, and whose failure to perform, when properly used in accordance with instructions for use provided in the labeling, can be reasonably expected to result in significant injury to the user.

Eaton reserves the right, without notice, to change design or construction of any products and to discontinue or limit distribution of any products. Eaton also reserves the right to change or update, without notice, any technical information contained in this bulletin.

Eaton
Electronics Division
1000 Eaton Boulevard
Cleveland, OH 44122
United States
Eaton.com/electronics

© 2022 Eaton
All Rights Reserved
Printed in USA
Publication No. ELX1227 BU-ELX22087
July 2022

Eaton is a registered trademark.

All other trademarks are property of their respective owners.

Follow us on social media to get the latest product and support information.

