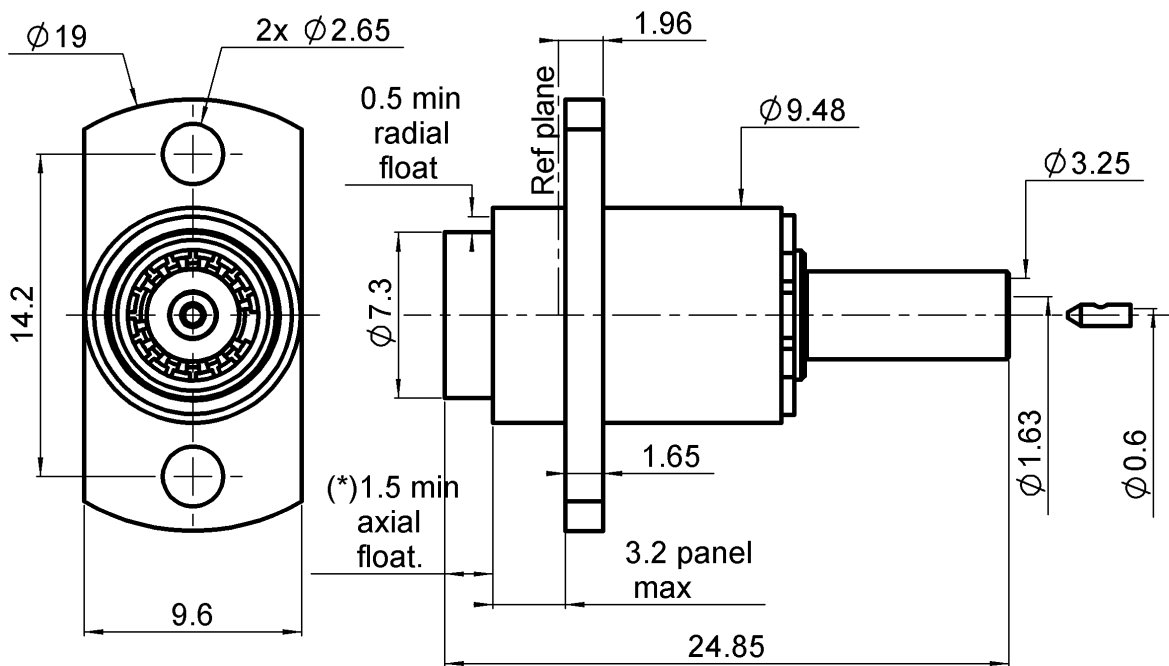
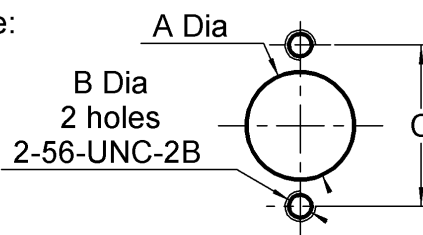


PAGE 1/2	ISSUE 19-10-15B	SERIES BMA-COM	PART NUMBER R128263707
----------	-----------------	----------------	------------------------

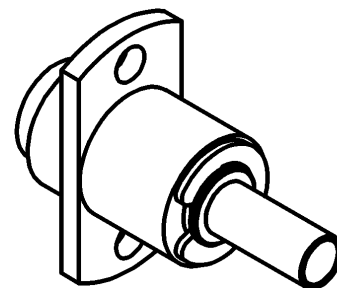
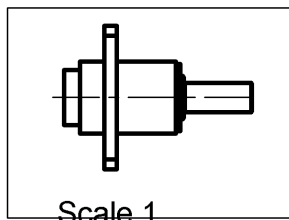


(*). Recommended axial float mount for best electrical performance: 0.51 +/- 0.25 mm (.020" +/- .010)

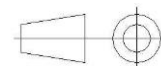
PANEL DRILLING



	maxi	mini
A	9.6	9.55
C	14.3	14.1



All dimensions are in mm.



COMPONENTS	MATERIALS	PLATING (µm)
Body	BRASS	BBR2
Center contact	BERYLLIUM COPPER, BRASS	NPGR
Outer contact	BERYLLIUM COPPER	NPGR
Insulator	PTFE	
Gasket	-	
Others parts	BRASS	BBR2
-	-	-
-	-	-

PAGE 2/2	ISSUE 19-10-15B	SERIES BMA-COM	PART NUMBER R128263707
-----------------	------------------------	-----------------------	-------------------------------

PACKAGING

Standard	Unit	Other
100	Contact us	Contact us

ELECTRICAL CHARACTERISTICS

Impedance	50	Ω
Frequency	0-12.4	GHz
VSWR	1.15 + 0,0150	x F(GHz) Maxi
Insertion loss	0.03	\sqrt{F} (GHz) dB Maxi
RF leakage	- (50)	- F(GHz)) dB Maxi
Voltage rating	335	Veff Maxi
Dielectric withstanding voltage	1000	Veff mini
Insulation resistance	5000	M Ω mini

MECHANICAL CHARACTERISTICS

Center contact retention		
Axial force – Mating End	18	N mini
Axial force – Opposite end	18	N mini
Torque	NA	N.cm mini
Recommended torque		
Mating	NA	N.cm
Panel nut	NA	N.cm
Clamp nut	NA	N.cm
A/F clamp nut	0,0000	mm
Mating life	1000	Cycles mini
Weight	5,4100	g

ENVIRONMENTAL

Operating temperature	-55/+125	$^{\circ}\text{C}$
Hermetic seal	NA	Atm.cm3/s
Panel leakage	NA	

SPECIFICATION

CABLE ASSEMBLY

Stripping	a	b	c	d	e	f
mm	1,5	6,5	10	0	8,5	0

Assembly instruction: **Crimp 01**

Recommended cable(s)
RG 188
RG 316
KX22

Characteristics indicated on this data sheet are those that can be achieved with the highest performance cable. Intrinsic limitations of the cable may diminish the performance of the assembly

Cable retention

- pull off	110	N mini
- torque	NA	N.cm

TOOLING

Part Number	Description	Hexagon
R282235003	CRIMPING DIES M22520/5-03	
R282293000	CRIMPING TOOL M22520/5-01	
R282211000	CRIMPING TOOL	3.25

OTHER CHARACTERISTICS